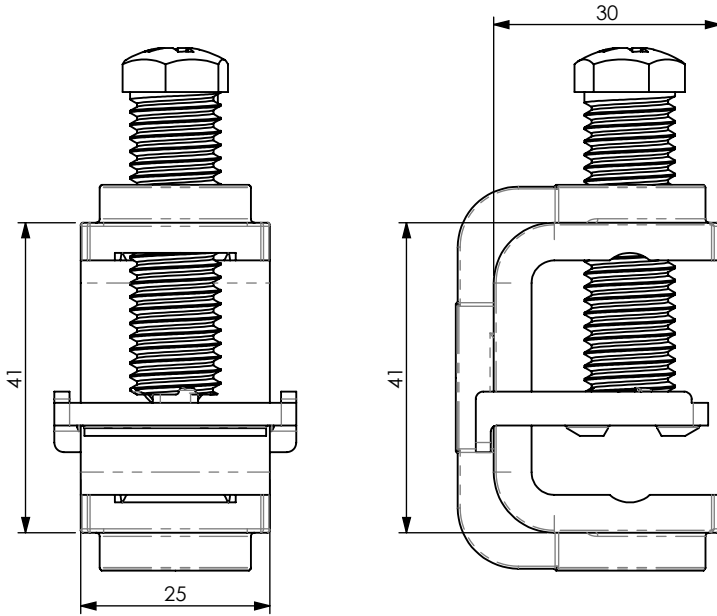


PRODUCT DATA SHEET



A) SPECIFICATIONS

- 1 Fiberglass P.A. M12 screw
- 2 Fiberglass P.A. bow
- 3 Fiberglass P.A. pressure plate

B) RESISTANCE TESTS

Operating temperature: -30°C +120°C

C) PACKAGING INFORMATION

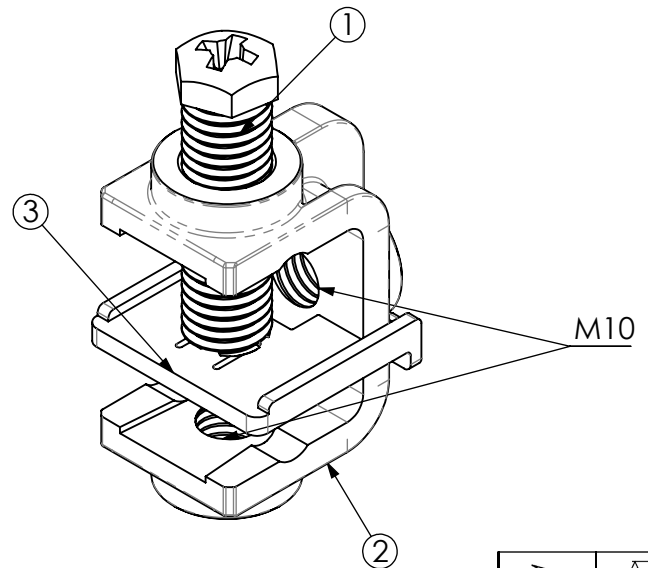
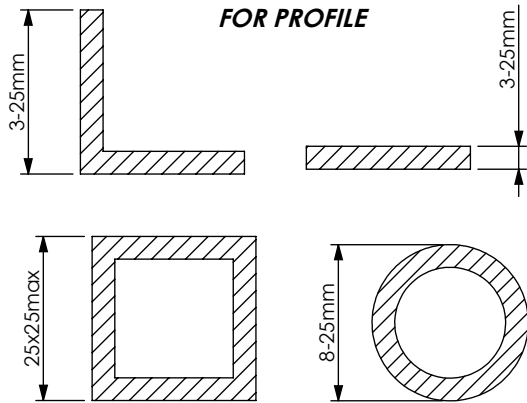
Packing in boxes.
Label indicating:
product code, article, quantity,
production batch,
FIMO logo and figure.
(Customer code on request).

D) INSTALLATION TORQUE

Tighten screw 1.0-1.2Nm
Max torque admitted 1.5Nm

E) MOUNTING INSTRUCTIONS

On request



code	6115232525.PA
article	MPM 10/25

20	0.05254kg.

RI	DATE	DR	DATE	AP	Description: MPM 10/25=mini clamp M10 -profile 8-25
02					
01					
00	27/02/24	G.S.	27/02/24	A.V.	
1 ST EMISSION					



Use:

Enbloc bidirectional mini clamp with a patented ribbed, self centring pressure plate and patented self-locking M12 screw