

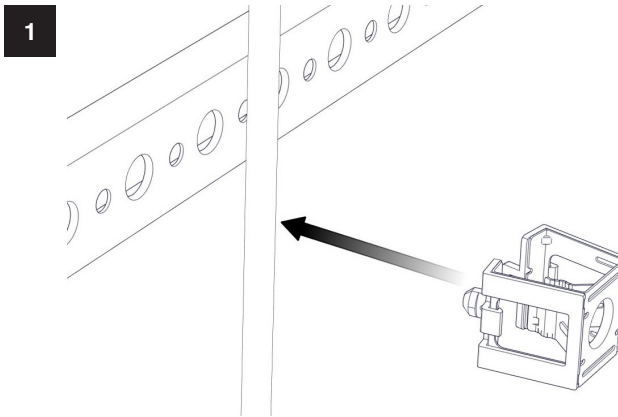
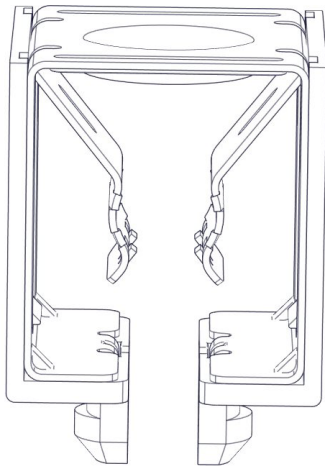
SIC H

Snap-In Clamp (Pat.)

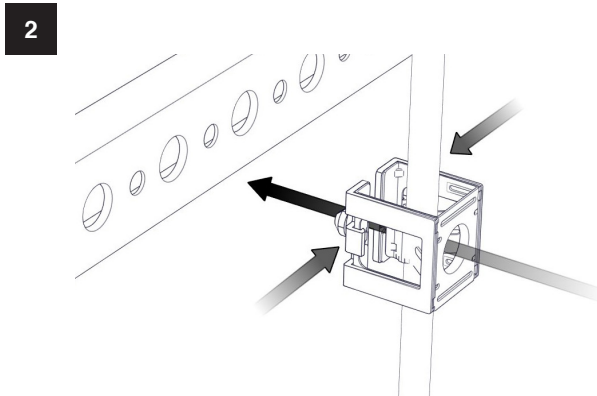
Copyright © Fi.Mo.Tec. S.p.A.
www.fimoworld.com

IST. 077 - REV. 0 - 01/19

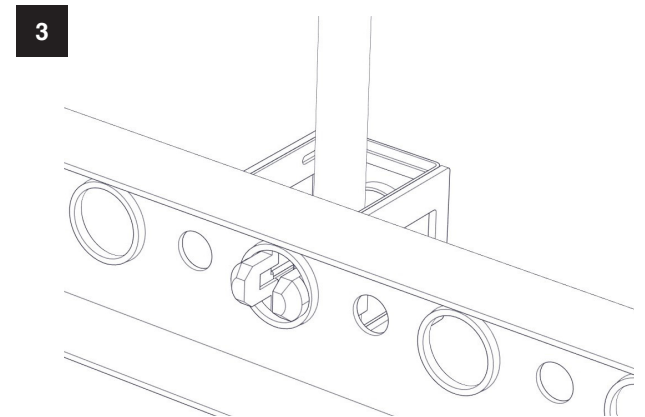
INSTALLATION INSTRUCTIONS



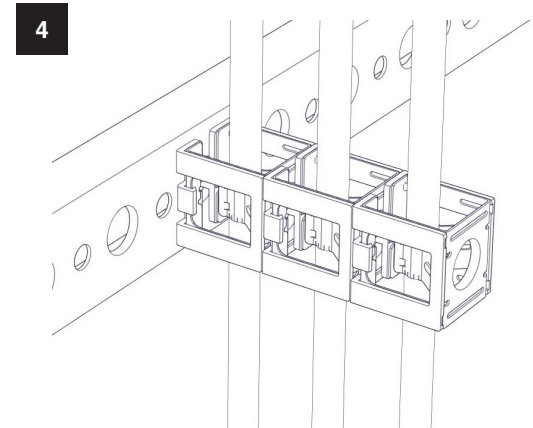
1
Insert Sic Snap-In clamp on the cable.



2
Press Sic Snap-In into hole.



3
Assure the correct hooking of the tabs.



4
Add further Snap-In clamps (up to 3 pcs).



WARNINGS!

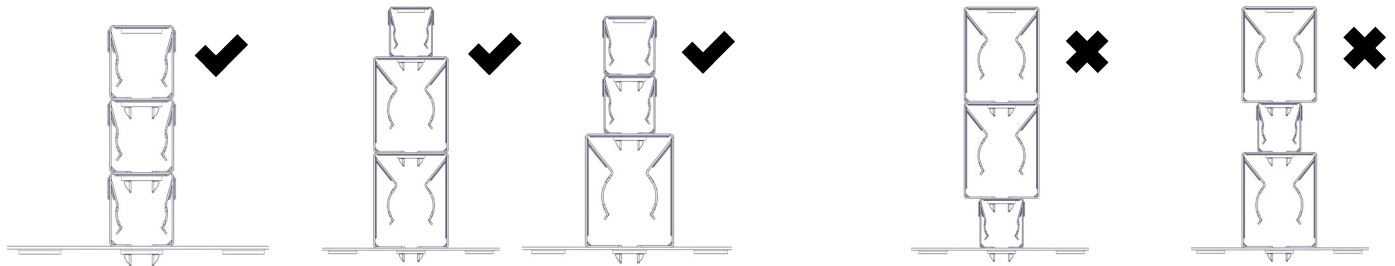
Installation of products must be performed by qualified, trained and experienced personnel. Installation personnel must be correctly and safely equipped. Mounting instructions and warnings must be read prior to installation. Warnings alert you to possible dangers about improper use of product. Failure to observe warnings may result in injury or death to you or others.



Fi.Mo.Tec. S.p.A. is certified ISO 9001 and RoHS DIRECTIVES compliant.

All rights reserved. Passing on and copying of this document, use and communication of its contents not permitted without Fi.Mo.Tec. S.p.A. prior consent.

POSSIBLE COMBINATIONS



Snap-In clamp wings are provided of anti-rotation pins. Avoid SIC rotation around the cable. Do not strip power cables to avoid electrical risk or damaging cables. Do not use clamp for different purposes.



MANUFACTURER DISCLAIMS ANY LIABILITY AND RESPONSIBILITY FOR IMPROPER USE. INSTALL USING PROPER SECURITY DEVICES.