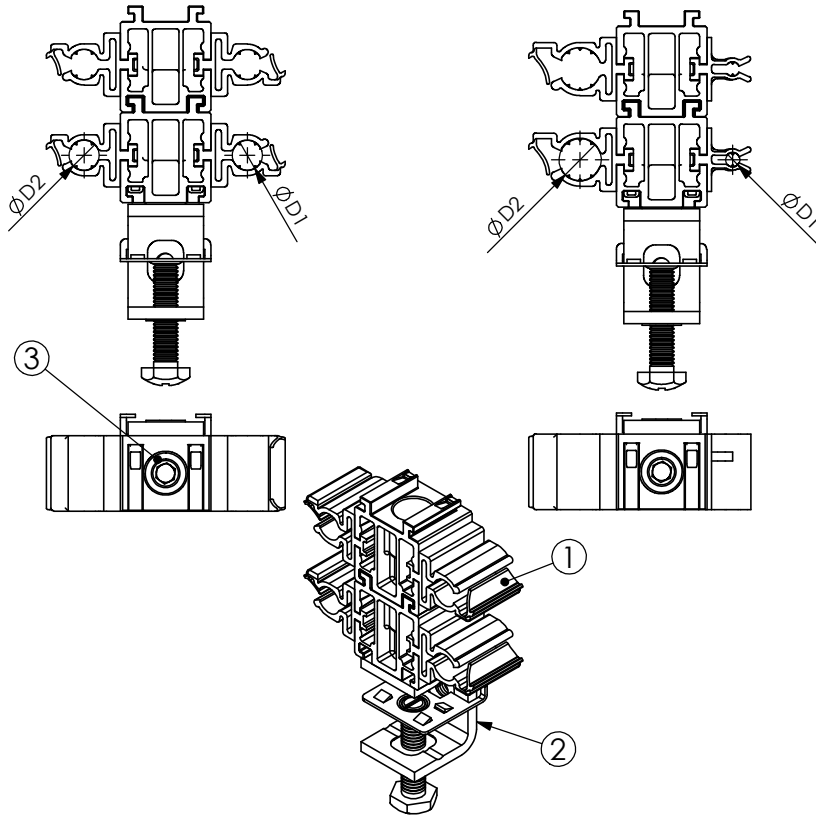


PRODUCT DATA SHEET



A) SPECIFICATIONS

- 1 No-tools stackable double saddle
P.A. U.V. resistant
(-30 +120°C)
- 2 Stainless steel MIM 8 Clamp
- 3 Stainless steel screw M8

B) RESISTANCE TESTS

Operating temperature: -30 +120°C
Installation temperature: 0 +70°C

C) PACKAGING INFORMATION

Packing in boxes.
Label indicating:
product code, article, quantity,
production batch,
FIMO logo and figure.
(Customer code on request).

D) MOUNTING INSTRUCTIONS

On request

SDC M/2					
CODE	ARTICLE	Ø D1	Ø D2	BOX	WEIGHT
Standard Line					
6125900407	SDC M 1x7+1x7/2	5 - 7	5 - 7	20	142
6125900410	SDC M 1x10+1x10/2	7 - 10	7 - 10	20	142
6125900411	SDC M 1x11+1x11/2	8 - 11	8 - 11	20	142
6125900413	SDC M 1x13+1x13/2	10 - 13	10 - 13	20	142
6125900416	SDC M 1x16+1x16/2	13 - 16	13 - 16	20	142
6125900417	SDC M 1x17+1x17/2	14 - 17	14 - 17	20	142
6125900420	SDC M 1x20+1x20/2	17 - 20	17 - 20	20	142
Hybrid Saddles					
6125900026	SDC M 1x13+1x10/2	10 - 13	7 - 10	20	142
6125900012	SDC M 1x17+1x7/2	14 - 17	5 - 7	20	142
6125900027	SDC M 1x20+1x11/2	17 - 20	8 - 11	20	142

RI	DATE	DR	DATE	AP	Description: SDC M / 2 No-tools stackable double saddle + MIM 8 Clamp. Fixing of fiber optic and power cables on flats, rounds and angular.
02					
01	05/10/18	G.S.	05/10/18	A.V.	
	UPGRADE				
00	09/05/2017	E.B.	09/05/2017	A.V.	
1 ST EMISSION					