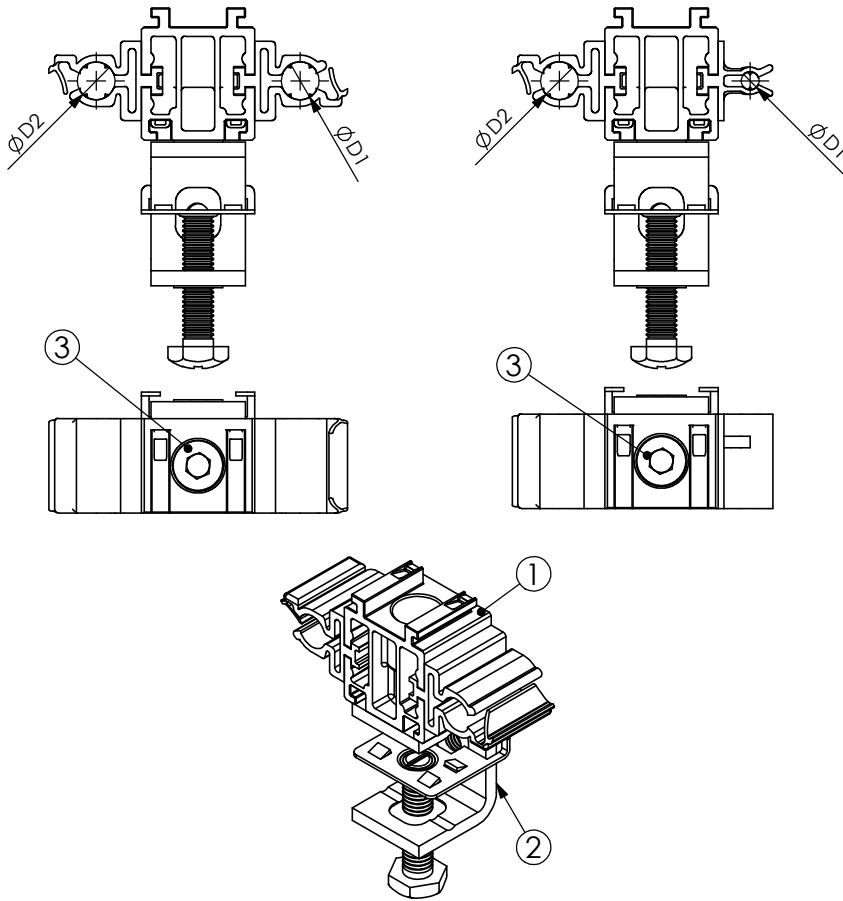


# PRODUCT DATA SHEET



## A) SPECIFICATIONS

- 1 No-tools stackable double saddle  
P.A. U.V. resistant  
(-30 +120°C)
- 2 Stainless steel MIM 8 Clamp
- 3 Stainless steel screw M8

## B) RESISTANCE TESTS

Operating temperature: -30 +120°C  
Installation temperature: 0 +70°C

## C) PACKAGING INFORMATION

Packing in boxes.  
Label indicating:  
product code, article, quantity,  
production batch,  
FIMO logo and figure.  
( Customer code on request ).

## D) MOUNTING INSTRUCTIONS

On request

### SDC M

CODE	ARTICLE	Ø D1	Ø D2	BOX	WEIGHT
Standard Line					
6125900207	SDC M 1x7+1x7	5 - 7	5 - 7	20	120
6125900210	SDC M 1x10+1x10	7 - 10	7 - 10	20	120
6125900211	SDC M 1x11+1x11	8 - 11	8 - 11	20	120
6125900213	SDC M 1x13+1x13	10 - 13	10 - 13	20	120
6125900216	SDC M 1x16+1x16	13 - 16	13 - 16	20	120
6125900217	SDC M 1x17+1x17	14 - 17	14 - 17	20	120
6125900220	SDC M 1x20+1x20	17 - 20	17 - 20	20	120
Hybrid Saddles					
6125900024	SDC M 1x13+1x10	10 - 13	7 - 10	20	120
6125900011	SDC M 1x17+1x7	14 - 17	5 - 7	20	120
6125900025	SDC M 1x20+1x11	17 - 20	8 - 11	20	120

RI	DATE	DR	DATE	AP	Description:  <b>SDC M</b>  No-tools stackable double saddle + MIM 8 Clamp. Fixing of fiber optic and power cables on flats, rounds and angular.
02					
01	05/10/18	G.S.	05/10/18	A.V.	
	UPGRADE				
00	09/05/2017	E.B.	09/05/2017	A.V.	
1 <sup>ST</sup> EMISSION					