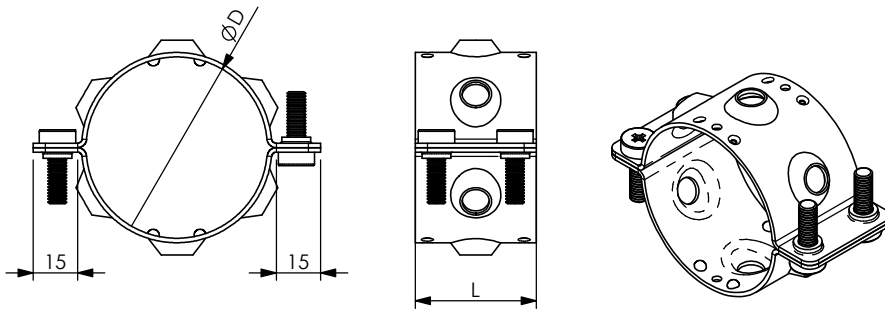


# PRODUCT DATA SHEET



## A) SPECIFICATIONS

Stainless steel

## B) RESISTANCE TESTS

UV Test BS-ISO 105-B06

Vibration test conforming to UNI 60068-2-6

## C) PACKAGING INFORMATION

Packing in boxes.



Label indicating:  
product code, article, quantity,  
production batch,  
FIMO logo and figure.

( Customer code on request ).

## D) MOUNTING INSTRUCTIONS

On request

CODE	ARTICLE	D	BAG	BOX	WEIGHT
61 1516 0060	GOP 60	2" = 60 mm	10	50	130
61 1516 0076	GOP 76	2.1/2" = 76 mm	10	50	160
61 1516 0090	GOP 90	3" = 90 mm	10	50	187
61 1516 0114	GOP 114	4" = 114 mm	10	50	210
61 1516 0140	GOP 140	5" = 140 mm	10	50	265

RI	DATE	DR	DATE	AP	Description:
02					<b>GOP - Pole collar</b>
01					
00	29/01/16	G.S.	29/01/16	A.V.	Use:
1 <sup>ST</sup> EMISSION					
					
					Collar with 6 holes. Allows installation of <b>MEM</b> brackets, <b>GO</b> collars, <b>UCO</b> and <b>RF Q</b> clamps, <b>APM</b> adaptors and <b>STM</b> stirrups. The two shells are connected by M6 screws.