

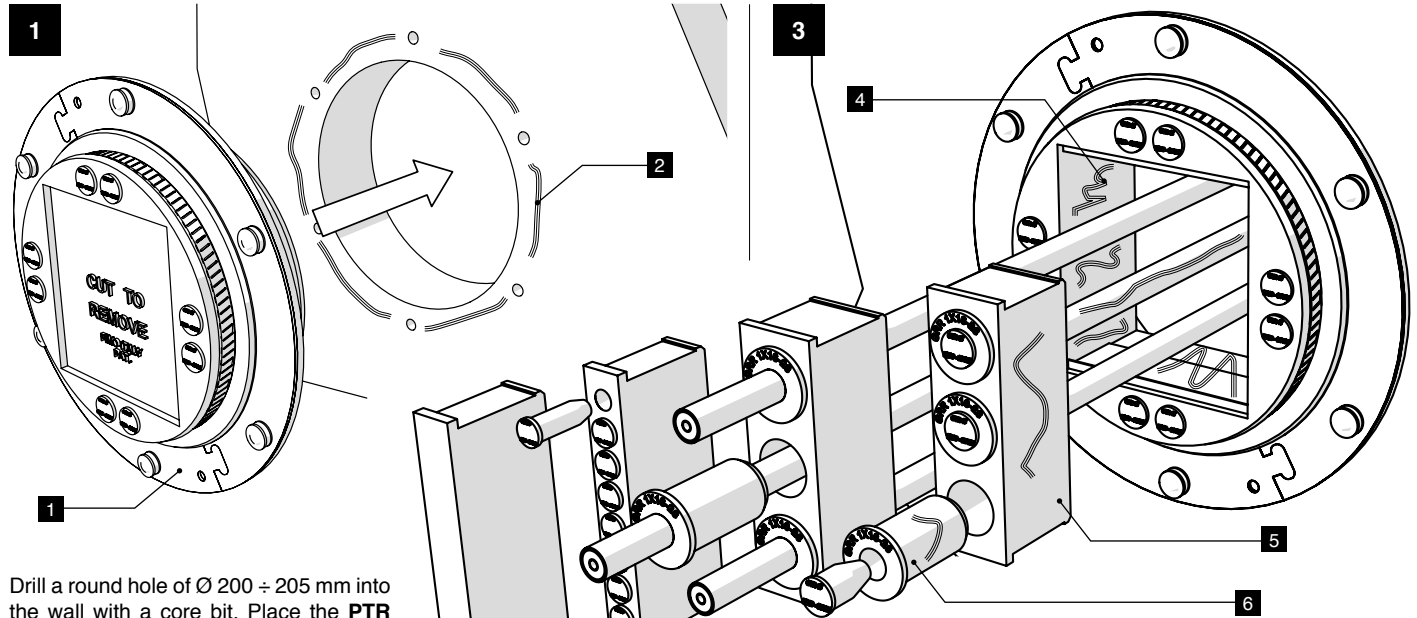
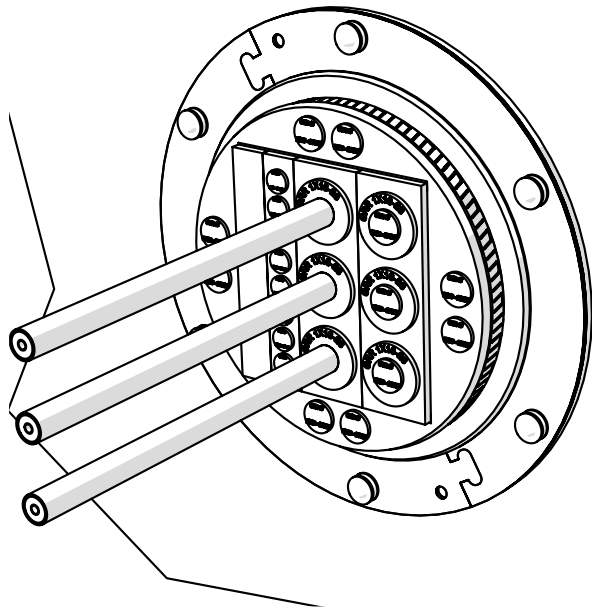
PTR 200/120 SQ

Wall Entries

Copyright © Fi.Mo.Tec. S.p.A.
www.fimoworld.com

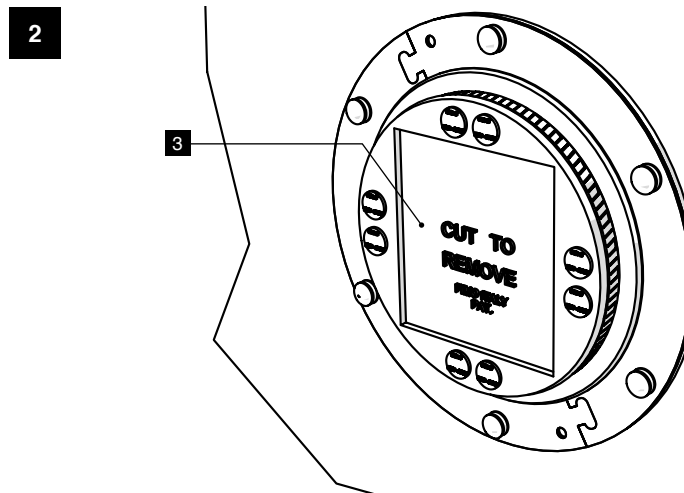
IST. 048 - REV. 0 - 01/15

INSTALLATION INSTRUCTIONS

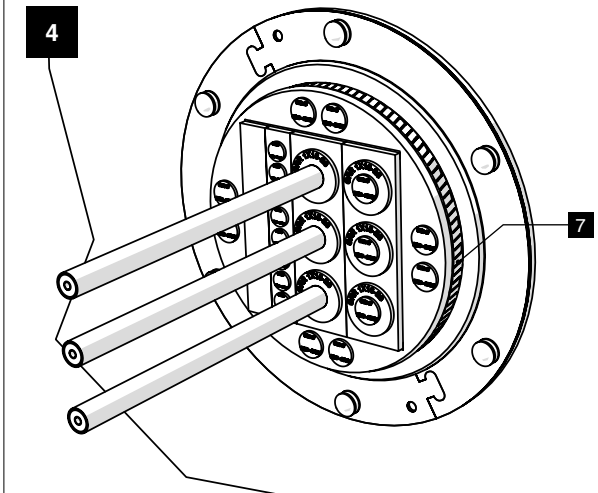


Drill a round hole of $\varnothing 200 \div 205$ mm into the wall with a core bit. Place the PTR (1) in the right position and fix it to the wall. Should the wall surface be rough, put some BUT 6 (2) butilic putty or some silicone grease between wall and PTR.

Carefully lubricate the inside PTR wall entry surfaces with LUS 8 (4) silicone grease. Spread some LUS 8 on the cables and on the inside and outside surfaces of the GPR (5) cushions and slide them onto the cables. Complete the wall entry with additional GRR (6) cushions. Suitable reductions GRR for smaller cables are available.



Remove the temporary protection sheet (3).



For the final sealing, tightly lock the stainless steel hose clamp (7).



⚠ WARNINGS!

Installation of products must be performed by qualified, trained and experienced personnel. Installation personnel must be correctly and safely equipped. Mounting instructions and warnings must be read prior to installation. Warnings alert you to possible dangers about improper use of product. Failure to observe warnings may result in injury or death to you or others.



Fi.Mo.Tec. S.p.A.
is certificated ISO 9001
and RoHS DIRECTIVES
compliant.



All rights reserved.
Passing on and copying of
this document, use and communication of its contents
not permitted without Fi.Mo.
Tec. S.p.A. prior consent.

