

PRODUCT DATA SHEET

A) SPECIFICATIONS

Stainless steel

B) RESISTANCE TESTS

UV Test BS-ISO 105-B06

Vibration test conforming to UNI 60068-2-6

C) PACKAGING INFORMATION

Packing in boxes.

Label indicating:

product code, article, quantity,

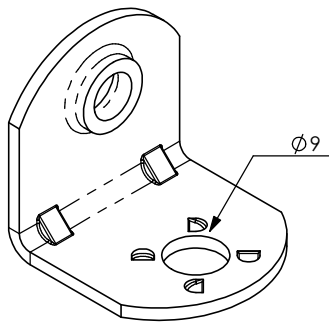
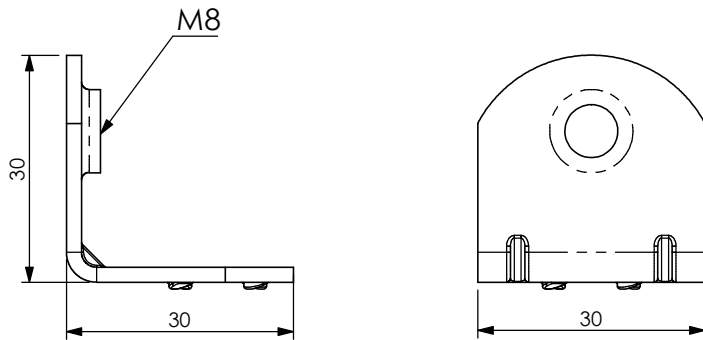
production batch,



FIMO logo and figure.

(Customer code on request).

D) MOUNTING INSTRUCTIONS

On request



RI	DATE	DR	DATE	AP	Description:	
02					ANG 8 - Angular	
01						
00	29/01/16	G.S.	29/01/16	A.V.		
1 ST EMISSION						
						Use:
					With M8 threaded hole and $\varnothing 9$ hole for installations on different FIMO components.	