

# PRODUCT DATA SHEET

## A) SPECIFICATIONS

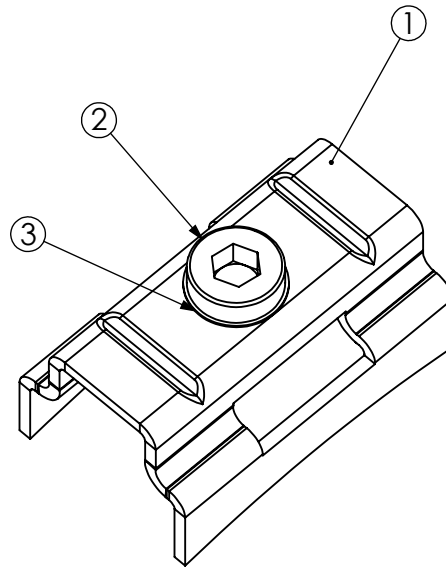
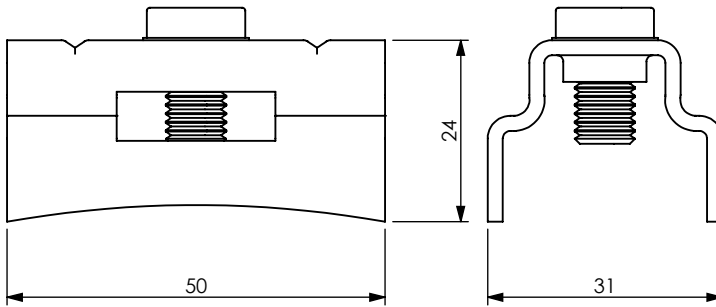
- 1 Stainless steel Socle
- 2 Stainless steel VCI 8x12 screw
- 3 Stainless steel REI 8 washer

## B) PACKAGING INFORMATION

Packing in boxes.  
Label indicating:  
product code, article, quantity,  
production batch,  
FIMO logo and figure.  
( Customer code on request ).

## C) MOUNTING INSTRUCTIONS

On request



code	<b>6118040020</b>
article	BAM 8

20	0.0548kg

RI	DATE	DR	DATE	AP	Description:
02					<b>BAM 8</b> SOCLE WITH SCREW
01					
00	28/01/2016	E.B.	28/01/2016	A.V.	
1 <sup>ST</sup> EMISSION					
					Use: Applied with SS Strips and Hose Clamps to poles and pylons, creates fastening points for subsequent installations