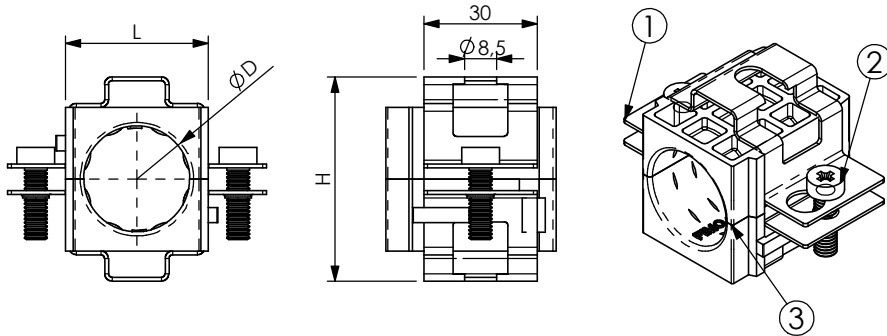


PRODUCT DATA SHEET



A) SPECIFICATIONS

- 1 Stainless steel shell SQUAI
- 2 Stainless steel screw VTI 6x20
- 3 SAS-SAT black P.A. fiberglass saddles

B) RESISTANCE TESTS

UV Test BS-ISO 105-B06
 Vibration test conforming to UNI 60068-2-6
 Operating temperature: -30°C +120°C

C) PACKAGING INFORMATION

Packing in boxes.
 Label indicating:
 product code, article, quantity,
 production batch,
 FIMO logo and figure.
 (Customer code on request).

D) MOUNTING INSTRUCTIONS

On request

CODE	ARTICLE	ØD	L	H	BOX	WEIGHT
61 1527 0011	RF Q 1x11	10 - 11	22	36	50	90
61 1527 0013	RF Q 1x13	12 - 13	22	36	50	90
61 1527 0014	RF Q 1x1/2"S (14)	13 - 14	22	36	50	90
61 1527 0038	RF Q 1x3/8" (16)	15 - 16	22	36	50	88
61 1527 0012	RF Q 1x1/2" (17)	16 - 17	22	36	50	86
61 1527 0058	RF Q 1x5/8" (23)	21 - 23	34	48	50	114
61 1527 0027	RF Q 1x7/8"S (27)	26 - 27	34	48	50	112
61 1527 0078	RF Q 1x7/8" (28)	27 - 28	34	48	50	110
61 1527 1178	RF Q 1x7/8 M (30)	29 - 30	34	48	50	108
61 1527 0118	RF Q 1x1.1/8" (38)	36 - 38	46	58	50	150
61 1527 0114	RF Q 1x1.1/4" (40)	39 - 40	46	58	50	150
61 1527 0148	RF Q 1x1.5/8"S (49)	48 - 49	58	68	25	187
61 1527 0158	RF Q 1x1.5/8" (52)	50 - 52	58	68	25	186
61 1527 0406	RF Q 4x6	5 - 6	22	36	50	110
61 1527 0408	RF Q 4x8	7 - 8	22	36	50	106
61 1527 0409	RF Q 4x9	8 - 9	22	36	50	102
61 1527 0411	RF Q 4x11	10 - 11	34	48	50	102
61 1527 0412	RF Q 4x1/2" (17)	16 - 17	46	58	50	130

RI	DATE	DR	DATE	AP	Description:
02					RF Q - Square Collar With SAS/SAT Calibrated Saddles
01					
00	05/10/15	G.S.	05/10/15	A.V.	
1 ST EMISSION					
Use:					The RF Q square collar is formed by two shells joined by cylindrical headed cross-slotted screws. The parts are pre-assembled and without any loose parts. A Ø 8,5 hole allows the installation of M8 screws. Combined with MAM , MBM , MCM and MIM multidirectional clamps, BAM socles or GOP round collar it allows fastenings on any structure with any orientation.