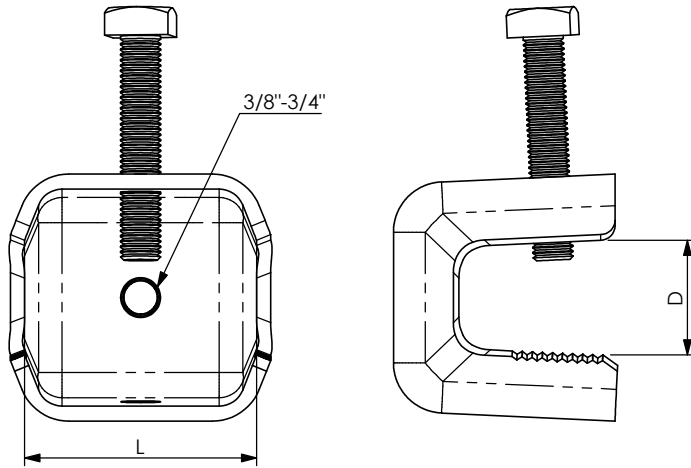


PRODUCT DATA SHEET



A) SPECIFICATIONS

Stainless steel

B) RESISTANCE TESTS

UV Test BS-ISO 105-B06

Vibration test conforming to UNI 60068-2-6

C) PACKAGING INFORMATION

Packing in boxes.

Label indicating:
product code, article, quantity,
production batch,
FIMO logo and figure.
(Customer code on request).

D) MOUNTING INSTRUCTIONS

On request

PICTURE	CODE	ARTICLE	D		L	FOR PROFILE	BAG	BOX	WEIGHT
			mm	in					
	61 1523 3038	MDM 3/8" V	3 - 22	.118 - .866	45		10	100	190
	61 1523 2019	MDM 3/4" S	3 - 22	.118 - .866	45		10	100	170
	61 1523 1938	MDM 3/8" I (includes IS 3/4" - 3/8")	3 - 22	.118 - .866	45		10	100	210

RI	DATE	DR	DATE	AP	Description: MDM - Clamps
02					
01					
00	17/06/2015	E.B.	17/06/2015	A.V.	
1 ST EMISSION					
					Use: Heavy Duty Enbloc bidirectional clamp with a 3/8" locking screw. Available version with 3/8" threaded holes and 3/4" holes, for universal usage. A specific reduction insert (IS 3/4" - 3/8") is foreseen for the version with 3/4" - 3/8" holes. The version with 3/4" holes can be used in combination with SIC clamps.