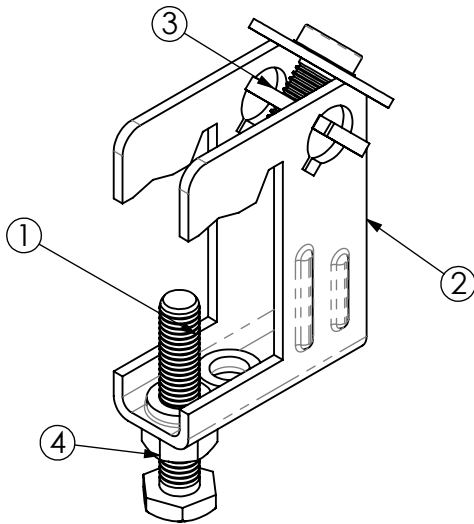
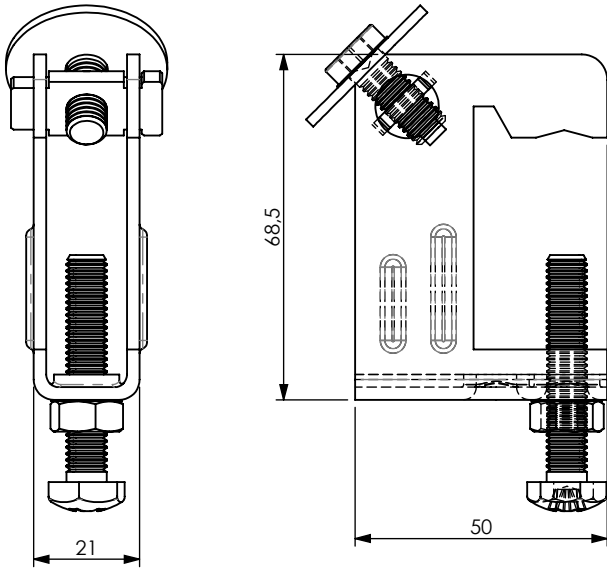


PRODUCT DATA SHEET



A) SPECIFICATIONS

- 1 Stainless steel VEI 8x45 screw
- 2 Stainless steel bow MAI 8
- 3 Stainless steel pressure plate PMBM 8
- 4 Exagonal nut DAI 8

B) RESISTANCE TESTS

UV Test BS-ISO 105-B06
Vibration test conforming to UNI 60068-2-6

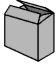

C) PACKAGING INFORMATION

Packing in boxes.
Label indicating:
product code, article, quantity,
production batch,
FIMO logo and figure.
(Customer code on request).

D) MOUNTING INSTRUCTIONS

On request

code	6115231140
article	MAM/8

	
20	0.1602kg.

RI	DATE	DR	DATE	AP	Description: MAM/8=multidirectional clamp 20-40
02					
01					
00	16/09/15	G.S.	16/09/15	A.V.	



Use: Multidirectional clamps, consisting of a stainless steel bow equipped with M8 screw+second M8 hole, allows hooking to various structures.