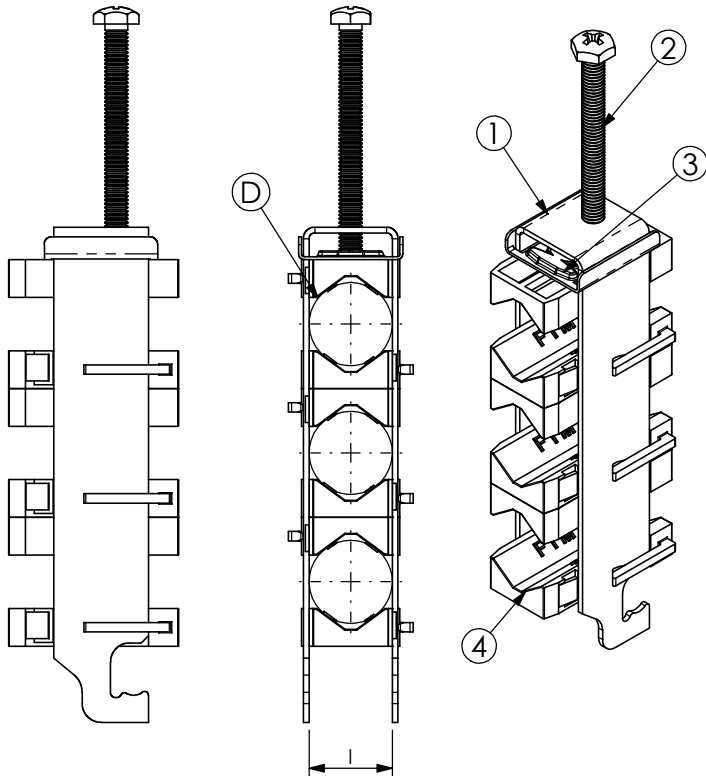


# PRODUCT DATA SHEET



## A) SPECIFICATIONS

- 1 Stainless steel bow  
Hooking on section 40x22mm, flat and round 3-12
- 2 Self-locking pressure screw M6
- 3 Stainless steel sliding pressure plate.
- 4 SEP black P.A. fiberglass saddles

## B) RESISTANCE TESTS

UV Test BS-ISO 105-B06  
Vibration test conforming to UNI 60068-2-6  
Operating temperature: -30°C +120°C

## C) PACKAGING INFORMATION

Packing in boxes.  
Label indicating:  
product code, article, quantity,  
production batch,  
FIMO logo and figure.  
( Customer code on request ).

## D) MOUNTING INSTRUCTIONS

IST026

CODE	ARTICLE	Nº CABLES	L	Ø CABLES	BOX	WEIGHT
60 1518 0820	OX E / 3 x 12	3	12	6 - 12	100	65
60 1518 0822	OX E / 3 x 22	3	22	12 - 22	100	112
60 1518 0824	OX E / 3 x 34	3	34	22 - 34	100	198

RI	DATE	DR	DATE	AP	Description:
02					Stainless cable clamps type OX E For 3 coaxial cables, complete with 6 saddles. For articles see schedule.
01					
00	29/01/16	G.S.	29/01/16	A.V.	
1 <sup>ST</sup> EMISSION					
					Use: Fastening of 3 coaxial cables Hooking on section 40x22mm, flat an round 3-12mm