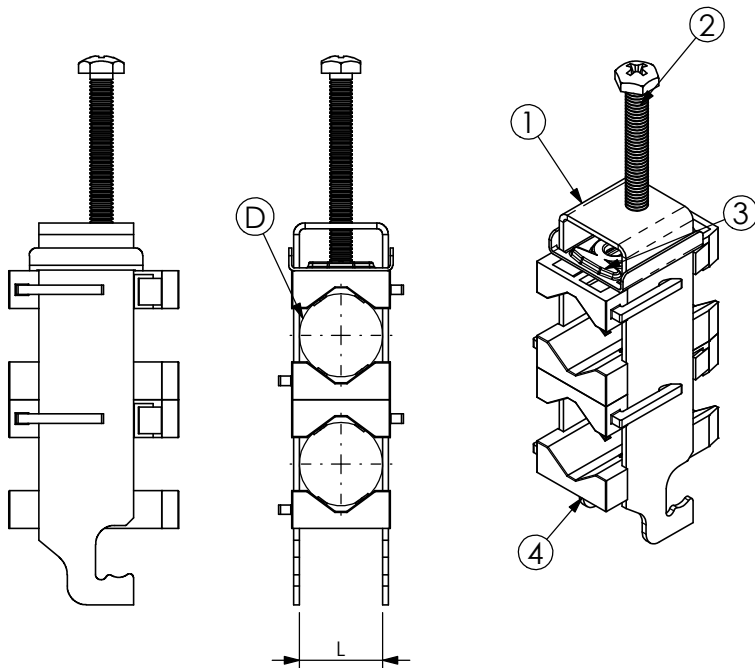


PRODUCT DATA SHEET



A) SPECIFICATIONS

- 1 Stainless steel bow
Hooking on section 40x22mm, flat and round 3-12
- 2 Self-locking pressure screw M6
- 3 Stainless steel sliding pressure plate.
- 4 SEP black P.A. fiberglass saddles

B) RESISTANCE TESTS

UV Test BS-ISO 105-B06
 Vibration test conforming to UNI 60068-2-6
 Operating temperature: -30°C +120°C

C) PACKAGING INFORMATION

Packing in boxes.
 Label indicating:
 product code, article, quantity,
 production batch,
 FIMO logo and figure.
 (Customer code on request).

D) MOUNTING INSTRUCTIONS

IST026

CODE	ARTICLE	N° CABLES	L	ø CABLES	BOX	WEIGHT
60 1518 0814	OX E / 2 x 12	2	12	6 - 12	100	52
60 1518 0816	OX E / 2 x 22	2	22	12 - 22	100	82
60 1518 0818	OX E / 2 x 34	2	34	22 - 34	100	148

RI	DATE	DR	DATE	AP	Description:	
02					Stainless cable clamps type OX E For 2 coaxial cables, complete with 4 saddles. For articles see schedule.	
01						
00	29/01/16	G.S.	29/01/16	A.V.		
1 ST EMISSION						
						Use: Fastening of 2 coaxial cables. Hooking on section 40x22mm, flat and round 3-12mm