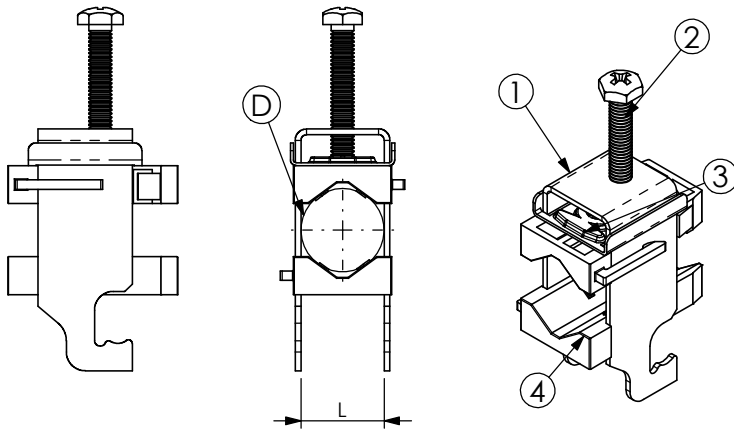


PRODUCT DATA SHEET



A) SPECIFICATIONS

- 1 Stainless steel bow
Hooking on section 40x22mm, flat and round 3-12
- 2 Self-locking pressure screw M6
- 3 Stainless steel sliding pressure plate.
- 4 SEP black P.A. fiberglass saddles

B) RESISTANCE TESTS

UV Test BS-ISO 105-B06
Vibration test conforming to UNI 60068-2-6
Operating temperature: -30°C +120°C

C) PACKAGING INFORMATION

Packing in boxes.
Label indicating:
product code, article, quantity,
production batch,
FIMO logo and figure.
(Customer code on request).

D) MOUNTING INSTRUCTIONS

IST026

| CODE | ARTICLE | N° CABLES | L | ∅ CABLES | BOX | WEIGHT |
|--------------|---------------|-----------|----|----------|-----|--------|
| 60 1518 0801 | OX E / 1 x 12 | 1 | 12 | 6 - 12 | 100 | 40 |
| 60 1518 0803 | OX E / 1 x 22 | 1 | 22 | 12 - 22 | 100 | 56 |
| 60 1518 0805 | OX E / 1 x 34 | 1 | 34 | 22 - 34 | 100 | 92 |
| 60 1518 0807 | OX E / 1 x 46 | 1 | 46 | 34 - 46 | 50 | 122 |
| 60 1518 0809 | OX E / 1 x 58 | 1 | 58 | 46 - 58 | 50 | 146 |
| 60 1518 0811 | OX E / 1 x 70 | 1 | 70 | 58 - 70 | 50 | 164 |

| RI | DATE | DR | DATE | AP | Description: |
|--------------------------|----------|------|----------|------|---|
| 02 | | | | | Stainless cable clamps type OX E For 1 coaxial cable, complete with 2 saddles. For articles see schedule. |
| 01 | | | | | |
| 00 | 29/01/16 | G.S. | 29/01/16 | A.V. | |
| 1 ST EMISSION | | | | | |
| | | | | | Use: Fastening of 1 coaxial cable. Hooking on section 40x22mm, flat an round 3-12mm |