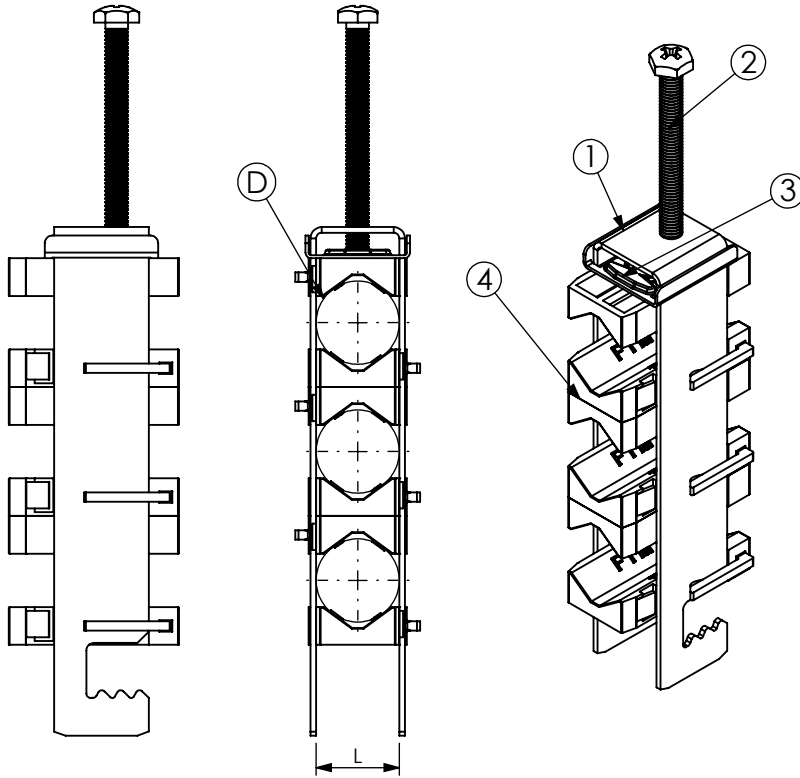


PRODUCT DATA SHEET



A) SPECIFICATIONS

- 1 Stainless steel bow
Hooking on 3-12mm flat and round
- 2 Self-locking pressure screw M6
- 3 Stainless steel sliding pressure plate.
- 4 SEP black P.A. fiberglass saddles

B) RESISTANCE TESTS

UV Test BS-ISO 105-B06
Vibration test conforming to UNI 60068-2-6
Operating temperature: -30°C +120°C

C) PACKAGING INFORMATION

Packing in boxes.
Label indicating:
product code, article, quantity,
production batch,
FIMO logo and figure.
(Customer code on request).

D) MOUNTING INSTRUCTIONS

IST026

CODE	ARTICLE	N° CABLES	L	∅ CABLES	BOX	WEIGHT
60 1513 0860	OX B / 3 x 12	3	12	6 - 12	100	73
60 1513 0862	OX B / 3 x 22	3	22	12 - 22	100	122
60 1513 0864	OX B / 3 x 34	3	34	25 - 34	50	238
60 1513 0864.01	OX B / 3 x 34	3	34	18 - 25	50	206

RI	DATE	DR	DATE	AP	Description:
02					Stainless cable clamps type OX B For 3 coaxial cables, complete with 6 saddles. For articles see schedule.
01	12/06/23	G.S.	12/06/23	A.V.	
	UPDATED				
00	31/08/16	G.S.	31/08/16	A.V.	
1 ST EMISSION					Use:
					Fastening of 3 coaxial cables. Hooking on 3-12mm flat and round