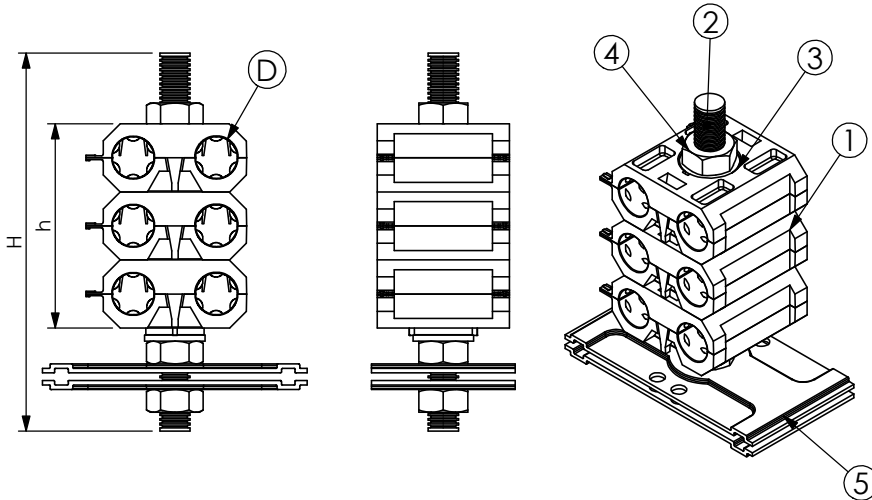


PRODUCT DATA SHEET



A) SPECIFICATIONS

- 1 Calibrated double black saddles made in PA.66
- 2 Stainless steel threaded bar BFI M8
- 3 Stainless steel flat Washer RPI 8/16
- 4 Stainless steel hexagonal nut DAI 8
- 5 Stainless steel pressure plate PUC 70

B) RESISTANCE TESTS

UV Test BS-ISO 105-B06
 Vibration test conforming to UNI 60068-2-6
 Operating temperature: -30°C +120°C

C) PACKAGING INFORMATION

Packing in boxes.
 Label indicating:
 product code, article, quantity,
 production batch,
 FIMO logo and figure.
 (Customer code on request).

D) MOUNTING INSTRUCTIONS

On request

CODE	ARTICLE	ø D	h	H	BOX	WEIGHT
61 1574 0607	MCL 6x7	5 - 7	100	48	20	110
61 1574 0609	MCL 6x9	7 - 9	100	55.5	20	110
61 1574 0611	MCL 6x11	9 - 11	100	55.5	20	110
61 1574 0614	MCL 6x14	11 - 14	100	55.5	20	143
61 1574 0612	MCL 6x1/2"	14 - 17	125	72	20	131
61 1574 0620	MCL 6x20	17 - 20	150	99	20	215

RI	DATE	DR	DATE	AP	Description:
02					MCL - Mini clamps type MCO+2 PUC 70 steel pressure plate
01					
00	29/01/16	G.S.	29/01/16	A.V.	
1 ST EMISSION					
					Use: Fastening of 6 cables on steel wire cable trays