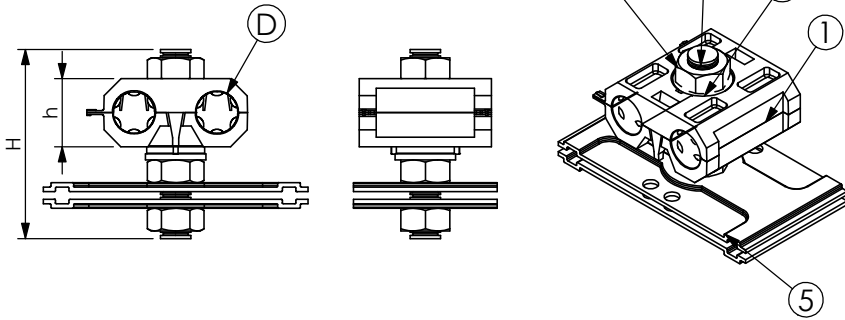


PRODUCT DATA SHEET



A) SPECIFICATIONS

- 1 Calibrated double black saddles made in PA.66
- 2 Stainless steel threaded bar BFI M8
- 3 Stainless steel flat Washer RPI 8/16
- 4 Stainless steel hexagonal nut DAI 8
- 5 Stainless steel pressure plate PUC 70

B) RESISTANCE TESTS

UV Test BS-ISO 105-B06
 Vibration test conforming to UNI 60068-2-6
 Operating temperature: -30°C +120°C

C) PACKAGING INFORMATION

Packing in boxes.
 Label indicating:
 product code, article, quantity,
 production batch,
 FIMO logo and figure.
 (Customer code on request).

D) MOUNTING INSTRUCTIONS

On request

CODE	ARTICLE	ø D	h	H	BOX	WEIGHT
61 1574 0207	MCL 2x7	5 - 7	50	18.5	20	62
61 1574 0209	MCL 2x9	7 - 9	50	18.5	20	62
61 1574 0211	MCL 2x11	9 - 11	50	18.5	20	62
61 1574 0214	MCL 2x14	11 - 14	50	24	20	72
61 1574 0212	MCL 2x1/2"	14 - 17	50	24	20	68
61 1574 0220	MCL 2x20	17 - 20	50	33	20	95

RI	DATE	DR	DATE	AP	Description:	
02					MCL - Mini clamps type MCO+2 PUC 70 steel pressure plate	
01						
00	29/01/16	G.S.	29/01/16	A.V.		
1 ST EMISSION						
						Use: Fastening of 2 cables on steel wire cable trays