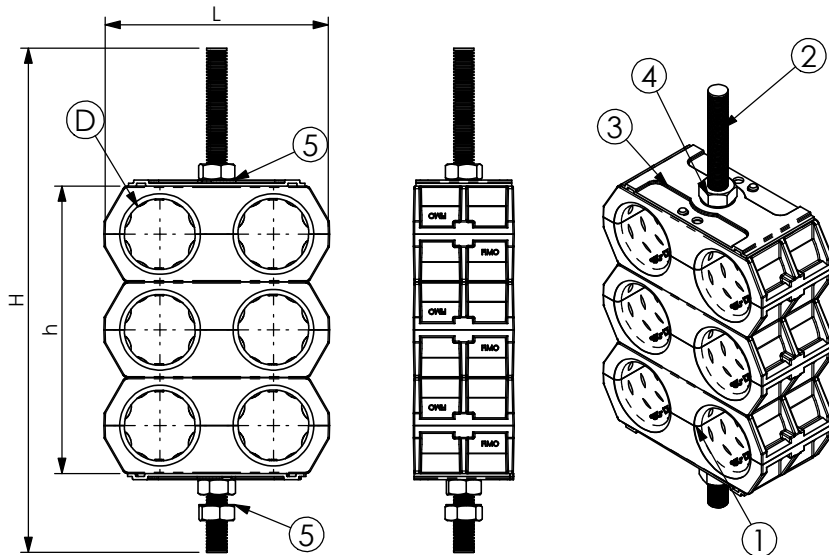


# PRODUCT DATA SHEET



## A) SPECIFICATIONS

- 1 Calibrated twin black saddles made in H.D.P.E
- 2 Stainless steel threaded bar BFI M8
- 3 Stainless steel pressure plate PRUC
- 4 Stainless steel hexagonal nut DAI 8
- 5 Stainless steel flat Washer REI 8

## B) RESISTANCE TESTS

UV Test BS-ISO 105-B06  
 Vibration test conforming to UNI 60068-2-6  
 Operating temperature: -30°C +120°C

## C) PACKAGING INFORMATION

Packing in boxes.  
 Label indicating:  
 product code, article, quantity,  
 production batch,  
 FIMO logo and figure.  
 ( Customer code on request ).

## D) MOUNTING INSTRUCTIONS

On request

CODE	ARTICLE	∅ D	L	h	H	BOX	WEIGHT
61 1559 0609	UCO/ 6x9	8 - 9	56	125	63	20	155
61 1559 0611	UCO/ 6x11	10 - 11	56	125	63	20	155
61 1559 0613	UCO/ 6x13	12 - 13	68	150	81	20	200
61 1559 0614	UCO/ 6x1/2" S (14)	13 - 14	68	150	81	20	200
61 1559 0638	UCO/ 6x3/8" (16)	15 - 16	68	150	81	20	200
61 1559 0612	UCO/ 6x1/2" (17)	16 - 17	68	150	81	20	200
61 1559 0658	UCO/ 6x5/8" (23)	21 - 23	90	200	114	20	305
61 1559 0678	UCO/ 6x7/8" (28)	27 - 28	90	200	114	20	305
61 1559 6114	UCO/ 6x1.1/4" (40)	39 - 40	114	250	150	20	380
61 1559 6148	UCO/ 6x1.5/8" S (49)	48 - 49	137	300	198	20	526
61 1559 6158	UCO/ 6x1.5/8" (52)	50 - 52	137	300	198	20	520

RI	DATE	DR	DATE	AP	Description:
02					UCO - Twin cable clamp with SAB saddle M8 threaded bar+nuts+washers
01					
00	03/11/2015	G.S.	03/11/2015	A.V.	
1 <sup>ST</sup> EMISSION					
					Use: Fastening of 6 cables on flat iron with holes