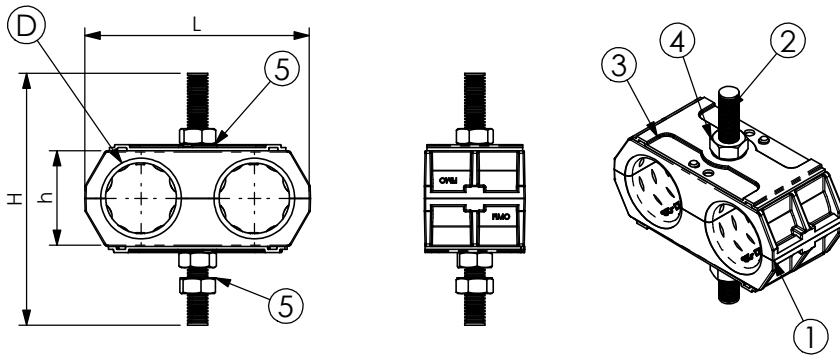


PRODUCT DATA SHEET



A) SPECIFICATIONS

- 1 Calibrated twin black saddles made in H.D.P.E
- 2 Stainless steel threaded bar BFI M8
- 3 Stainless steel pressure plate PRUC
- 4 Stainless steel hexagonal nut DAI 8
- 5 Stainless steel flat Washer REI 8

B) RESISTANCE TESTS

UV Test BS-ISO 105-B06
 Vibration test conforming to UNI 60068-2-6
 Operating temperature: -30°C +120°C

C) PACKAGING INFORMATION

Packing in boxes.
 Label indicating:
 product code, article, quantity,
 production batch,
 FIMO logo and figure.
 (Customer code on request).

D) MOUNTING INSTRUCTIONS

On request

CODE	ARTICLE	ø D	L	h	H	BOX	WEIGHT
61 1559 0209	UCO/ 2x9	8 - 9	56	75	21	20	95
61 1559 0211	UCO/ 2x11	10 - 11	56	75	21	20	95
61 1559 0213	UCO/ 2x13	12 - 13	68	75	27	20	100
61 1559 0214	UCO/ 2x1.2" S (14)	13 - 14	68	75	27	20	100
61 1559 0238	UCO/ 2x3/8" (16)	15 - 16	68	75	27	20	100
61 1559 0212	UCO/ 2x1.2" (17)	16 - 17	68	75	27	20	100
61 1559 0258	UCO/ 2x5/8" (23)	21 - 23	90	100	38	20	155
61 1559 0278	UCO/ 2x7/8" (28)	27 - 28	90	100	38	20	155
61 1559 2118	UCO/ 2x1.1/8" (38)	36 - 38	114	150	54	20	200
61 1559 2114	UCO/ 2x1.1/4" (40)	39 - 40	114	150	54	20	200
61 1559 2148	UCO/ 2x1.5/8" S (49)	48 - 49	137	150	66	20	282
61 1559 2158	UCO/ 2x1.5/8" (52)	50 - 52	137	150	66	20	280

RI	DATE	DR	DATE	AP	Description:
02					UCO - Twin cable clamp with SAB saddle M8 threaded bar+nuts+washers
01					
00	03/11/2015	G.S.	03/11/2015	A.V.	
1 ST EMISSION					
					Use: Fastening of 2 cables on flat iron with holes