

PRODUCT DATA SHEET

A) SPECIFICATIONS

- 1 Stainless steel AISI304 bow
Hooking on flat 3-25 and round \varnothing 8-25.
- 2 Self-locking pressure screw M6 or M8 AISI304
- 3 Stainless steel AISI304 sliding pressure plate.
- 4 SAS black P.A.fiberglass saddles

B) RESISTANCE TESTS

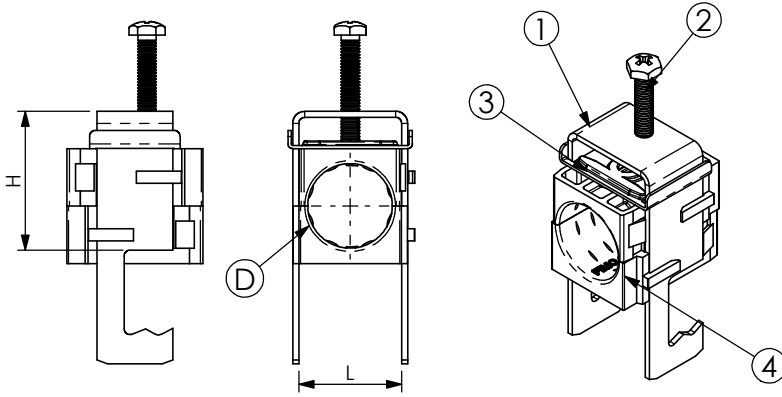
UV Test BS-ISO 105-B06
Vibration test conforming to IEC 60068-2-6
Corrosion test: UNI EN ISO 9227
Operating temperature: -30°C +120°C

C) PACKAGING INFORMATION

Packing in boxes.
Label indicating:
product code, article, quantity,
production batch,
FIMO logo and figure.
(Customer code on request).

D) MOUNTING INSTRUCTIONS

IST026



CODE	ARTICLE	\varnothing D	L	H	BOX	WEIGHT
61 1556 0006	sRF M/ 1x6	5 - 6	12	20	50	45
61 1556 0007	sRF M/ 1x7	6 - 7	12	20	50	45
61 1556 0008	sRF M/ 1x8	7 - 8	12	20	50	45
61 1556 0009	sRF M/ 1x9	8 - 9	12	20	50	45
61 1556 0091	sRF M/ 1x9 M	9 - 10	12	20	50	45
61 1556 0010	sRF M/ 1x10	10 - 11	12	20	50	47
61 1556 0011	sRF M/ 1x11	10 - 11	22	34	50	47
61 1556 1012	sRF M/ 1x12	11 - 12	22	34	50	47
61 1556 0013	sRF M/ 1x13	12 - 13	22	34	50	47
61 1556 0014	sRF M/ 1x1/2"S (14)	13 - 14	22	34	50	47
61 1556 0038	sRF M/ 1x3/8" (16)	15 - 16	22	34	50	47
61 1556 0012	sRF M/ 1x1/2" (17)	16 - 17	22	34	50	68
61 1556 0058	sRF M/ 1x5/8" (23)	21 - 23	34	46	50	110
61 1556 0027	sRF M/ 1x7/8"S (27)	26 - 27	34	46	50	108
61 1556 0078	sRF M/ 1x7/8" (28)	27 - 28	34	46	50	108
61 1556 1178	sRF M/ 1x7/8"M (30)	29 - 30	34	46	50	107
61 1556 0118	sRF M/ 1x1.1/8" (38)	36 - 38	46	58	50	128
61 1556 0114	sRF M/ 1x1.1/4" (40)	39 - 40	46	58	50	153
61 1556 0148	sRF M/ 1x1.5/8"S (49)	48 - 49	58	72	25	189
61 1556 0158	sRF M/ 1x1.5/8" (52)	50 - 52	58	72	25	188
61 1556 1214	sRF M/ 1x2.1/4" (60)	59 - 60	70	83	25	219
61 1556 0062	sRF M/ 1x62	60 - 62	70	83	25	211
61 1556 0074	sRF M/ 1x3" (72)	72 - 74	80	94	25	274
61 1556 0076	sRF M/ 1x3"M (76)	74 - 76	80	94	25	274

RI	DATE	DR	DATE	AP	Description:
02					Stainless cable clamps type sRF M For 1 coaxial cable, complete with 2 calibrated saddles. For articles see schedule.
01					
00	01/02/16	G.S.	01/02/16	A.V.	
1 ST EMISSION					
					Use: Fixing of 2 cables on flat 3-25 and round \varnothing 8-25.