

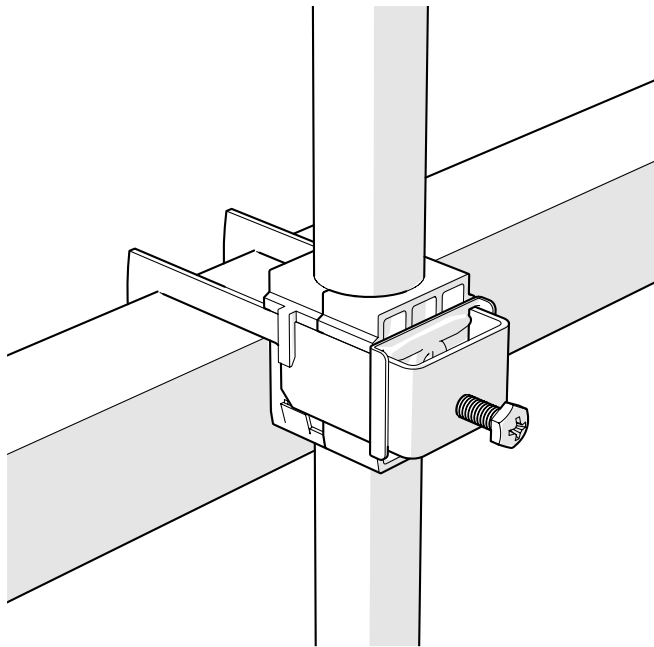
# SRF / OX

## Cable Clamps

Copyright © Fi.Mo.Tec. S.p.A.  
www.fimoworld.com

IST. 026 - REV. 1 - 07/17

### INSTALLATION INSTRUCTIONS



### ⚠ WARNINGS!

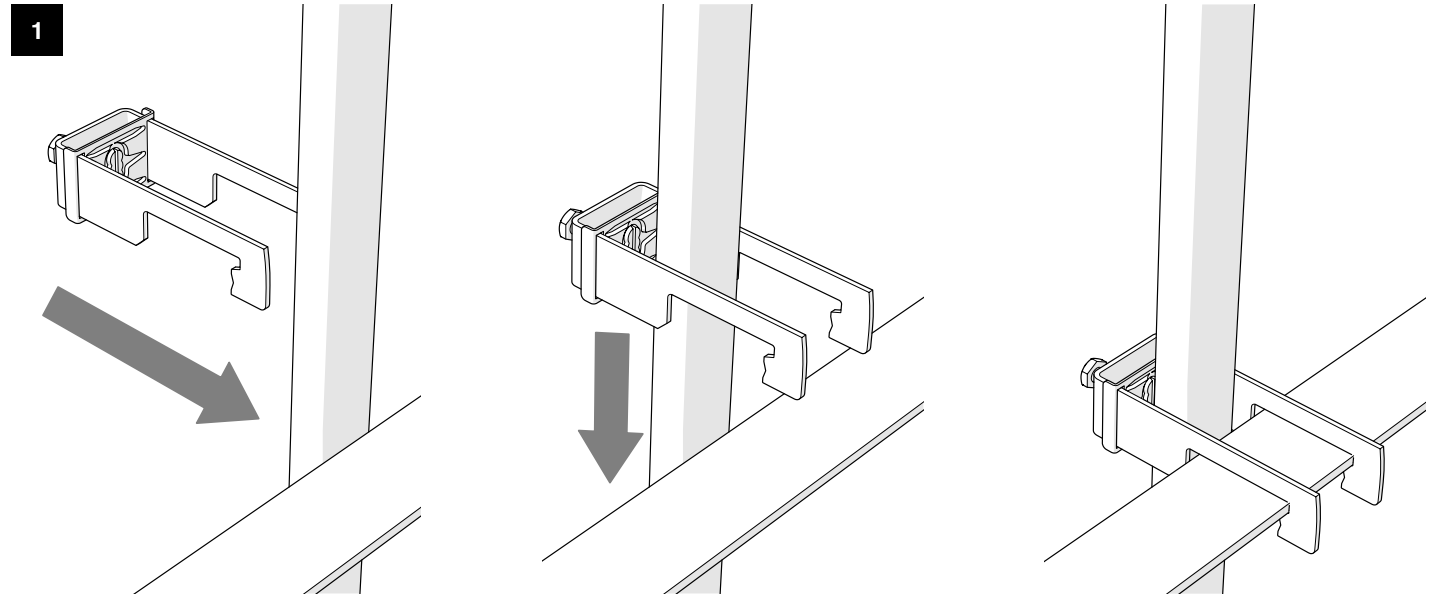
Installation of products must be performed by qualified, trained and experienced personnel. Installation personnel must be correctly and safely equipped. Mounting instructions and warnings must be read prior to installation. Warnings alert you to possible dangers about improper use of product. Failure to observe warnings may result in injury or death to you or others.



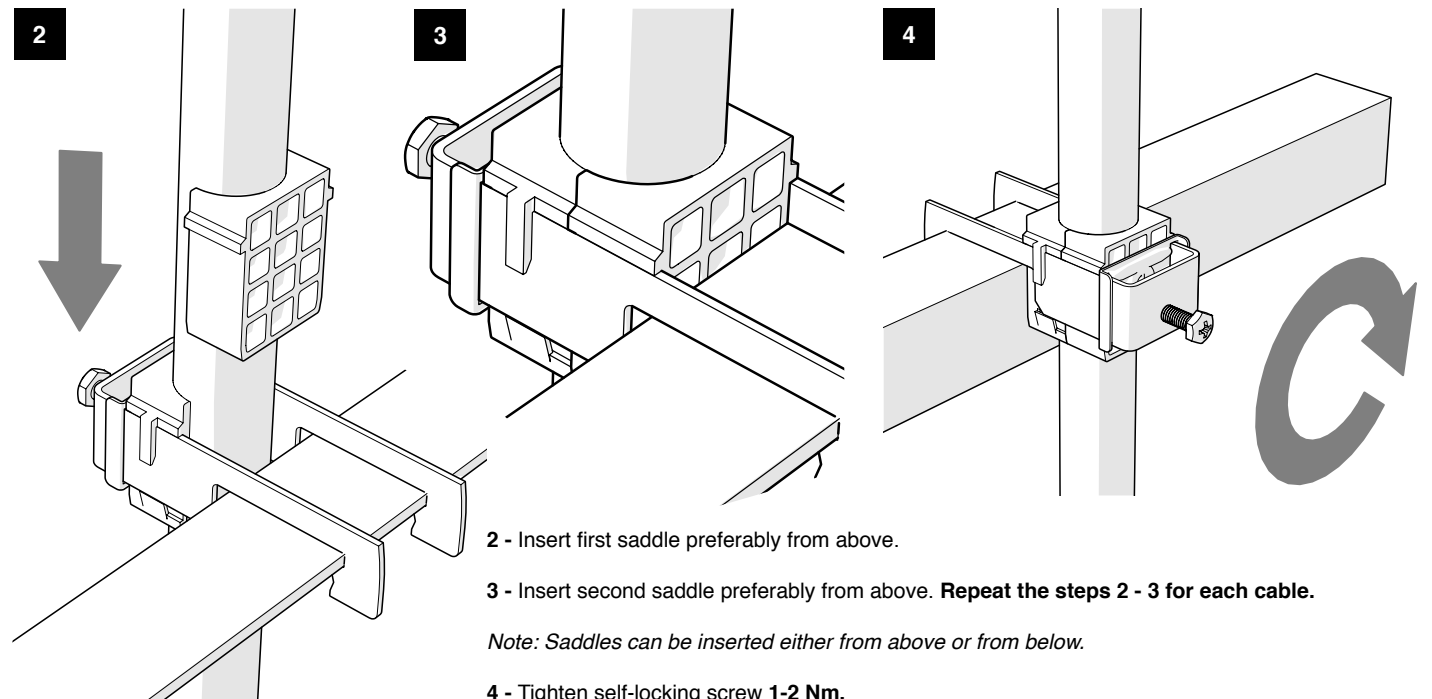
Fi.Mo.Tec. S.p.A.  
is certified ISO 9001  
and RoHS DIRECTIVES  
compliant.



All rights reserved.  
Passing on and copying of  
this document, use and communication of its contents  
not permitted without Fi.Mo.  
Tec. S.p.A. prior consent.



1 - Place the bow around the cables and hook it on the support.



2 - Insert first saddle preferably from above.

3 - Insert second saddle preferably from above. Repeat the steps 2 - 3 for each cable.

*Note: Saddles can be inserted either from above or from below.*

4 - Tighten self-locking screw 1-2 Nm.