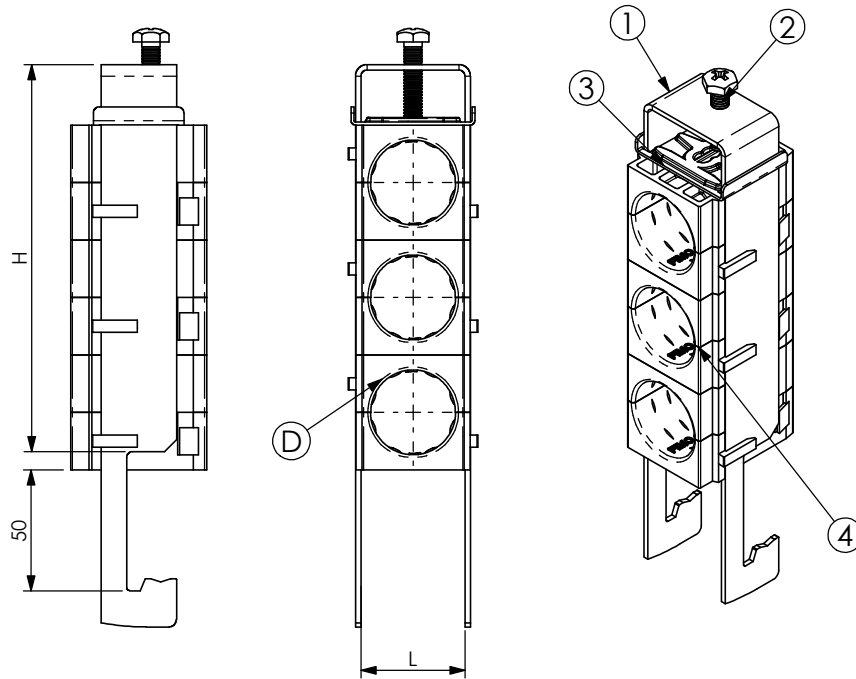


PRODUCT DATA SHEET



A) SPECIFICATIONS

- 1 Stainless steel bow
Hooking on on L shaped
angular support 50x50mm
- 2 Self-locking pressure screw M6
- 3 Stainless steel sliding pressure plate.
- 4 SAS black P.A. fiberglass saddles

B) RESISTANCE TESTS

UV Test BS-ISO 105-B06
Vibration test conforming to UNI 60068-2-6
Operating temperature: -30°C +120°C

C) PACKAGING INFORMATION

Packing in boxes.
Label indicating:
product code, article, quantity,
production batch,
FIMO logo and figure.
(Customer code on request).

D) MOUNTING INSTRUCTIONS

IST026

CODE	ARTICLE	ø D	L	H	BOX	WEIGHT
61 1550 0306	sRF A5/ 3x6	5 - 6	12	49	50	75
61 1550 0307	sRF A5/ 3x7	6 - 7	12	49	50	75
61 1550 0308	sRF A5/ 3x8	7 - 8	12	49	50	75
61 1550 0309	sRF A5/ 3x9	8 - 9	12	49	50	75
61 1550 0391	sRF A5/ 3x9 M	9 - 10	12	49	50	75
61 1550 0310	sRF A5/ 3x10	10 - 11	12	49	50	75
61 1550 0311	sRF A5/ 3x11	10 - 11	22	91	50	137
61 1550 3012	sRF A5/ 3x12	11 - 12	22	91	50	137
61 1550 0313	sRF A5/ 3x13	12 - 13	22	91	50	130
61 1550 0314	sRF A5/ 3x1 1/2" S (14)	13 - 14	22	91	50	140
61 1550 0338	sRF A5/ 3x3/8" (16)	15 - 16	22	91	50	131
61 1550 0312	sRF A5/ 3x1 1/2" (17)	16 - 17	22	91	50	130
61 1550 0358	sRF A5/ 3x5/8" (23)	21 - 23	34	128	50	276
61 1550 0327	sRF A5/ 3x7/8" S (27)	26 - 27	34	128	50	231
61 1550 0378	sRF A5/ 3x7/8" (28)	27 - 28	34	128	50	231
61 1550 3178	sRF A5/ 3x7/8" M (30)	29 - 30	34	128	50	219
61 1550 3118	sRF A5/ 3x1.1/8" (38)	36 - 38	46	165	50	363
61 1550 3114	sRF A5/ 3x1.1/4" (40)	39 - 40	46	165	50	345
61 1550 3148	sRF A5/ 3x1.5/8" S (49)	48 - 49	58	202	25	490
61 1550 3158	sRF A5/ 3x1.5/8" (52)	50 - 52	58	202	25	487

RI	DATE	DR	DATE	AP	Description:
02					Stainless cable clamps type sRF A5 For 3 coaxial cables, complete with 6 calibrated saddles. For articles see schedule.
01					
00	01/02/16	G.S.	01/02/16	A.V.	
1 ST EMISSION					
					Use: Fastening of 3 coaxial cables to angular 50 x 50 mm.