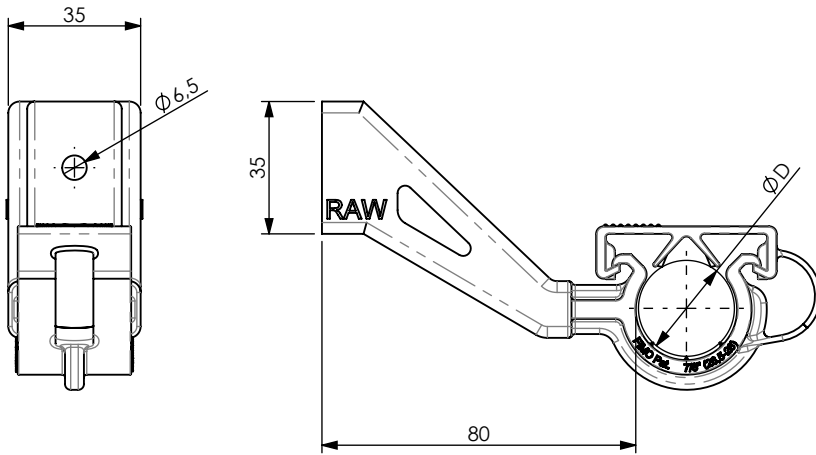


PRODUCT DATA SHEET



A) SPECIFICATIONS

1 Cable clamp. Material: PA6-V0, black colour, self extinguishing, halogen free (according to UL94-V0).

B) OPERATING TEMPERATURE

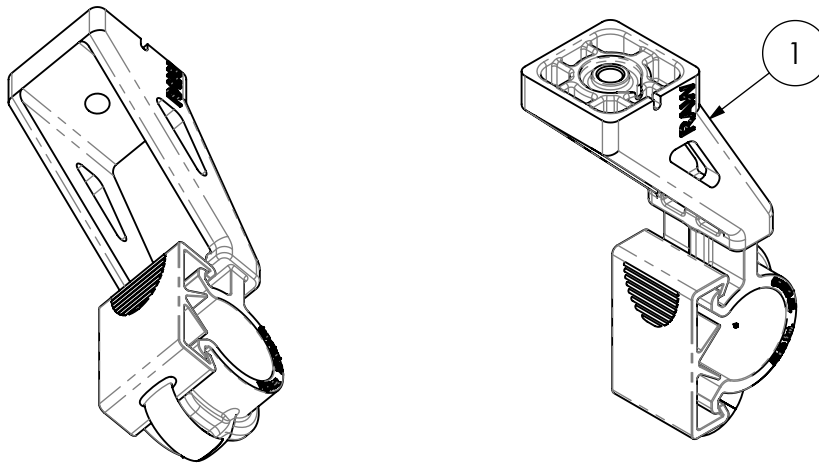
Working temperature : -40°C +125°C.
Installation temperature : +5°C +60°C.

C) DELIVERY MODALITIES

Packing in boxes. Label indicating: product code, article, quantity, production batch, FIMO logo and figure. (Customer code on request).

D) MOUNTING INSTRUCTIONS

IST065



code	6150010078
article	RAW 7/8"-80

D		
26.5-28	50	0.0470kg

RI	DATE	DR	DATE	AP
02				
01	27/02/2026	G.C.	27/02/2026	A.V.
		UPDATE		
00	02/12/2016	E.B.	02/12/2016	A.V.
1 ST EMISSION				

Description:

RAW 7/8"-80 Radiating Cable Clamp

Horizontal or vertical installation of radiating cables in tunnel

* Suitable for installation in high speed railway tunnel application (400 km/h)

