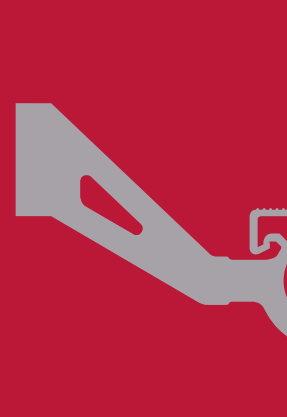
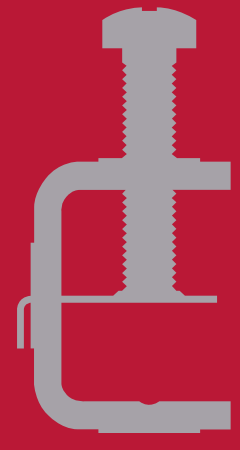
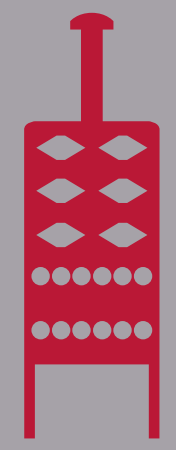
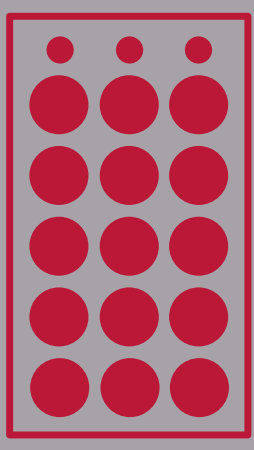
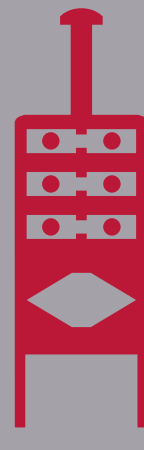
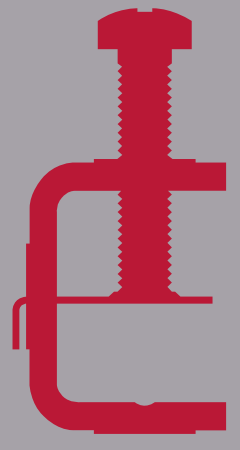
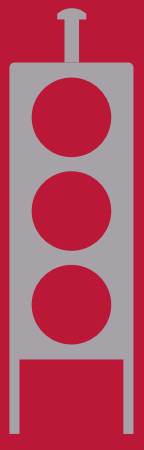
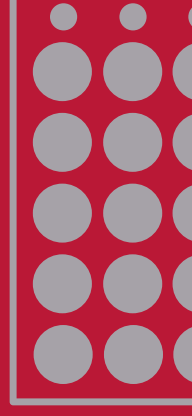


# Product Catalogue








CRF 27





# Index

## Sections and Product Index

	<b>Cable Clamps</b>	<b>1</b>
	<b>Fastening Devices</b>	<b>2</b>
	<b>Radiating Cable Fixings</b>	<b>3</b>
	<b>Grounding Kits</b>	<b>4</b>
	<b>Wall Entries &amp; Cushions</b>	<b>5</b>
	<b>Accessories for Installation</b>	<b>6</b>
	<b>Tables for Cables Clamps</b>	<b>7</b>

PRODUCT NAME	SECTIONS PAGE
ACCESSORIES	2 - 38
ANG 8 · SNO 8	2 - 28
APM	2 - 22
APU · APC	1 - 112
BAC	2 - 18
BAM	2 - 14
BAP 10 2HC	2 - 16
BAP	2 - 15
BCO	1 - 65
BEI · BEC · BES	4 - 11
BFI 8x	2 - 34
BFI 10x	2 - 34
BIT · GIT · UIT	2 - 24
BOM	2 - 17
BRF	1 - 40
BUT	6 - 11
CAP	2 - 36
CGK M	4 - 8
CLS	2 - 32
CLSC	2 - 33
COR	5 - 8
COR	5 - 9
CPR	5 - 10
DAI	2 - 34
DAS · DAT	1 - 35
DRA	3 - 5
EGK	4 - 9
EMC	1 - 98
EMP 3 - BAP 8M	1 - 87
FAS · FAU	2 - 25
FMT	4 - 10
GO	2 - 26
GOP	2 - 27

PRODUCT NAME	SECTIONS PAGE
GPR	5 - 14
GPT · GPE	5 - 15
GRE	5 - 26
GRE	5 - 32
GRE	5 - 33
GRE	5 - 34
GRI	2 - 34
GRQ	5 - 35
GRR	5 - 24
GRR	5 - 30
GRR	5 - 31
GSR · GSE · GST	5 - 21
GSR · GSE	5 - 22
GST	5 - 23
GTE	5 - 27
GTR	5 - 25
HANGER KIT BAC	2 - 30
HANGER KIT MIM	2 - 31
ISA 8	2 - 34
ISL 8 · ISI 8	6 - 6
ISO	4 - 12
ISP 8	2 - 34
KIT BFI 3/8"	2 - 34
KIT BFI M10	2 - 35
KIT RAX + COL	3 - 18
KIT SCC + COL	3 - 19
KIT SCC + RAF8	3 - 22
KMT P E	4 - 7
LC	1 - 64
LCC	1 - 67
LCO	1 - 66
MAM 8	2 - 4
MBM 8	2 - 5

PRODUCT NAME	SECTIONS PAGE
MC	1 - 70
MCC	1 - 73
MCM	2 - 6
MCO	1 - 72
MDM	2 - 7
MDM P	2 - 8
MEI	3 - 6
MEM · MEF	6 - 5
MFI · MF	3 - 15
MHA	2 - 21
MIM	2 - 10
MM	1 - 74
MMC	1 - 77
MMO	1 - 76
MOT 8	2 - 13
MPM	2 - 11
MPS	2 - 37
MRF	1 - 34
MRF B	1 - 36
MRF C	1 - 37
MRF E	1 - 38
MWT	6 - 14
NAS	6 - 8
NEP	6 - 7
NPI	2 - 34
OX	1 - 42
OX A3 · OX A4	1 - 44
OX A5 · OX B	1 - 45
OX C · OX E	1 - 46
OX M	1 - 47
PAS	5 - 19
PCI B	6 - 4
PGA	5 - 20

PRODUCT NAME	SECTIONS PAGE
PMR	5 - 4
PMR	5 - 6
PMR	5 - 7
PPS	5 - 16
PSL	2 - 34
PTR 200/185 RO	5 - 11
PUC	2 - 34
R10-80 · SPS	3 - 14
RAC	3 - 4
RAF 8	3 - 25
RAP	3 - 24
RAR	3 - 21
RAW	3 - 9
RAW · RSD	3 - 10
RAW · APP	3 - 12
REFERENCE LIST	3 - 26
REI	2 - 34
REG 8	2 - 34
REG 10	2 - 34
RF Q	2 - 12
RF Q	3 - 7
RPI	2 - 34
SAB	1 - 55
SAC	1 - 71
SAL	1 - 65
SAM	1 - 49
SAS · SAT	1 - 5
SAS M · SAT M	1 - 92
SAT H	1 - 94
SCC	3 - 8
SCC · MRM 6	1 - 102
SCP · SCM	1 - 104
SD	1 - 80

PRODUCT NAME	SECTIONS PAGE
SDA M	1 - 85
SDC M	1 - 83
SDP M	1 - 84
SDS M	1 - 81
SDU M	1 - 86
SEB	1 - 61
SEC	1 - 75
SEM	1 - 52
SEP · SET	1 - 43
SHA	2 - 19
SHA P	2 - 20
SIC	1 - 106
SIC H	1 - 108
SIC P	1 - 110
SOX	1 - 89
SPECIAL CLAMPS	1 - 96
SRG	1 - 113
SRF	1 - 4
SRF A3	1 - 6
SRF A4	1 - 10
SRF A5	1 - 14
SRF B	1 - 18
SRF C	1 - 22
SRF E	1 - 26
SRF M	1 - 30
SRR	1 - 114
STM	2 - 23
SUS 8	2 - 29
TABLES FOR CABLE CLAMPS	7 - 1
TEF	6 - 13
UAS	1 - 78
UC	1 - 54
UCC	1 - 57

PRODUCT NAME	SECTIONS PAGE
UCM	1 - 58
UCO	1 - 56
UEK	4 - 4
UEK M	4 - 5
UGK	4 - 6
UM	1 - 60
UMC	1 - 63
UMO	1 - 62
UMS	1 - 53
US	1 - 48
USC	1 - 51
USO	1 - 50
UX	1 - 88
UXC	1 - 90
VCI	2 - 34
VEI	2 - 34
VSI	2 - 34
VTI	2 - 34
WPE	6 - 12
WPK · BUT · PVC	6 - 10

# ABOUT FIMO®

## Our Vision, Our Mission, Our Values



### KNOW-HOW AND MODERNITY

In a constantly evolving market, such as Telecommunications, FIMO® Group is committed to always provide customers with “on purpose” studied, designed and manufactured components. All FIMO® solutions, aimed at solving any possible installation problem, are fully supported by a continuous efforts and investment into research and development, technology innovation, manufacturing process optimization and excellence in execution.

With over 80 years of history and experience, a significant geographical presence, the Group is strongly positioned at the high-tech end of the telecom accessories sector.

FIMO® has solid technical and ethical foundations and his business approach is a perfect blend of technical know-how and managerial modern vision.

### OUR VISION, OUR MISSION, OUR VALUES

The FIMO® Group's vision and mission provide the fundamental engine of our daily engagement. Our values drive our commitment to customers and work.

#### Our vision

We are convinced that the development of telecommunications is a cornerstone for the

evolution of modern society. We believe in creating value through significant products and services in the telecommunications sector. And we do so in light not only of efficiency, but also of sustainability and ethics.

#### Our mission

We work in such a way as to establish an essential partnership with our customers. This is why we let ourselves be guided by research and innovation, which drive us to optimise our production processes and ensure improved levels of technology and performance.

#### Our values

**Reliability** – our teams are able to combine engineering knowledge, design and experience in the field to ensure the highest quality results.

**Innovation** – for more than 80 years, our constant drive to evolve and to evolve the market has been a fundamental part of our DNA.

**Speed** – we act quickly and effectively to reach the excellence. Communication is the main pillar of our process: we reach outstanding results starting from listening and understanding customer needs.

#### • WALL ENTRIES

Solutions for Shelter and Masonry

#### • TELECOM INFRASTRUCTURE

Cable Clamps and  
Grounding Kits Solutions

### OUR CUSTOMERS ... OUR FOCUS

FIMO has established strong relationships with the major players in the Telecommunication industry thanks to a unique understanding capability of their primary needs. Customer centricity, guaranteed by ensuring that customers are always at the centre of FIMO business's philosophy, operations and ideas, is a constant behaviour of the Group and is reflected from product design through to delivery, and provision of a constantly monitored level of service.

### SUPPORTING THE SUSTAINABLE DEVELOPMENT OF THE WORLD'S TELECOM INFRASTRUCTURE

The FIMO® Group's solutions are designed to support the development of the world's telecoms infrastructure. Supporting the infrastructures of many of the world's leading telecoms operators, the FIMO® Group delivers solutions that help link communications to communities around the globe.

Our business is made up of three business units – Components, Concealing and Subsystems.

#### Components

Any kind of cable clamps and fixing devices, weatherproofing kits, grounding kits, wall entries and other components repre-

sents one of the widest offer of these products to the market, delivered through a state-of-the-art supply chain. FIMO® offers a comprehensive range of products, services and the knowledge required to meet the increasing demands of our customers in terms of quality, efficiency and cost-effectiveness.

**Concealing**

Rooftop solutions, fake trees, architectural solutions, all of them perfectly integrated with the surrounding environment.

FIMO® group provides to its customers these top quality solutions combined with an end-to-end support, going from listening to customer needs, to designing a tailor made solution, to support him until the installation.

**Subsystems**

FIMO® Group provides small cells and DAS solutions, cabinet, energy saving cabinets, boxes, harnesses, and whatever is needed to smartly connect the different parts of telecom installation.

An unbeatable supply chain together with the capability to design tailor made solution made FIMO® group solution the best choice for telecom players for what concerns interconnection bespoke devices.



◦ **TELECOM INFRASTRUCTURES**  
Cable Clamps and Grounding Kits Solutions



◦ **BROADCASTING**  
Cable Clamps, Grounding Kits and Wall Entries Solutions

**OUR PEOPLE ... OUR STRENGTH**

FIMO strongly relies on the expertise of its people to provide valuable solutions and services to all major customers involved in projects on every continent.

Our people are our most valuable asset and we are continuously investing in their capabilities, training and expectations. We strongly support the value of teamwork and we consider the quality of our human resource management as fundamental to the success of our business.



◦ **TUNNEL**  
Radiating Cable Fixings Solutions



◦ **BUILDINGS**  
Kitting Telecom Solutions for Roof Installations

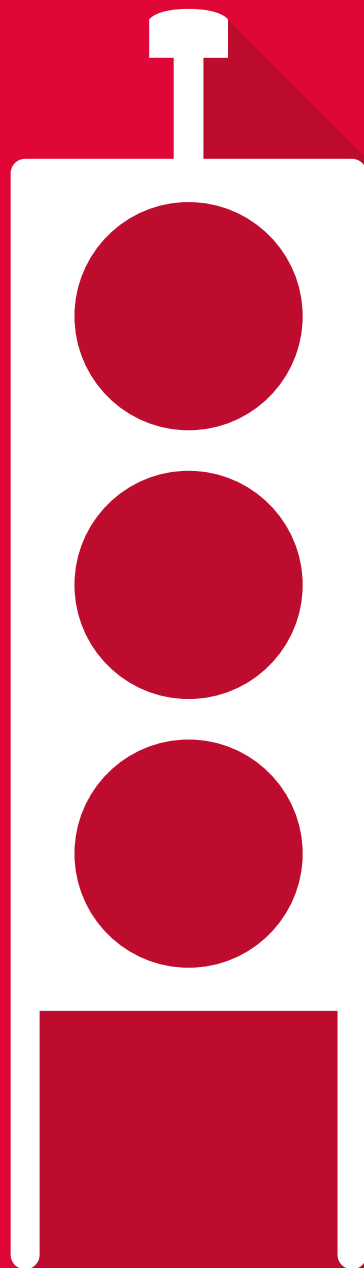


◦ **ANTENNA CAMOUFLAGE**  
Kitting Telecom Solutions for Antenna Camouflage



# Cable Clamps

Product Catalogue





# Cable Clamps

Cable clamps for coaxial, fiber optic and power cables. FIMO cable clamps are suitable for a quick, safe and secure installation of cables and pipes on any kind of support.

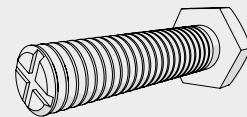
*Fixations pour câbles coaxiaux, fibre optique et énergie. Fixations pour câbles coaxiaux pour l'installation rapide et en sûreté de câbles ou de tubes sur n'importe quelle structure.*



**Self-Locking System Patented**



**Ribbed Pressure Plate Pat.**



**Self-Locking Screw Pat.**



**Patented**

**sRF - Self-locking Cable Clamps**  
Secure and Safe Locking

Self-locking sRF fasteners are the optimal solution for an easy and quick fastening to various supports of: coaxial cables, wave guides and fiber optic cables.

The cables are firmly secured, without danger of deformation, by calibrated saddles which hold them without crushing. The installer can visually control the pressure exerted by the screw (pat.). Between 1 and 12 cables can be fastened with the same clamp. The calibrated saddles, secured by a clip, can be inserted either frontally or laterally in the bow.

**Main features:**

- simple and strong structure
- secured components with easy mounting
- selected high quality materials
- resistance to atmospheric factors (U.V. rays, salty air, a.s.o.)
- high resistance to temperature variations (from -30°C to +120°C)
- absolute safety for cables and installers
- easy and quick installation

**sRF - Fixations Autobloquants**  
À Blocage Sûr et Anti écrasement

*Les fixations autobloquants de la série sRF sont la solution parfaite pour une fixation commode et rapide de câbles coaxiaux, de guides d'onde à fibres optiques, sur différentes structures.*

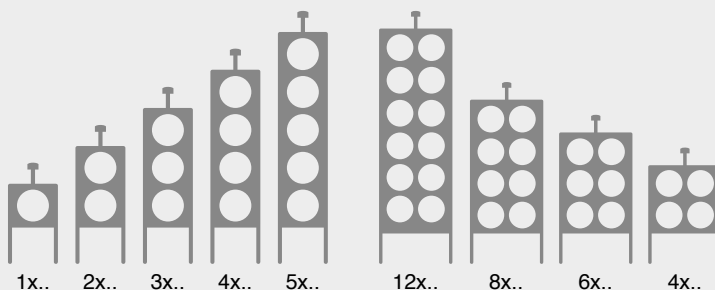
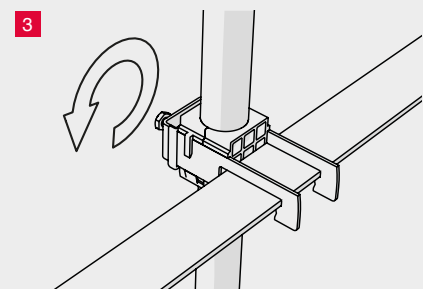
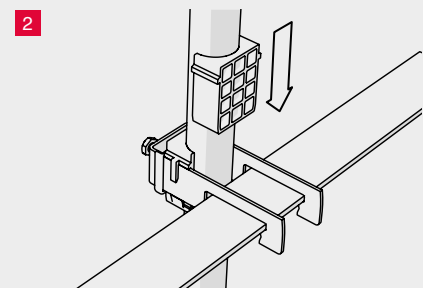
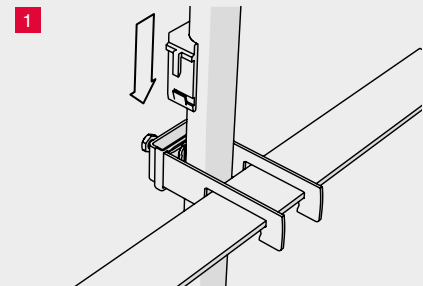
*Les câbles sont bloqués fixement, sans risque de déformation à l'aide de garnitures calibrées et capables de les contenir mais sans les écraser.*

*L'installateur contrôle visuellement la pression exercée par la vis (brev.). Il sera possible de poser de 1 à 12 câbles par attache.*

*Les garnitures calibrées, assurées par un clip, peuvent être insérées, selon nécessité à l'avant ou latéralement dans le cavalier.*

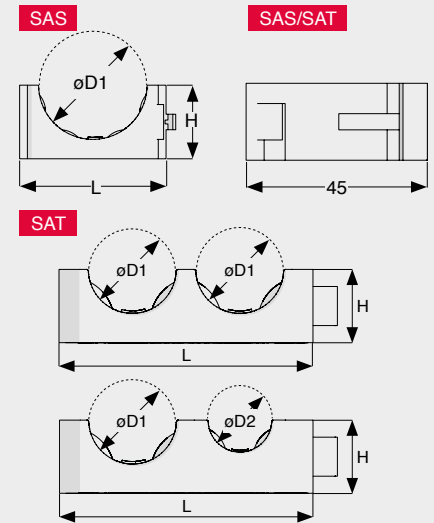
**Caractéristiques principales:**

- structure simple et robuste
- éléments faciles à assembler
- matériel sélectionné de haute qualité
- résistance aux Agents atmosphériques (U.V., salins etc.)
- résistance aux chocs thermiques (-30°C à +120°C)
- sécurité pour les câbles et pour l'installateur
- facilité et rapidité de pose



# SAS - SAT

## Saddles



**SAS - Single Calibrated Saddles**  
**SAT - Twin Calibrated Saddles**



The SAS and SAT saddles are supplied with the sRF cable clamps and RF Q collars. The internal indentation allows gripping on the cable without compressing nor deforming it. The closure of the cables is calibrated.

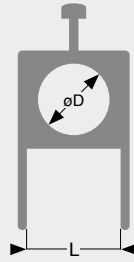
**SAS - Garnitures Calibrées Simples**  
**SAT - Garnitures Calibrées Jumelées**

*Les garnitures SAS et SAT sont fournies avec les attaches sRF et les colliers RF Q. Grâce à leur denture spéciale interne elles font prise sur le câble coaxial sans le comprimer ni le déformer. La fermeture de deux garnitures couplées est calibrée sur les diamètres des câbles coaxiaux.*

### MATERIAL

<b>Saddles</b>	Fiberglass P.A. U.V. Resistant Halogen Free
<b>Colour</b>	Black (Grey On Request)

FIGURE	CODE	ARTICLE	$\phi D1$	$\phi D2$	L	H	BAG	BOX	WEIGHT (gr)	
 SAS	61 3307 3006	SAS 1x6	5 - 6	-	12	7.5	50	500	4	
	61 3307 3007	SAS 1x7	6 - 7	-	12	7.5	50	500	4	
	61 3307 3008	SAS 1x8	7 - 8	-	12	7.5	50	500	4	
	61 3307 3009	SAS 1x9	8 - 9	-	12	7.5	50	500	3	
	61 3307 3091	SAS 1x9 M	9 - 10	-	12	7.5	50	500	3	
	61 3307 3010	SAS 1x10	10 - 11	-	12	7.5	50	500	3	
	61 3307 3011	SAS 1x11	10 - 11	-	22	13.5	50	500	10	
	61 3307 1012	SAS 1x12	11 - 12	-	22	13.5	50	500	10	
	61 3307 3013	SAS 1x13	12 - 13	-	22	13.5	50	500	10	
	61 3307 3014	SAS 1x1/2" S (14)	13 - 14	-	22	13.5	50	500	10	
	61 3307 3038	SAS 1x3/8" (16)	15 - 16	-	22	13.5	50	500	10	
	61 3307 3012	SAS 1x1/2" (17)	16 - 17	-	22	13.5	50	500	8	
	61 3307 3058	SAS 1x5/8" (23)	21 - 23	-	34	19	50	500	16	
	61 3307 3027	SAS 1x7/8" S (27)	26 - 27	-	34	19	50	500	16	
	61 3307 3078	SAS 1x7/8" (28)	27 - 28	-	34	19	50	500	16	
	61 3307 3178	SAS 1x7/8" M (30)	29 - 30	-	34	19	50	500	14	
	61 3307 3118	SAS 1x1.1/8" (38)	37 - 38	-	46	25.5	50	500	26	
	61 3307 3114	SAS 1x1.1/4" (40)	39 - 40	-	46	25.5	50	500	26	
	61 3307 0148	SAS 1x1.5/8" S (49)	48 - 49	-	58	32	50	100	34	
	61 3307 3158	SAS 1x1.5/8" (52)	50 - 52	-	58	32	50	100	34	
	61 3307 3060	SAS 1x2.1/4" (60)	59 - 60	-	70	37.5	50	100	38	
	61 3307 3062	SAS 1x62	60 - 62	-	70	37.5	50	100	40	
	61 3307 3074	SAS 1x3" (72)	72 - 74	-	80	45	50	100	57	
	61 3307 3076	SAS 1x3" M (76)	74 - 76	-	80	45	50	100	59	
	 SAT	61 3307 3205	SAT 2x5	4 - 5	-	22	7	50	500	13
		61 3307 3255	SAT 2x5 M	4.5 - 5.5	-	22	7	50	500	13
		61 3312 3268	SAT 1x6 + 1x8	7 - 8	5 - 6	22	7	50	500	13
		61 3307 3206	SAT 2x6	5 - 6	-	22	7	50	500	13
61 3307 3207		SAT 2x7	6 - 7	-	22	7	50	500	13	
61 3307 3280		SAT 1x8 + 1x10 M	9.5 - 10.5	7 - 8	22	7	50	500	13	
61 3307 3208		SAT 2x8	7 - 8	-	22	7	50	500	13	
61 3307 3209		SAT 2x9	8 - 9	-	22	7	50	500	11	
61 3307 3211		SAT 2x11	10 - 11	-	34	10	50	500	10	
61 3307 3213		SAT 2x13	12 - 13	-	46	13	50	500	16	
61 3307 3214		SAT 2x1/2" S	13 - 14	-	46	13	50	500	16	
61 3307 3212		SAT 2x1/2" (17)	16 - 17	-	46	13	50	500	16	
61 3307 3278		SAT 2x7/8" (28)	27 - 28	-	70	19	50	100	30	

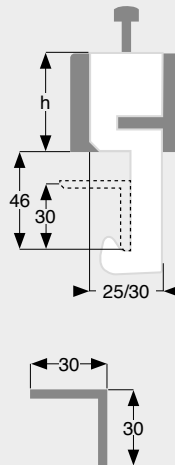


**sRF A3 - Self-Locking Cable Clamps**  
Complete with Calibrated Saddles

For 1/ 2/ 3/ 4/ 5/ 6/ 8/ 12 coaxial sRF cables.  
With use of **GRE-GRR-GRQ** elastic cushions allow fastening of waveguides.  
**Hooking on 30x30 mm angular**

**sRF A3 - Fixations Autobloquants**  
Complets de Garnitures Calibrées

Pour 1/ 2/ 3/ 4/ 5/ 6/ 8/ 12 câbles coaxiaux sRF. Avec l'emploi de garnitures élastiques **GRE-GRR-GRQ** permettent la fixation de guides d'onde.  
**Accrochage sur cornière 30x30 mm**



MATERIAL	
<b>Metal Parts</b>	AISI 304 Stainless Steel
<b>Saddles</b>	Fiberglass P.A. U.V. Resistant Halogen Free
<b>Colour</b>	Black (Grey On Request)

FIGURE	CODE	ARTICLE	$\varnothing D$	L	h	BOX	WEIGHT (gr)
	61 1552 0006	sRF A3/ 1x6	5 - 6	12	25	50	62
	61 1552 0007	sRF A3/ 1x7	6 - 7	12	25	50	62
	61 1552 0008	sRF A3/ 1x8	7 - 8	12	25	50	60
	61 1552 0009	sRF A3/ 1x9	8 - 9	12	25	50	58
	61 1552 0091	sRF A3/ 1x9 M	9 - 10	12	25	50	58
	61 1552 0010	sRF A3/ 1x10	10 - 11	12	25	50	58
	61 1552 0011	sRF A3/ 1x11	10 - 11	22	34	50	90
	61 1552 1012	sRF A3/ 1x12	11 - 12	22	34	50	90
	61 1552 0013	sRF A3/ 1x13	12 - 13	22	34	50	90
	61 1552 0014	sRF A3/ 1x1.2" S (14)	13 - 14	22	34	50	88
	61 1552 0038	sRF A3/ 1x3/8" (16)	15 - 16	22	34	50	86
	61 1552 0012	sRF A3/ 1x1.2" (17)	16 - 17	22	34	50	84
	61 1552 0058	sRF A3/ 1x5/8" (23)	21 - 23	34	46	50	140
	61 1552 0027	sRF A3/ 1x7/8" S (27)	26 - 27	34	46	50	138
	61 1552 0078	sRF A3/ 1x7/8" (28)	27 - 28	34	46	50	138
	61 1552 1178	sRF A3/ 1x7/8" M (30)	29 - 30	34	46	50	136
	61 1552 0118	sRF A3/ 1x1.1/8" (38)	36 - 38	46	58	50	190
	61 1552 0114	sRF A3/ 1x1.1/4" (40)	39 - 40	46	58	50	188
	61 1552 0148	sRF A3/ 1x1.5/8" S (49)	48 - 49	58	72	25	235
	61 1552 0158	sRF A3/ 1x1.5/8" (52)	50 - 52	58	72	25	234
	61 1552 1214	sRF A3/ 1x2.1/4" (60)	59 - 60	70	83	25	243
	61 1552 0062	sRF A3/ 1x62	60 - 62	70	83	25	239
	61 1552 0074	sRF A3/ 1x3" (72)	72 - 74	80	94	25	335
61 1552 0076	sRF A3/ 1x3" M (76)	74 - 76	80	94	25	335	
	61 1552 0206	sRF A3/ 2x6	5 - 6	12	39	50	70
	61 1552 0207	sRF A3/ 2x7	6 - 7	12	39	50	70
	61 1552 0208	sRF A3/ 2x8	7 - 8	12	39	50	70
	61 1552 0209	sRF A3/ 2x9	8 - 9	12	39	50	70
	61 1552 0291	sRF A3/ 2x9 M	9 - 10	12	39	50	70
	61 1552 0210	sRF A3/ 2x10	10 - 11	12	39	50	70
	61 1552 0211	sRF A3/ 2x11	10 - 11	22	63	50	103
	61 1552 2012	sRF A3/ 2x12	11 - 12	22	63	50	103










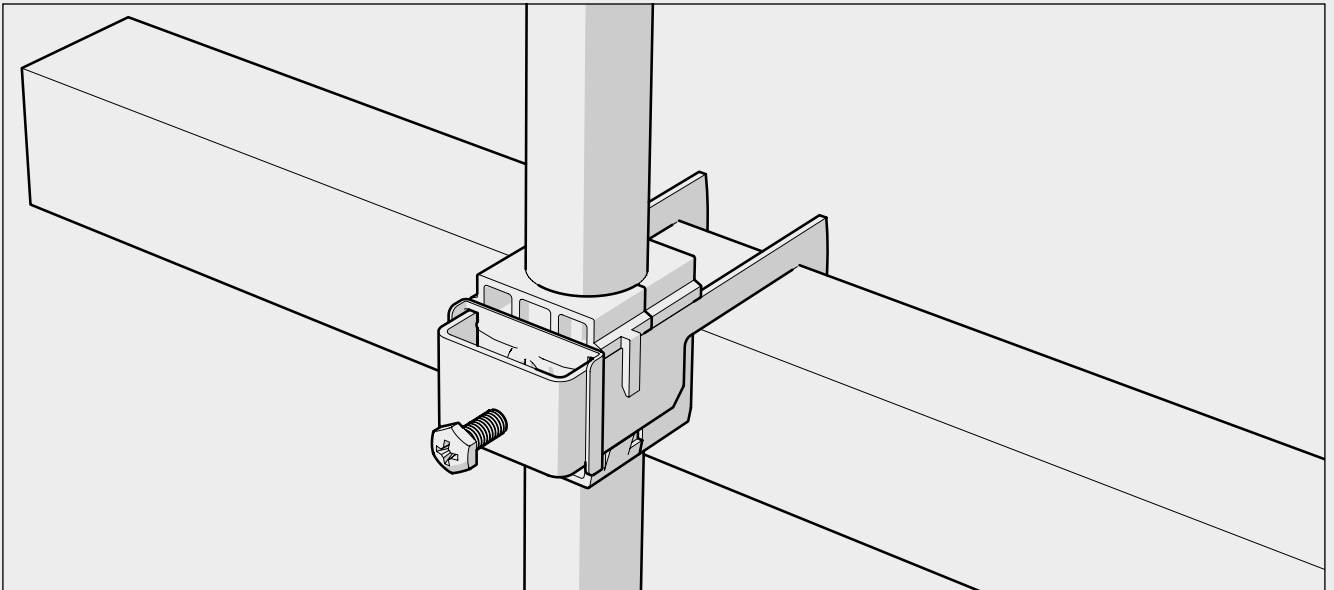
FIGURE	CODE	ARTICLE	ø D	L	h	BOX	WEIGHT (gr)
	61 1552 0213	sRF A3/ 2x13	12 - 13	22	63	50	100
	61 1552 0214	sRF A3/ 2x1/2" S (14)	13 - 14	22	63	50	105
	61 1552 0238	sRF A3/ 2x3/8" (16)	15 - 16	22	63	50	100
	61 1552 0212	sRF A3/ 2x1/2" (17)	16 - 17	22	63	50	99
	61 1552 0258	sRF A3/ 2x5/8" (23)	21 - 23	34	87	50	209
	61 1552 0227	sRF A3/ 2x7/8" S (27)	26 - 27	34	87	50	169
	61 1552 0278	sRF A3/ 2x7/8" (28)	27 - 28	34	87	50	169
	61 1552 2178	sRF A3/ 2x7/8" M (30)	29 - 30	34	87	50	159
	61 1552 2118	sRF A3/ 2x1.1/8" (38)	36 - 38	46	111	50	265
	61 1552 2114	sRF A3/ 2x1.1/4" (40)	39 - 40	46	111	50	252
	61 1552 2148	sRF A3/ 2x1.5/8" S (49)	48 - 49	58	137	25	363
	61 1552 2158	sRF A3/ 2x1.5/8" (52)	50 - 52	58	137	25	361
	61 1552 2214	sRF A3/ 2x2.1/4" (60)	59 - 60	70	161	25	431
	61 1552 0262	sRF A3/ 2x62	60 - 62	70	161	25	412
	61 1552 0306	sRF A3/ 3x6	5 - 6	12	63	50	75
	61 1552 0307	sRF A3/ 3x7	6 - 7	12	63	50	75
	61 1552 0308	sRF A3/ 3x8	7 - 8	12	63	50	75
	61 1552 0309	sRF A3/ 3x9	8 - 9	12	63	50	75
	61 1552 0391	sRF A3/ 3x9 M	9 - 10	12	63	50	75
	61 1552 0310	sRF A3/ 3x10	10 - 11	12	63	50	75
	61 1552 0311	sRF A3/ 3x11	10 - 11	22	91	50	137
	61 1552 3012	sRF A3/ 3x12	11 - 12	22	91	50	137
	61 1552 0313	sRF A3/ 3x13	12 - 13	22	91	50	130
	61 1552 0314	sRF A3/ 3x1/2" S (14)	13 - 14	22	91	50	140
	61 1552 0338	sRF A3/ 3x3/8" (16)	15 - 16	22	91	50	131
	61 1552 0312	sRF A3/ 3x1/2" (17)	16 - 17	22	91	50	130
	61 1552 0358	sRF A3/ 3x5/8" (23)	21 - 23	34	128	50	276
	61 1552 0327	sRF A3/ 3x7/8" S (27)	26 - 27	34	128	50	231
	61 1552 0378	sRF A3/ 3x7/8" (28)	27 - 28	34	128	50	231
	61 1552 3178	sRF A3/ 3x7/8" M (30)	29 - 30	34	128	50	219
	61 1552 3118	sRF A3/ 3x1.1/8" (38)	36 - 38	46	165	50	363
	61 1552 3114	sRF A3/ 3x1.1/4" (40)	39 - 40	46	165	50	345
61 1552 3148	sRF A3/ 3x1.5/8" S (49)	48 - 49	58	202	25	490	
61 1552 3158	sRF A3/ 3x1.5/8" (52)	50 - 52	58	202	25	487	
	61 1552 1411	sRF A3/ 4x11	10 - 11	22	119	50	173
	61 1552 1414	sRF A3/ 4x1/2" S (14)	13 - 14	22	119	50	170
	61 1552 1412	sRF A3/ 4x1/2" (17)	16 - 17	22	119	50	166
	61 1552 1478	sRF A3/ 4x7/8" (28)	27 - 28	34	169	50	293
	61 1552 0511	sRF A3/ 5x11	10 - 11	22	149	50	209
	61 1552 0512	sRF A3/ 5x1/2" (17)	16 - 17	22	149	50	202
	61 1552 0578	sRF A3/ 5x7/8" (28)	27 - 28	34	149	50	355
	61 1552 0405	sRF A3/ 4x5	4 - 5	22	34	50	85
	61 1552 0455	sRF A3/ 4x5.5	4.5 - 5.5	22	34	50	85
	61 1552 0406	sRF A3/ 4x6	5 - 6	22	34	50	85
	61 1552 0407	sRF A3/ 4x7	6 - 7	22	34	50	85
	61 1552 0408	sRF A3/ 4x8	7 - 8	22	34	50	85
	61 1552 0409	sRF A3/ 4x9	8 - 9	22	34	50	85
	61 1552 0411	sRF A3/ 4x11	10 - 11	34	46	50	114
	61 1552 0413	sRF A3/ 4x13	12 - 13	46	58	50	184
	61 1552 0414	sRF A3/ 4x1/2" S (14)	13 - 14	46	58	50	184
	61 1552 0412	sRF A3/ 4x1/2" (17)	16 - 17	46	58	50	184
	61 1552 0478	sRF A3/ 4x7/8" (28)	27 - 28	70	83	25	286
	61 1552 0605	sRF A3/ 6x5	4 - 5	22	67	50	160
	61 1552 0655	sRF A3/ 6x5.5	4.5 - 5.5	22	67	50	160
	61 1552 0606	sRF A3/ 6x6	5 - 6	22	67	50	160
	61 1552 0607	sRF A3/ 6x7	6 - 7	22	67	50	160
	61 1552 0608	sRF A3/ 6x8	7 - 8	22	67	50	160
	61 1552 0609	sRF A3/ 6x9	8 - 9	22	67	50	160
	61 1552 0611	sRF A3/ 6x11	10 - 11	34	67	50	160
	61 1552 0613	sRF A3/ 6x13	12 - 13	46	93	50	230
	61 1552 0614	sRF A3/ 6x1/2" S (14)	13 - 14	46	93	50	230
	61 1552 0612	sRF A3/ 6x1/2" (17)	16 - 17	46	93	50	230
61 1552 0678	sRF A3/ 6x7/8" (28)	27 - 28	70	127	25	335	

FIGURE	CODE	ARTICLE	ø D	L	h	BOX	WEIGHT (gr)
	61 1552 0805	sRF A3/ 8x5	4 - 5	22	63	50	130
	61 1552 0855	sRF A3/ 8x5.5	4.5 - 5.5	22	63	50	130
	61 1552 0806	sRF A3/ 8x6	5 - 6	22	63	50	130
	61 1552 0807	sRF A3/ 8x7	6 - 7	22	63	50	130
	61 1552 0808	sRF A3/ 8x8	7 - 8	22	63	50	130
	61 1552 0809	sRF A3/ 8x9	8 - 9	22	63	50	130
	61 1552 0811	sRF A3/ 8x11	10 - 11	34	87	50	205
	61 1552 0813	sRF A3/ 8x13	12 - 13	46	111	50	275
	61 1552 0814	sRF A3/ 8x1/2" S (14)	13 - 14	46	111	50	275
	61 1552 0812	sRF A3/ 8x1/2" (17)	16 - 17	46	111	50	275
61 1552 0878	sRF A3/ 8x7/8" (28)	27 - 28	70	161	25	375	
	61 1552 2005	sRF A3/ 10x5	4 - 5	22	91	50	152
	61 1552 2055	sRF A3/ 10x5.5	4.5 - 5.5	22	91	50	152
	61 1552 2006	sRF A3/ 10x6	5 - 6	22	91	50	152
	61 1552 2007	sRF A3/ 10x7	6 - 7	22	91	50	152
	61 1552 2008	sRF A3/ 10x8	7 - 8	22	91	50	152
	61 1552 2009	sRF A3/ 10x9	8 - 9	22	91	50	152
	61 1552 2011	sRF A3/ 10x11	10 - 11	34	128	50	247
	61 1552 2013	sRF A3/ 10x13	12 - 13	46	165	50	360
	61 1552 2014	sRF A3/ 10x1/2" S (14)	13 - 14	46	165	50	360
	61 1552 4212	sRF A3/ 10x1/2" (17)	16 - 17	46	165	50	360
	61 1552 1205	sRF A3/ 12x5	4 - 5	22	107	50	168
	61 1552 1255	sRF A3/ 12x5.5	4.5 - 5.5	22	107	50	168
	61 1552 1206	sRF A3/ 12x6	5 - 6	22	107	50	168
	61 1552 1207	sRF A3/ 12x7	6 - 7	22	107	50	168
	61 1552 1208	sRF A3/ 12x8	7 - 8	22	107	50	168
	61 1552 1209	sRF A3/ 12x9	8 - 9	22	107	50	168
	61 1552 1211	sRF A3/ 12x11	10 - 11	34	128	50	278
	61 1552 1213	sRF A3/ 12x13	12 - 13	46	165	50	540
	61 1552 4214	sRF A3/ 12x1/2" S (14)	13 - 14	46	165	50	540
	61 1552 1212	sRF A3/ 12x1/2" (17)	16 - 17	46	165	50	540
61 1552 1278	sRF A3/ 12x7/8" (28)	27 - 28	46	238	50	620	



**SRF A3**  
**On Angular**

# SRF A4

## Cable Clamps

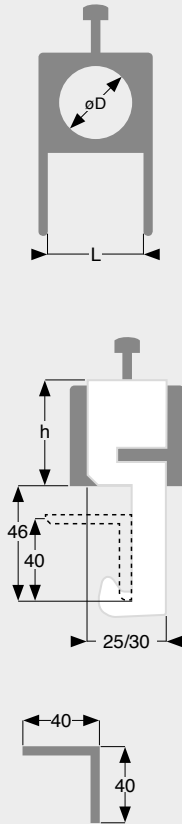


### SRF A4 - Self-Locking Cable Clamps Complete with Calibrated Saddles

For 1/ 2/ 3/ 4/ 5/ 6/ 8/ 12 coaxial sRF cables.  
With use of **GRE-GRR-GRQ** elastic cushions allow fastening of waveguides.  
**Hooking on 40x40 mm angular**

### sRF A4 - Fixation Autobloquants Complets de Garnitures Calibrées

Pour 1/ 2/ 3/ 4/ 5/ 6/ 8/ 12 câbles coaxiaux sRF. Avec l'emploi de garnitures élastiques **GRE-GRR-GRQ** permettent la fixation de guides d'onde.  
**Accrochage sur cornière 40x40 mm**



#### MATERIAL

##### Metal Parts

AISI 304  
Stainless Steel

##### Saddles

Fiberglass P.A.  
U.V. Resistant  
Halogen Free

##### Colour

Black  
(Grey On Request)

FIGURE	CODE	ARTICLE	$\varnothing D$	L	h	BOX	WEIGHT (gr)
	61 1551 0006	sRF A4/ 1x6	5 - 6	12	25	50	62
	61 1551 0007	sRF A4/ 1x7	6 - 7	12	25	50	62
	61 1551 0008	sRF A4/ 1x8	7 - 8	12	25	50	60
	61 1551 0009	sRF A4/ 1x9	8 - 9	12	25	50	58
	61 1551 0091	sRF A4/ 1x9 M	9 - 10	12	25	50	58
	61 1551 0010	sRF A4/ 1x10	10 - 11	12	25	50	58
	61 1551 0011	sRF A4/ 1x11	10 - 11	22	34	50	90
	61 1551 1012	sRF A4/ 1x12	11 - 12	22	34	50	90
	61 1551 0013	sRF A4/ 1x13	12 - 13	22	34	50	90
	61 1551 0014	sRF A4/ 1x1/2" (14)	13 - 14	22	34	50	88
	61 1551 0038	sRF A4/ 1x3/8" (16)	15 - 16	22	34	50	86
	61 1551 0012	sRF A4/ 1x1/2" (17)	16 - 17	22	34	50	84
	61 1551 0058	sRF A4/ 1x5/8" (23)	21 - 23	34	46	50	140
	61 1551 0027	sRF A4/ 1x7/8" (27)	26 - 27	34	46	50	138
	61 1551 0078	sRF A4/ 1x7/8" (28)	27 - 28	34	46	50	138
	61 1551 1178	sRF A4/ 1x7/8" M (30)	29 - 30	34	46	50	136
	61 1551 0118	sRF A4/ 1x1.1/8" (38)	36 - 38	46	58	50	190
	61 1551 0114	sRF A4/ 1x1.1/4" (40)	39 - 40	46	58	50	188
	61 1551 0148	sRF A4/ 1x1.5/8" (49)	48 - 49	58	72	25	235
	61 1551 0158	sRF A4/ 1x1.5/8" (52)	50 - 52	58	72	25	234
61 1551 1214	sRF A4/ 1x2.1/4" (60)	59 - 60	70	83	25	243	
61 1551 0062	sRF A4/ 1x62	60 - 62	70	83	25	239	
61 1551 0074	sRF A4/ 1x3" (72)	72 - 74	80	94	25	335	
61 1551 0076	sRF A4/ 1x3" M (76)	74 - 76	80	94	25	335	
	61 1551 0206	sRF A4/ 2x6	5 - 6	12	39	50	70
	61 1551 0207	sRF A4/ 2x7	6 - 7	12	39	50	70
	61 1551 0208	sRF A4/ 2x8	7 - 8	12	39	50	70
	61 1551 0209	sRF A4/ 2x9	8 - 9	12	39	50	70
	61 1551 0291	sRF A4/ 2x9 M	9 - 10	12	39	50	70
	61 1551 0210	sRF A4/ 2x10	10 - 11	12	39	50	70
	61 1551 0211	sRF A4/ 2x11	10 - 11	22	63	50	103
	61 1551 2012	sRF A4/ 2x12	11 - 12	22	63	50	103





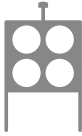




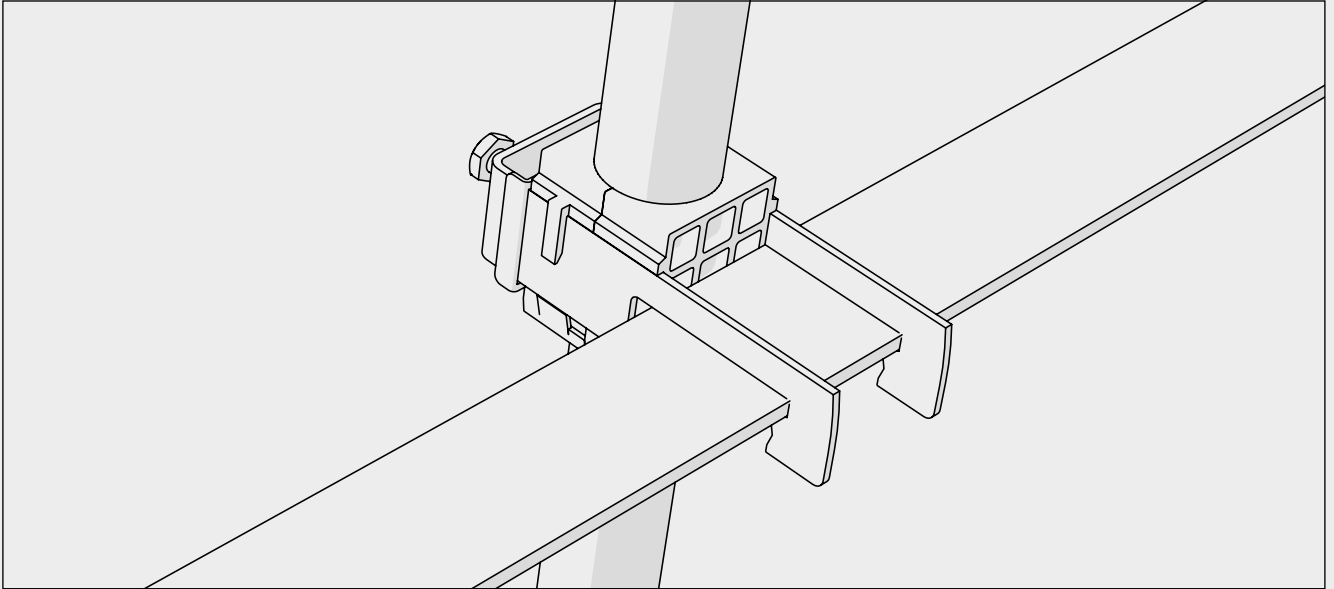
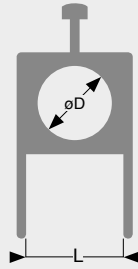
FIGURE	CODE	ARTICLE	ø D	L	h	BOX	WEIGHT (gr)
	61 1551 0213	sRF A4/ 2x13	12 - 13	22	63	50	100
	61 1551 0214	sRF A4/ 2x1/2" S (14)	13 - 14	22	63	50	105
	61 1551 0238	sRF A4/ 2x3/8" (16)	15 - 16	22	63	50	100
	61 1551 0212	sRF A4/ 2x1/2" (17)	16 - 17	22	63	50	99
	61 1551 0258	sRF A4/ 2x5/8" (23)	21 - 23	34	87	50	209
	61 1551 0227	sRF A4/ 2x7/8" S (27)	26 - 27	34	87	50	169
	61 1551 0278	sRF A4/ 2x7/8" (28)	27 - 28	34	87	50	169
	61 1551 2178	sRF A4/ 2x7/8" M (30)	29 - 30	34	87	50	159
	61 1551 2118	sRF A4/ 2x1.1/8" (38)	36 - 38	46	111	50	265
	61 1551 2114	sRF A4/ 2x1.1/4" (40)	39 - 40	46	111	50	252
	61 1551 2148	sRF A4/ 2x1.5/8" S (49)	48 - 49	58	137	25	363
	61 1551 2158	sRF A4/ 2x1.5/8" (52)	50 - 52	58	137	25	361
	61 1551 2214	sRF A4/ 2x2.1/4" (60)	59 - 60	70	161	25	431
	61 1551 0262	sRF A4/ 2x62	60 - 62	70	161	25	412
	61 1551 0306	sRF A4/ 3x6	5 - 6	12	63	50	75
	61 1551 0307	sRF A4/ 3x7	6 - 7	12	63	50	75
	61 1551 0308	sRF A4/ 3x8	7 - 8	12	63	50	75
	61 1551 0309	sRF A4/ 3x9	8 - 9	12	63	50	75
	61 1551 0391	sRF A4/ 3x9 M	9 - 10	12	63	50	75
	61 1551 0310	sRF A4/ 3x10	10 - 11	12	63	50	75
	61 1551 0311	sRF A4/ 3x11	10 - 11	22	91	50	137
	61 1551 3012	sRF A4/ 3x12	11 - 12	22	91	50	137
	61 1551 0313	sRF A4/ 3x13	12 - 13	22	91	50	130
	61 1551 0314	sRF A4/ 3x1/2" S (14)	13 - 14	22	91	50	140
	61 1551 0338	sRF A4/ 3x3/8" (16)	15 - 16	22	91	50	131
	61 1551 0312	sRF A4/ 3x1/2" (17)	16 - 17	22	91	50	130
	61 1551 0358	sRF A4/ 3x5/8" (23)	21 - 23	34	128	50	276
	61 1551 0327	sRF A4/ 3x7/8" S (27)	26 - 27	34	128	50	231
	61 1551 0378	sRF A4/ 3x7/8" (28)	27 - 28	34	128	50	231
	61 1551 3178	sRF A4/ 3x7/8" M (30)	29 - 30	34	128	50	219
	61 1551 3118	sRF A4/ 3x1.1/8" (38)	36 - 38	46	165	50	363
	61 1551 3114	sRF A4/ 3x1.1/4" (40)	39 - 40	46	165	50	345
61 1551 3148	sRF A4/ 3x1.5/8" S (49)	48 - 49	58	202	25	490	
61 1551 3158	sRF A4/ 3x1.5/8" (52)	50 - 52	58	202	25	487	
	61 1551 1411	sRF A4/ 4x11	10 - 11	22	119	50	173
	61 1551 1414	sRF A4/ 4x1/2" S (14)	13 - 14	22	119	50	170
	61 1551 1412	sRF A4/ 4x1/2" (17)	16 - 17	22	119	50	166
	61 1551 1478	sRF A4/ 4x7/8" (28)	27 - 28	34	169	50	293
	61 1551 0511	sRF A4/ 5x11	10 - 11	22	149	50	209
	61 1551 0512	sRF A4/ 5x1/2" (17)	16 - 17	22	149	50	202
	61 1551 0578	sRF A4/ 5x7/8" (28)	27 - 28	34	149	50	355
	61 1551 0405	sRF A4/ 4x5	4 - 5	22	34	50	85
	61 1551 0455	sRF A4/ 4x5.5	4.5 - 5.5	22	34	50	85
	61 1551 0406	sRF A4/ 4x6	5 - 6	22	34	50	85
	61 1551 0407	sRF A4/ 4x7	6 - 7	22	34	50	85
	61 1551 0408	sRF A4/ 4x8	7 - 8	22	34	50	85
	61 1551 0409	sRF A4/ 4x9	8 - 9	22	34	50	85
	61 1551 0411	sRF A4/ 4x11	10 - 11	34	46	50	114
	61 1551 0413	sRF A4/ 4x13	12 - 13	46	58	50	184
	61 1551 0414	sRF A4/ 4x1/2" S (14)	13 - 14	46	58	50	184
	61 1551 0412	sRF A4/ 4x1/2" (17)	16 - 17	46	58	50	184
61 1551 0478	sRF A4/ 4x7/8" (28)	27 - 28	70	83	25	286	
	61 1551 0605	sRF A4/ 6x5	4 - 5	22	67	50	160
	61 1551 0655	sRF A4/ 6x5.5	4.5 - 5.5	22	67	50	160
	61 1551 0606	sRF A4/ 6x6	5 - 6	22	67	50	160
	61 1551 0607	sRF A4/ 6x7	6 - 7	22	67	50	160
	61 1551 0608	sRF A4/ 6x8	7 - 8	22	67	50	160
	61 1551 0609	sRF A4/ 6x9	8 - 9	22	67	50	160
	61 1551 0611	sRF A4/ 6x11	10 - 11	34	67	50	160
	61 1551 0613	sRF A4/ 6x13	12 - 13	46	93	50	230
	61 1551 0614	sRF A4/ 6x1/2" S (14)	13 - 14	46	93	50	230
61 1551 0612	sRF A4/ 6x1/2" (17)	16 - 17	46	93	50	230	
61 1551 0678	sRF A4/ 6x7/8" (28)	27 - 28	70	127	25	335	

FIGURE	CODE	ARTICLE	ø D	L	h	BOX	WEIGHT (gr)
	61 1551 0805	sRF A4/ 8x5	4 - 5	22	63	50	130
	61 1551 0855	sRF A4/ 8x5.5	4.5 - 5.5	22	63	50	130
	61 1551 0806	sRF A4/ 8x6	5 - 6	22	63	50	130
	61 1551 0807	sRF A4/ 8x7	6 - 7	22	63	50	130
	61 1551 0808	sRF A4/ 8x8	7 - 8	22	63	50	130
	61 1551 0809	sRF A4/ 8x9	8 - 9	22	63	50	130
	61 1551 0811	sRF A4/ 8x11	10 - 11	34	87	50	205
	61 1551 0813	sRF A4/ 8x13	12 - 13	46	111	50	275
	61 1551 0814	sRF A4/ 8x1/2"S (14)	13 - 14	46	111	50	275
	61 1551 0812	sRF A4/ 8x1/2" (17)	16 - 17	46	111	50	275
61 1551 0878	sRF A4/ 8x7/8" (28)	27 - 28	70	161	25	375	
	61 1551 2005	sRF A4/ 10x5	4 - 5	22	91	50	152
	61 1551 2055	sRF A4/ 10x5.5	4.5 - 5.5	22	91	50	152
	61 1551 2006	sRF A4/ 10x6	5 - 6	22	91	50	152
	61 1551 2007	sRF A4/ 10x7	6 - 7	22	91	50	152
	61 1551 2008	sRF A4/ 10x8	7 - 8	22	91	50	152
	61 1551 2009	sRF A4/ 10x9	8 - 9	22	91	50	152
	61 1551 2011	sRF A4/ 10x11	10 - 11	34	128	50	247
	61 1551 2013	sRF A4/ 10x13	12 - 13	46	165	50	360
	61 1551 2014	sRF A4/ 10x1/2"S (14)	13 - 14	46	165	50	360
	61 1551 4212	sRF A4/ 10x1/2" (17)	16 - 17	46	165	50	360
	61 1551 1205	sRF A4/ 12x5	4 - 5	22	107	50	168
	61 1551 1255	sRF A4/ 12x5.5	4.5 - 5.5	22	107	50	168
	61 1551 1206	sRF A4/ 12x6	5 - 6	22	107	50	168
	61 1551 1207	sRF A4/ 12x7	6 - 7	22	107	50	168
	61 1551 1208	sRF A4/ 12x8	7 - 8	22	107	50	168
	61 1551 1209	sRF A4/ 12x9	8 - 9	22	107	50	168
	61 1551 1211	sRF A4/ 12x11	10 - 11	34	128	50	278
	61 1551 1213	sRF A4/ 12x13	12 - 13	46	165	50	540
	61 1551 4214	sRF A4/ 12x1/2"S (14)	13 - 14	46	165	50	540
	61 1551 1212	sRF A4/ 12x1/2" (17)	16 - 17	46	165	50	540
61 1551 1278	sRF A4/ 12x7/8" (28)	27 - 28	46	238	50	620	



**SRF A4**  
**On Angular**



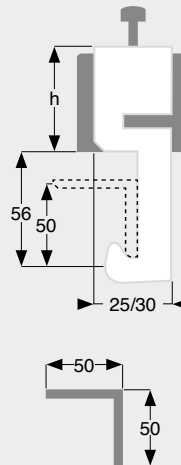
**sRF A5 - Self-Locking Cable Clamps**  
Complete with Calibrated Saddles

For 1/ 2/ 3/ 4/ 5/ 6/ 8/ 12 coaxial sRF cables.  
With use of **GRE-GRR-GRQ** elastic cushions allow fastening of waveguides.  
**Hooking on 50x50 mm angular**

**sRF A5 - Fixation Autobloquants**  
Complets de Garnitures Calibrées

Pour 1/ 2/ 3/ 4/ 5/ 6/ 8/ 12 câbles coaxiaux sRF. Avec l'emploi de garnitures élastiques **GRE-GRR-GRQ** permettent la fixation de guides d'onde.

**Accrochage sur cornière 50x50 mm**



**MATERIAL**

<b>Metal Parts</b>	AISI 304 Stainless Steel
<b>Saddles</b>	Fiberglass P.A. U.V. Resistant Halogen Free
<b>Colour</b>	Black (Grey On Request)

FIGURE	CODE	ARTICLE	ø D	L	h	BOX	WEIGHT (gr)	
	61 1550 0006	sRF A5/ 1x6	5 - 6	12	25	50	62	
	61 1550 0007	sRF A5/ 1x7	6 - 7	12	25	50	62	
	61 1550 0008	sRF A5/ 1x8	7 - 8	12	25	50	60	
	61 1550 0009	sRF A5/ 1x9	8 - 9	12	25	50	58	
	61 1550 0091	sRF A5/ 1x9 M	9 - 10	12	25	50	58	
	61 1550 0010	sRF A5/ 1x10	10 - 11	12	25	50	58	
	61 1550 0011	sRF A5/ 1x11	10 - 11	22	34	50	90	
	61 1550 1012	sRF A5/ 1x12	11 - 12	22	34	50	90	
	61 1550 0013	sRF A5/ 1x13	12 - 13	22	34	50	90	
	61 1550 0014	sRF A5/ 1x1.2" S (14)	13 - 14	22	34	50	88	
	61 1550 0038	sRF A5/ 1x3/8" (16)	15 - 16	22	34	50	86	
	61 1550 0012	sRF A5/ 1x1.2" (17)	16 - 17	22	34	50	84	
	61 1550 0058	sRF A5/ 1x5/8" (23)	21 - 23	34	46	50	140	
	61 1550 0027	sRF A5/ 1x7/8" S (27)	26 - 27	34	46	50	138	
	61 1550 0078	sRF A5/ 1x7/8" (28)	27 - 28	34	46	50	138	
	61 1550 1178	sRF A5/ 1x7/8" M (30)	29 - 30	34	46	50	136	
	61 1550 0118	sRF A5/ 1x1.1/8" (38)	36 - 38	46	58	50	190	
	61 1550 0114	sRF A5/ 1x1.1/4" (40)	39 - 40	46	58	50	188	
	61 1550 0148	sRF A5/ 1x1.5/8" S (49)	48 - 49	58	72	25	235	
	61 1550 0158	sRF A5/ 1x1.5/8" (52)	50 - 52	58	72	25	234	
	61 1550 1214	sRF A5/ 1x2.1/4" (60)	59 - 60	70	83	25	243	
	61 1550 0062	sRF A5/ 1x62	60 - 62	70	83	25	239	
	61 1550 0074	sRF A5/ 1x3" (72)	72 - 74	80	94	25	335	
	61 1550 0076	sRF A5/ 1x3" M (76)	74 - 76	80	94	25	335	
		61 1550 0206	sRF A5/ 2x6	5 - 6	12	39	50	70
		61 1550 0207	sRF A5/ 2x7	6 - 7	12	39	50	70
		61 1550 0208	sRF A5/ 2x8	7 - 8	12	39	50	70
61 1550 0209		sRF A5/ 2x9	8 - 9	12	39	50	70	
61 1550 0291		sRF A5/ 2x9 M	9 - 10	12	39	50	70	
61 1550 0210		sRF A5/ 2x10	10 - 11	12	39	50	70	
61 1550 0211		sRF A5/ 2x11	10 - 11	22	63	50	103	
61 1550 2012		sRF A5/ 2x12	11 - 12	22	63	50	103	
61 1550 0213		sRF A5/ 2x13	12 - 13	22	63	50	100	









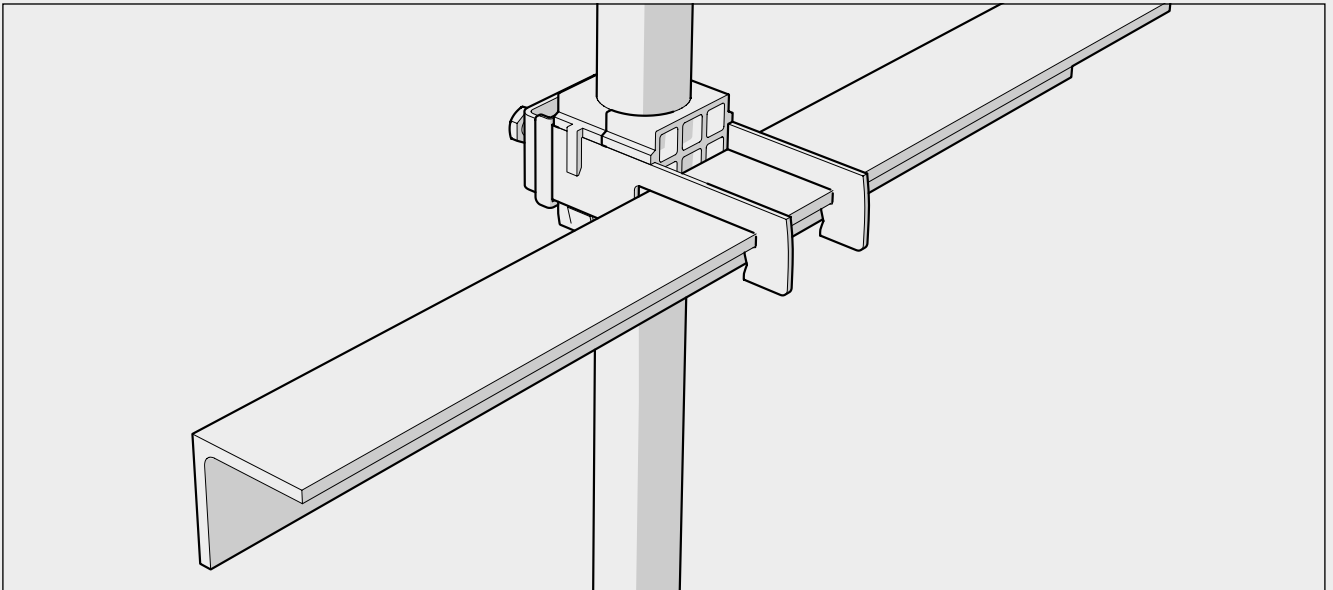
FIGURE	CODE	ARTICLE	ø D	L	h	BOX	WEIGHT (gr)
	61 1550 0214	sRF A5/ 2x1/2" S (14)	13 - 14	22	63	50	105
	61 1550 0238	sRF A5/ 2x3/8" (16)	15 - 16	22	63	50	100
	61 1550 0212	sRF A5/ 2x1/2" (17)	16 - 17	22	63	50	99
	61 1550 0258	sRF A5/ 2x5/8" (23)	21 - 23	34	87	50	209
	61 1550 0227	sRF A5/ 2x7/8" S (27)	26 - 27	34	87	50	169
	61 1550 0278	sRF A5/ 2x7/8" (28)	27 - 28	34	87	50	169
	61 1550 2178	sRF A5/ 2x7/8" M (30)	29 - 30	34	87	50	159
	61 1550 2118	sRF A5/ 2x1.1/8" (38)	36 - 38	46	111	50	265
	61 1550 2114	sRF A5/ 2x1.1/4" (40)	39 - 40	46	111	50	252
	61 1550 2148	sRF A5/ 2x1.5/8" S (49)	48 - 49	58	137	25	363
	61 1550 2158	sRF A5/ 2x1.5/8" (52)	50 - 52	58	137	25	361
	61 1550 2214	sRF A5/ 2x2.1/4" (60)	59 - 60	70	161	25	431
	61 1550 0262	sRF A5/ 2x62	60 - 62	70	161	25	412
	61 1550 0306	sRF A5/ 3x6	5 - 6	12	63	50	75
	61 1550 0307	sRF A5/ 3x7	6 - 7	12	63	50	75
	61 1550 0308	sRF A5/ 3x8	7 - 8	12	63	50	75
	61 1550 0309	sRF A5/ 3x9	8 - 9	12	63	50	75
	61 1550 0391	sRF A5/ 3x9 M	9 - 10	12	63	50	75
	61 1550 0310	sRF A5/ 3x10	10 - 11	12	63	50	75
	61 1550 0311	sRF A5/ 3x11	10 - 11	22	91	50	137
	61 1550 3012	sRF A5/ 3x12	11 - 12	22	91	50	137
	61 1550 0313	sRF A5/ 3x13	12 - 13	22	91	50	130
	61 1550 0314	sRF A5/ 3x1/2" S (14)	13 - 14	22	91	50	140
	61 1550 0338	sRF A5/ 3x3/8" (16)	15 - 16	22	91	50	131
	61 1550 0312	sRF A5/ 3x1/2" (17)	16 - 17	22	91	50	130
	61 1550 0358	sRF A5/ 3x5/8" (23)	21 - 23	34	128	50	276
	61 1550 0327	sRF A5/ 3x7/8" S (27)	26 - 27	34	128	50	231
	61 1550 0378	sRF A5/ 3x7/8" (28)	27 - 28	34	128	50	231
	61 1550 3178	sRF A5/ 3x7/8" M (30)	29 - 30	34	128	50	219
	61 1550 3118	sRF A5/ 3x1.1/8" (38)	36 - 38	46	165	50	363
	61 1550 3114	sRF A5/ 3x1.1/4" (40)	39 - 40	46	165	50	345
	61 1550 3148	sRF A5/ 3x1.5/8" S (49)	48 - 49	58	202	25	490
61 1550 3158	sRF A5/ 3x1.5/8" (52)	50 - 52	58	202	25	487	
	61 1550 1411	sRF A5/ 4x11	10 - 11	22	119	50	173
	61 1550 1414	sRF A5/ 4x1/2" S (14)	13 - 14	22	119	50	170
	61 1550 1412	sRF A5/ 4x1/2" (17)	16 - 17	22	119	50	166
	61 1550 1478	sRF A5/ 4x7/8" (28)	27 - 28	34	169	50	293
	61 1550 0511	sRF A5/ 5x11	10 - 11	22	149	50	209
	61 1550 0512	sRF A5/ 5x1/2" (17)	16 - 17	22	149	50	202
	61 1550 0578	sRF A5/ 5x7/8" (28)	27 - 28	34	149	50	355
	61 1550 0405	sRF A5/ 4x5	4 - 5	22	34	50	85
	61 1550 0455	sRF A5/ 4x5.5	4.5 - 5.5	22	34	50	85
	61 1550 0406	sRF A5/ 4x6	5 - 6	22	34	50	85
	61 1550 0407	sRF A5/ 4x7	6 - 7	22	34	50	85
	61 1550 0408	sRF A5/ 4x8	7 - 8	22	34	50	85
	61 1550 0409	sRF A5/ 4x9	8 - 9	22	34	50	85
	61 1550 0411	sRF A5/ 4x11	10 - 11	34	46	50	114
	61 1550 0413	sRF A5/ 4x13	12 - 13	46	58	50	184
	61 1550 0414	sRF A5/ 4x1/2" S (14)	13 - 14	46	58	50	184
	61 1550 0412	sRF A5/ 4x1/2" (17)	16 - 17	46	58	50	184
	61 1550 0478	sRF A5/ 4x7/8" (28)	27 - 28	70	83	25	286
	61 1550 0605	sRF A5/ 6x5	4 - 5	22	67	50	160
	61 1550 0655	sRF A5/ 6x5.5	4.5 - 5.5	22	67	50	160
	61 1550 0606	sRF A5/ 6x6	5 - 6	22	67	50	160
	61 1550 0607	sRF A5/ 6x7	6 - 7	22	67	50	160
	61 1550 0608	sRF A5/ 6x8	7 - 8	22	67	50	160
	61 1550 0609	sRF A5/ 6x9	8 - 9	22	67	50	160
	61 1550 0611	sRF A5/ 6x11	10 - 11	34	67	50	160
	61 1550 0613	sRF A5/ 6x13	12 - 13	46	93	50	230
	61 1550 0614	sRF A5/ 6x1/2" S (14)	13 - 14	46	93	50	230
	61 1550 0612	sRF A5/ 6x1/2" (17)	16 - 17	46	93	50	230
	61 1550 0678	sRF A5/ 6x7/8" (28)	27 - 28	70	127	25	335

FIGURE	CODE	ARTICLE	ø D	L	h	BOX	WEIGHT (gr)
	61 1550 0805	sRF A5/ 8x5	4 - 5	22	63	50	130
	61 1550 0855	sRF A5/ 8x5.5	4.5 - 5.5	22	63	50	130
	61 1550 0806	sRF A5/ 8x6	5 - 6	22	63	50	130
	61 1550 0807	sRF A5/ 8x7	6 - 7	22	63	50	130
	61 1550 0808	sRF A5/ 8x8	7 - 8	22	63	50	130
	61 1550 0809	sRF A5/ 8x9	8 - 9	22	63	50	130
	61 1550 0811	sRF A5/ 8x11	10 - 11	34	87	50	205
	61 1550 0813	sRF A5/ 8x13	12 - 13	46	111	50	275
	61 1550 0814	sRF A5/ 8x1/2"S (14)	13 - 14	46	111	50	275
	61 1550 0812	sRF A5/ 8x1/2" (17)	16 - 17	46	111	50	275
61 1550 0878	sRF A5/ 8x7/8" (28)	27 - 28	70	161	25	375	
	61 1550 2005	sRF A5/ 10x5	4 - 5	22	91	50	152
	61 1550 2055	sRF A5/ 10x5.5	4.5 - 5.5	22	91	50	152
	61 1550 2006	sRF A5/ 10x6	5 - 6	22	91	50	152
	61 1550 2007	sRF A5/ 10x7	6 - 7	22	91	50	152
	61 1550 2008	sRF A5/ 10x8	7 - 8	22	91	50	152
	61 1550 2009	sRF A5/ 10x9	8 - 9	22	91	50	152
	61 1550 2011	sRF A5/ 10x11	10 - 11	34	128	50	247
	61 1550 2013	sRF A5/ 10x13	12 - 13	46	165	50	360
	61 1550 2014	sRF A5/ 10x1/2"S (14)	13 - 14	46	165	50	360
	61 1550 4212	sRF A5/ 10x1/2" (17)	16 - 17	46	165	50	360
	61 1550 1205	sRF A5/ 12x5	4 - 5	22	107	50	168
	61 1550 1255	sRF A5/ 12x5.5	4.5 - 5.5	22	107	50	168
	61 1550 1206	sRF A5/ 12x6	5 - 6	22	107	50	168
	61 1550 1207	sRF A5/ 12x7	6 - 7	22	107	50	168
	61 1550 1208	sRF A5/ 12x8	7 - 8	22	107	50	168
	61 1550 1209	sRF A5/ 12x9	8 - 9	22	107	50	168
	61 1550 1211	sRF A5/ 12x11	10 - 11	34	128	50	278
	61 1550 1213	sRF A5/ 12x13	12 - 13	46	165	50	540
	61 1550 4214	sRF A5/ 12x1/2"S (14)	13 - 14	46	165	50	540
	61 1550 1212	sRF A5/ 12x1/2" (17)	16 - 17	46	165	50	540
61 1550 1278	sRF A5/ 12x7/8" (28)	27 - 28	46	238	50	620	



**SRF A5**  
**On Angular**



### SRF B - Self-Locking Cable Clamps

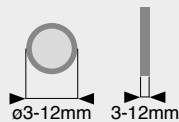
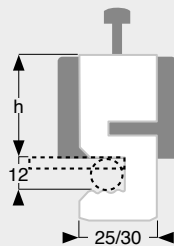
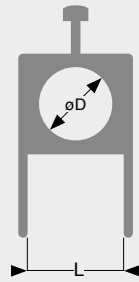
Complete with Calibrated Saddles

For 1/ 2/ 3/ 4/ 5/ 6/ 8/ 12 coaxial sRF cables.  
With use of **GRE-GRR-GRQ** elastic cushions allow fastening of waveguides.  
**Hooking on flat and round 3-12 mm**

### SRF B - Fixation Autobloquants

Complets de Garnitures Calibrées

Pour 1/ 2/ 3/ 4/ 5/ 6/ 8/ 12 câbles coaxiaux sRF. Avec l'emploi de garnitures élastiques **GRE-GRR-GRQ** permettent la fixation de guides d'onde.  
**Accrochage sur plat et rond 3-12 mm**



#### MATERIAL

#### Metal Parts

AISI 304  
Stainless Steel

#### Saddles

Fiberglass P.A.  
U.V. Resistant  
Halogen Free

#### Colour

Black  
(Grey On Request)

FIGURE	CODE	ARTICLE	ø D	L	h	BOX	WEIGHT (gr)	
	61 1553 0006	sRF B/ 1x6	5 - 6	12	25	50	48	
	61 1553 0007	sRF B/ 1x7	6 - 7	12	25	50	48	
	61 1553 0008	sRF B/ 1x8	7 - 8	12	25	50	48	
	61 1553 0009	sRF B/ 1x9	8 - 9	12	25	50	48	
	61 1553 0091	sRF B/ 1x9 M	9 - 10	12	25	50	48	
	61 1553 0010	sRF B/ 1x10	10 - 11	12	25	50	48	
	61 1553 0011	sRF B/ 1x11	10 - 11	22	34	50	80	
	61 1553 1012	sRF B/ 1x12	11 - 12	22	34	50	80	
	61 1553 0013	sRF B/ 1x13	12 - 13	22	34	50	80	
	61 1553 0014	sRF B/ 1x1/2"S (14)	13 - 14	22	34	50	80	
	61 1553 0038	sRF B/ 1x3/8" (16)	15 - 16	22	34	50	78	
	61 1553 0012	sRF B/ 1x1/2" (17)	16 - 17	22	34	50	74	
	61 1553 0058	sRF B/ 1x5/8" (23)	21 - 23	34	46	50	126	
	61 1553 0027	sRF B/ 1x7/8"S (27)	26 - 27	34	46	50	124	
	61 1553 0078	sRF B/ 1x7/8" (28)	27 - 28	34	46	50	124	
	61 1553 1178	sRF B/ 1x7/8"M (30)	29 - 30	34	46	50	122	
	61 1553 0118	sRF B/ 1x1.1/8" (38)	36 - 38	46	58	50	174	
	61 1553 0114	sRF B/ 1x1.1/4" (40)	39 - 40	46	58	50	174	
	61 1553 0148	sRF B/ 1x1.5/8"S (49)	48 - 49	58	72	25	217	
	61 1553 0158	sRF B/ 1x1.5/8" (52)	50 - 52	58	72	25	216	
	61 1553 1214	sRF B/ 1x2.1/4" (60)	59 - 60	70	83	25	256	
	61 1553 0062	sRF B/ 1x62	60 - 62	70	83	25	246	
	61 1553 0074	sRF B/ 1x3" (72)	72 - 74	80	94	25	330	
	61 1553 0076	sRF B/ 1x3"M (76)	74 - 76	80	94	25	330	
		61 1553 0206	sRF B/ 2x6	5 - 6	12	39	50	70
		61 1553 0207	sRF B/ 2x7	6 - 7	12	39	50	70
		61 1553 0208	sRF B/ 2x8	7 - 8	12	39	50	70
61 1553 0209		sRF B/ 2x9	8 - 9	12	39	50	70	
61 1553 0291		sRF B/ 2x9 M	9 - 10	12	39	50	70	
61 1553 0210		sRF B/ 2x10	10 - 11	12	39	50	70	
61 1553 0211		sRF B/ 2x11	10 - 11	22	63	50	103	
61 1553 2012		sRF B/ 2x12	11 - 12	22	63	50	103	
61 1553 0213		sRF B/ 2x13	12 - 13	22	63	50	100	










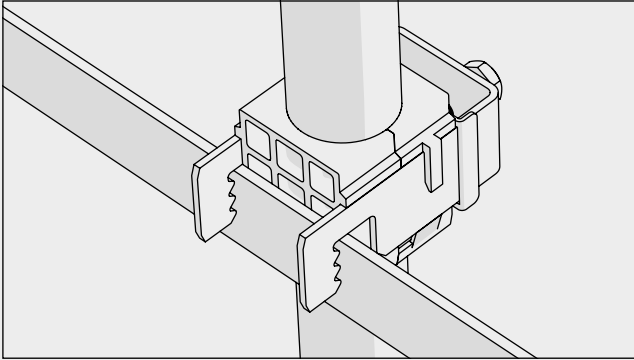
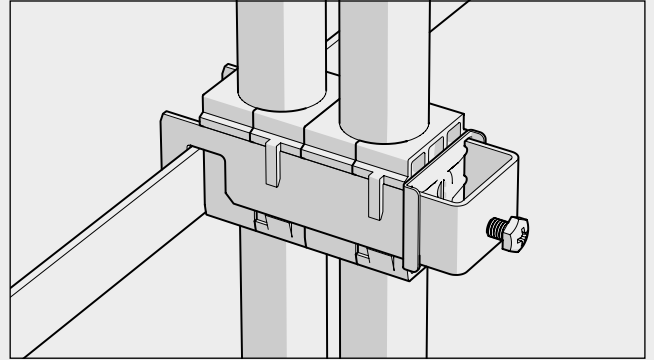
FIGURE	CODE	ARTICLE	ø D	L	h	BOX	WEIGHT (gr)
	61 1553 0214	sRF B/ 2x1/2"S (14)	13 - 14	22	63	50	105
	61 1553 0238	sRF B/ 2x3/8" (16)	15 - 16	22	63	50	100
	61 1553 0212	sRF B/ 2x1/2" (17)	16 - 17	22	63	50	99
	61 1553 0258	sRF B/ 2x5/8" (23)	21 - 23	34	87	50	209
	61 1553 0227	sRF B/ 2x7/8"S (27)	26 - 27	34	87	50	169
	61 1553 0278	sRF B/ 2x7/8" (28)	27 - 28	34	87	50	169
	61 1553 2178	sRF B/ 2x7/8"M (30)	29 - 30	34	87	50	159
	61 1553 2118	sRF B/ 2x1.1/8" (38)	36 - 38	46	111	50	265
	61 1553 2114	sRF B/ 2x1.1/4" (40)	39 - 40	46	111	50	252
	61 1553 2148	sRF B/ 2x1.5/8"S (49)	48 - 49	58	137	25	363
	61 1553 2158	sRF B/ 2x1.5/8" (52)	50 - 52	58	137	25	361
	61 1553 2214	sRF B/ 2x2.1/4" (60)	59 - 60	70	161	25	431
	61 1553 0262	sRF B/ 2x62	60 - 62	70	161	25	412
	61 1553 0306	sRF B/ 3x6	5 - 6	12	63	50	75
	61 1553 0307	sRF B/ 3x7	6 - 7	12	63	50	75
	61 1553 0308	sRF B/ 3x8	7 - 8	12	63	50	75
	61 1553 0309	sRF B/ 3x9	8 - 9	12	63	50	75
	61 1553 0391	sRF B/ 3x9 M	9 - 10	12	63	50	75
	61 1553 0310	sRF B/ 3x10	10 - 11	12	63	50	75
	61 1553 0311	sRF B/ 3x11	10 - 11	22	91	50	137
	61 1553 3012	sRF B/ 3x12	11 - 12	22	91	50	137
	61 1553 0313	sRF B/ 3x13	12 - 13	22	91	50	130
	61 1553 0314	sRF B/ 3x1/2"S (14)	13 - 14	22	91	50	140
	61 1553 0338	sRF B/ 3x3/8" (16)	15 - 16	22	91	50	131
	61 1553 0312	sRF B/ 3x1/2" (17)	16 - 17	22	91	50	130
	61 1553 0358	sRF B/ 3x5/8" (23)	21 - 23	34	128	50	276
	61 1553 0327	sRF B/ 3x7/8"S (27)	26 - 27	34	128	50	231
	61 1553 0378	sRF B/ 3x7/8" (28)	27 - 28	34	128	50	231
	61 1553 3178	sRF B/ 3x7/8"M (30)	29 - 30	34	128	50	219
	61 1553 3118	sRF B/ 3x1.1/8" (38)	36 - 38	46	165	50	363
	61 1553 3114	sRF B/ 3x1.1/4" (40)	39 - 40	46	165	50	345
61 1553 3148	sRF B/ 3x1.5/8"S (49)	48 - 49	58	202	25	490	
61 1553 3158	sRF B/ 3x1.5/8" (52)	50 - 52	58	202	25	487	
	61 1553 1411	sRF B/ 4x11	10 - 11	22	119	50	173
	61 1553 1414	sRF B/ 4x1/2"S (14)	13 - 14	22	119	50	170
	61 1553 1412	sRF B/ 4x1/2" (17)	16 - 17	22	119	50	166
	61 1553 1478	sRF B/ 4x7/8" (28)	27 - 28	34	169	50	293
	61 1553 0511	sRF B/ 5x11	10 - 11	22	149	50	209
	61 1553 0512	sRF B/ 5x1/2" (17)	16 - 17	22	149	50	202
	61 1553 0578	sRF B/ 5x7/8" (28)	27 - 28	34	149	50	355
	61 1553 0405	sRF B/ 4x5	4 - 5	22	34	50	85
	61 1553 0455	sRF B/ 4x5.5	4.5 - 5.5	22	34	50	85
	61 1553 0406	sRF B/ 4x6	5 - 6	22	34	50	85
	61 1553 0407	sRF B/ 4x7	6 - 7	22	34	50	85
	61 1553 0408	sRF B/ 4x8	7 - 8	22	34	50	85
	61 1553 0409	sRF B/ 4x9	8 - 9	22	34	50	85
	61 1553 0411	sRF B/ 4x11	10 - 11	34	46	50	114
	61 1553 0413	sRF B/ 4x13	12 - 13	46	58	50	184
	61 1553 0414	sRF B/ 4x1/2"S (14)	13 - 14	46	58	50	184
	61 1553 0412	sRF B/ 4x1/2" (17)	16 - 17	46	58	50	184
	61 1553 0478	sRF B/ 4x7/8" (28)	27 - 28	70	83	25	286
	61 1553 0605	sRF B/ 6x5	4 - 5	22	67	50	150
	61 1553 0655	sRF B/ 6x5.5	4.5 - 5.5	22	67	50	150
	61 1553 0606	sRF B/ 6x6	5 - 6	22	67	50	150
	61 1553 0607	sRF B/ 6x7	6 - 7	22	67	50	150
	61 1553 0608	sRF B/ 6x8	7 - 8	22	67	50	150
	61 1553 0609	sRF B/ 6x9	8 - 9	22	67	50	150
	61 1553 0611	sRF B/ 6x11	10 - 11	34	67	50	160
	61 1553 0613	sRF B/ 6x13	12 - 13	46	93	50	230
	61 1553 0614	sRF B/ 6x1/2"S (14)	13 - 14	46	93	50	230
	61 1553 0612	sRF B/ 6x1/2" (17)	16 - 17	46	93	50	230
	61 1553 0678	sRF B/ 6x7/8" (28)	27 - 28	70	127	25	335

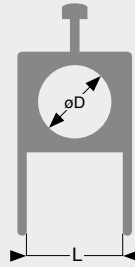
FIGURE	CODE	ARTICLE	ø D	L	h	BOX	WEIGHT (gr)
	61 1553 0805	sRF B/ 8x5	4 - 5	22	63	50	130
	61 1553 0855	sRF B/ 8x5.5	4.5 - 5.5	22	63	50	130
	61 1553 0806	sRF B/ 8x6	5 - 6	22	63	50	130
	61 1553 0807	sRF B/ 8x7	6 - 7	22	63	50	130
	61 1553 0808	sRF B/ 8x8	7 - 8	22	63	50	130
	61 1553 0809	sRF B/ 8x9	8 - 9	22	63	50	130
	61 1553 0811	sRF B/ 8x11	10 - 11	34	87	50	205
	61 1553 0813	sRF B/ 8x13	12 - 13	46	111	50	275
	61 1553 0814	sRF B/ 8x1/2"S (14)	13 - 14	46	111	50	275
	61 1553 0812	sRF B/ 8x1/2" (17)	16 - 17	46	111	50	275
61 1553 0878	sRF B/ 8x7/8" (28)	27 - 28	70	161	25	375	
	61 1553 2005	sRF B/ 10x5	4 - 5	22	91	50	145
	61 1553 2055	sRF B/ 10x5.5	4.5 - 5.5	22	91	50	145
	61 1553 2006	sRF B/ 10x6	5 - 6	22	91	50	145
	61 1553 2007	sRF B/ 10x7	6 - 7	22	91	50	145
	61 1553 2008	sRF B/ 10x8	7 - 8	22	91	50	145
	61 1553 2009	sRF B/ 10x9	8 - 9	22	91	50	145
	61 1553 2011	sRF B/ 10x11	10 - 11	34	128	50	230
	61 1553 2013	sRF B/ 10x13	12 - 13	46	165	50	350
	61 1553 2014	sRF B/ 10x1/2"S (14)	13 - 14	46	165	50	350
	61 1553 4212	sRF B/ 10x1/2" (17)	16 - 17	46	165	50	350
	61 1553 1205	sRF B/ 12x5	4 - 5	22	107	50	155
	61 1553 1255	sRF B/ 12x5.5	4.5 - 5.5	22	107	50	155
	61 1553 1206	sRF B/ 12x6	5 - 6	22	107	50	155
	61 1553 1207	sRF B/ 12x7	6 - 7	22	107	50	155
	61 1553 1208	sRF B/ 12x8	7 - 8	22	107	50	155
	61 1553 1209	sRF B/ 12x9	8 - 9	22	107	50	155
	61 1553 1211	sRF B/ 12x11	10 - 11	34	128	50	305
	61 1553 1213	sRF B/ 12x13	12 - 13	46	165	50	421
	61 1553 4214	sRF B/ 12x1/2"S (14)	13 - 14	46	165	50	421
	61 1553 1212	sRF B/ 12x1/2" (17)	16 - 17	46	165	50	421
61 1553 1278	sRF B/ 12x7/8" (28)	27 - 28	46	238	50	590	



**SRF B**  
**On Flat**



**SRF B**  
**On Flat**

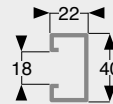
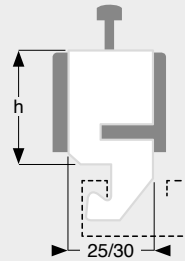


**sRF C - Self-Locking Cable Clamps**  
Complete with Calibrated Saddles

For 1/ 2/ 3/ 4/ 5/ 6/ 8/ 12 coaxial sRF cables.  
With use of **GRE-GRR-GRQ** elastic cushions allow fastening of waveguides.  
**Hooking on section 40x22 mm.**

**sRF C - Fixation Autobloquants**  
Complets de Garnitures Calibrées

Pour 1/ 2/ 3/ 4/ 5/ 6/ 8/ 12 câbles coaxiaux sRF. Avec l'emploi de garnitures élastiques **GRE-GRR-GRQ** permettent la fixation de guides d'onde.  
**Accrochage sur profilé PCI 40x22 mm.**



**MATERIAL**

<b>Metal Parts</b>	AISI 304 Stainless Steel
<b>Saddles</b>	Fiberglass P.A. U.V. Resistant Halogen Free
<b>Colour</b>	Black (Grey On Request)

FIGURE	CODE	ARTICLE	ø D	L	h	BOX	WEIGHT (gr)
	61 1554 0006	sRF C/ 1x6	5 - 6	12	25	50	48
	61 1554 0007	sRF C/ 1x7	6 - 7	12	25	50	48
	61 1554 0008	sRF C/ 1x8	7 - 8	12	25	50	48
	61 1554 0009	sRF C/ 1x9	8 - 9	12	25	50	48
	61 1554 0091	sRF C/ 1x9 M	9 - 10	12	25	50	48
	61 1554 0010	sRF C/ 1x10	10 - 11	12	25	50	48
	61 1554 0011	sRF C/ 1x11	10 - 11	22	34	50	80
	61 1554 1012	sRF C/ 1x12	11 - 12	22	34	50	80
	61 1554 0013	sRF C/ 1x13	12 - 13	22	34	50	80
	61 1554 0014	sRF C/ 1x1.2"S (14)	13 - 14	22	34	50	80
	61 1554 0038	sRF C/ 1x3/8" (16)	15 - 16	22	34	50	78
	61 1554 0012	sRF C/ 1x1/2" (17)	16 - 17	22	34	50	74
	61 1554 0058	sRF C/ 1x5/8" (23)	21 - 23	34	46	50	126
	61 1554 0027	sRF C/ 1x7/8"S (27)	26 - 27	34	46	50	124
	61 1554 0078	sRF C/ 1x7/8" (28)	27 - 28	34	46	50	124
	61 1554 1178	sRF C/ 1x7/8"M (30)	29 - 30	34	46	50	122
	61 1554 0118	sRF C/ 1x1.1/8" (38)	36 - 38	46	58	50	174
	61 1554 0114	sRF C/ 1x1.1/4" (40)	39 - 40	46	58	50	174
	61 1554 0148	sRF C/ 1x1.5/8"S (49)	48 - 49	58	72	25	217
	61 1554 0158	sRF C/ 1x1.5/8" (52)	50 - 52	58	72	25	216
	61 1554 1214	sRF C/ 1x2.1/4" (60)	59 - 60	70	83	25	256
	61 1554 0062	sRF C/ 1x62	60 - 62	70	83	25	246
	61 1554 0074	sRF C/ 1x3" (72)	72 - 74	80	94	25	330
61 1554 0076	sRF C/ 1x3"M (76)	74 - 76	80	94	25	330	
	61 1554 0206	sRF C/ 2x6	5 - 6	12	39	50	70
	61 1554 0207	sRF C/ 2x7	6 - 7	12	39	50	70
	61 1554 0208	sRF C/ 2x8	7 - 8	12	39	50	70
	61 1554 0209	sRF C/ 2x9	8 - 9	12	39	50	70
	61 1554 0291	sRF C/ 2x9 M	9 - 10	12	39	50	70
	61 1554 0210	sRF C/ 2x10	10 - 11	12	39	50	70
	61 1554 0211	sRF C/ 2x11	10 - 11	22	63	50	103
	61 1554 2012	sRF C/ 2x12	11 - 12	22	63	50	103










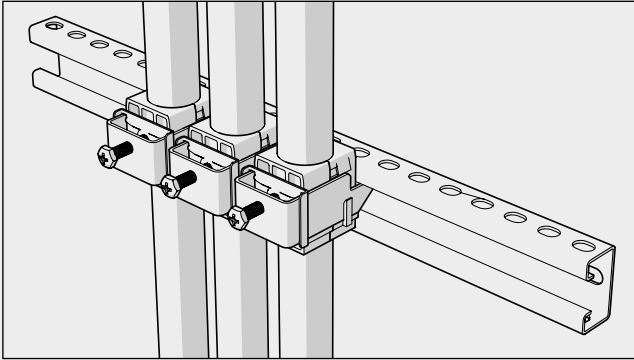
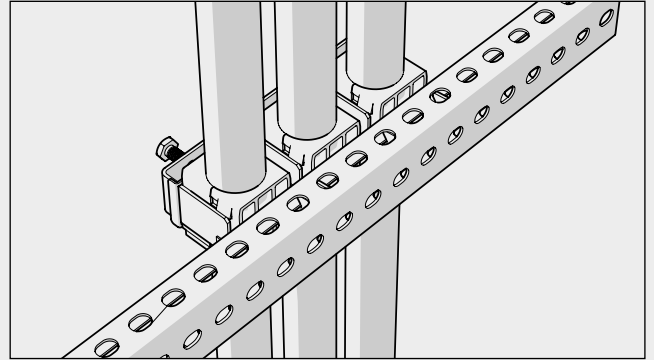
FIGURE	CODE	ARTICLE	ø D	L	h	BOX	WEIGHT (gr)
	61 1554 0213	sRF C/ 2x13	12 - 13	22	63	50	100
	61 1554 0214	sRF C/ 2x1/2" S (14)	13 - 14	22	63	50	105
	61 1554 0238	sRF C/ 2x3/8" (16)	15 - 16	22	63	50	100
	61 1554 0212	sRF C/ 2x1/2" (17)	16 - 17	22	63	50	99
	61 1554 0258	sRF C/ 2x5/8" (23)	21 - 23	34	87	50	209
	61 1554 0227	sRF C/ 2x7/8" S (27)	26 - 27	34	87	50	169
	61 1554 0278	sRF C/ 2x7/8" (28)	27 - 28	34	87	50	169
	61 1554 2178	sRF C/ 2x7/8" M (30)	29 - 30	34	87	50	159
	61 1554 2118	sRF C/ 2x1.1/8" (38)	36 - 38	46	111	50	265
	61 1554 2114	sRF C/ 2x1.1/4" (40)	39 - 40	46	111	50	252
	61 1554 2148	sRF C/ 2x1.5/8" S (49)	48 - 49	58	137	25	363
	61 1554 2158	sRF C/ 2x1.5/8" (52)	50 - 52	58	137	25	361
	61 1554 2214	sRF C/ 2x2.1/4" (60)	59 - 60	70	161	25	431
	61 1554 0262	sRF C/ 2x62	60 - 62	70	161	25	412
	61 1554 0306	sRF C/ 3x6	5 - 6	12	63	50	75
	61 1554 0307	sRF C/ 3x7	6 - 7	12	63	50	75
	61 1554 0308	sRF C/ 3x8	7 - 8	12	63	50	75
	61 1554 0309	sRF C/ 3x9	8 - 9	12	63	50	75
	61 1554 0391	sRF C/ 3x9 M	9 - 10	12	63	50	75
	61 1554 0310	sRF C/ 3x10	10 - 11	12	63	50	75
	61 1554 0311	sRF C/ 3x11	10 - 11	22	91	50	137
	61 1554 3012	sRF C/ 3x12	11 - 12	22	91	50	137
	61 1554 0313	sRF C/ 3x13	12 - 13	22	91	50	130
	61 1554 0314	sRF C/ 3x1/2" S (14)	13 - 14	22	91	50	140
	61 1554 0338	sRF C/ 3x3/8" (16)	15 - 16	22	91	50	131
	61 1554 0312	sRF C/ 3x1/2" (17)	16 - 17	22	91	50	130
	61 1554 0358	sRF C/ 3x5/8" (23)	21 - 23	34	128	50	276
	61 1554 0327	sRF C/ 3x7/8" S (27)	26 - 27	34	128	50	231
	61 1554 0378	sRF C/ 3x7/8" (28)	27 - 28	34	128	50	231
	61 1554 3178	sRF C/ 3x7/8" M (30)	29 - 30	34	128	50	219
	61 1554 3118	sRF C/ 3x1.1/8" (38)	36 - 38	46	165	50	363
	61 1554 3114	sRF C/ 3x1.1/4" (40)	39 - 40	46	165	50	345
	61 1554 3148	sRF C/ 3x1.5/8" S (49)	48 - 49	58	202	25	490
61 1554 3158	sRF C/ 3x1.5/8" (52)	50 - 52	58	202	25	487	
	61 1554 1411	sRF C/ 4x11	10 - 11	22	119	50	173
	61 1554 1414	sRF C/ 4x1/2" S (14)	13 - 14	22	119	50	170
	61 1554 1412	sRF C/ 4x1/2" (17)	16 - 17	22	119	50	166
	61 1554 1478	sRF C/ 4x7/8" (28)	27 - 28	34	169	50	293
	61 1554 0511	sRF C/ 5x11	10 - 11	22	149	50	209
	61 1554 0512	sRF C/ 5x1/2" (17)	16 - 17	22	149	50	202
	61 1554 0578	sRF C/ 5x7/8" (28)	27 - 28	34	149	50	355
	61 1554 0405	sRF C/ 4x5	4 - 5	22	34	50	85
	61 1554 0455	sRF C/ 4x5.5	4.5 - 5.5	22	34	50	85
	61 1554 0406	sRF C/ 4x6	5 - 6	22	34	50	85
	61 1554 0407	sRF C/ 4x7	6 - 7	22	34	50	85
	61 1554 0408	sRF C/ 4x8	7 - 8	22	34	50	85
	61 1554 0409	sRF C/ 4x9	8 - 9	22	34	50	85
	61 1554 0411	sRF C/ 4x11	10 - 11	34	46	50	114
	61 1554 0413	sRF C/ 4x13	12 - 13	46	58	50	184
	61 1554 0414	sRF C/ 4x1/2" S (14)	13 - 14	46	58	50	184
	61 1554 0412	sRF C/ 4x1/2" (17)	16 - 17	46	58	50	184
	61 1554 0478	sRF C/ 4x7/8" (28)	27 - 28	70	83	25	286
	61 1554 0605	sRF C/ 6x5	4 - 5	22	67	50	150
	61 1554 0655	sRF C/ 6x5.5	4.5 - 5.5	22	67	50	150
	61 1554 0606	sRF C/ 6x6	5 - 6	22	67	50	150
	61 1554 0607	sRF C/ 6x7	6 - 7	22	67	50	150
	61 1554 0608	sRF C/ 6x8	7 - 8	22	67	50	150
	61 1554 0609	sRF C/ 6x9	8 - 9	22	67	50	150
	61 1554 0611	sRF C/ 6x11	10 - 11	34	67	50	160
	61 1554 0613	sRF C/ 6x13	12 - 13	46	93	50	230
	61 1554 0614	sRF C/ 6x1/2" S (14)	13 - 14	46	93	50	230
	61 1554 0612	sRF C/ 6x1/2" (17)	16 - 17	46	93	50	230
61 1554 0678	sRF C/ 6x7/8" (28)	27 - 28	70	127	25	335	

FIGURE	CODE	ARTICLE	ø D	L	h	BOX	WEIGHT (gr)
	61 1554 0805	sRF C/ 8x5	4 - 5	22	63	50	130
	61 1554 0855	sRF C/ 8x5.5	4.5 - 5.5	22	63	50	130
	61 1554 0806	sRF C/ 8x6	5 - 6	22	63	50	130
	61 1554 0807	sRF C/ 8x7	6 - 7	22	63	50	130
	61 1554 0808	sRF C/ 8x8	7 - 8	22	63	50	130
	61 1554 0809	sRF C/ 8x9	8 - 9	22	63	50	130
	61 1554 0811	sRF C/ 8x11	10 - 11	34	87	50	205
	61 1554 0813	sRF C/ 8x13	12 - 13	46	111	50	275
	61 1554 0814	sRF C/ 8x1/2"S (14)	13 - 14	46	111	50	275
	61 1554 0812	sRF C/ 8x1/2" (17)	16 - 17	46	111	50	275
61 1554 0878	sRF C/ 8x7/8" (28)	27 - 28	70	161	25	375	
	61 1554 2005	sRF C/ 10x5	4 - 5	22	91	50	145
	61 1554 2055	sRF C/ 10x5.5	4.5 - 5.5	22	91	50	145
	61 1554 2006	sRF C/ 10x6	5 - 6	22	91	50	145
	61 1554 2007	sRF C/ 10x7	6 - 7	22	91	50	145
	61 1554 2008	sRF C/ 10x8	7 - 8	22	91	50	145
	61 1554 2009	sRF C/ 10x9	8 - 9	22	91	50	145
	61 1554 2011	sRF C/ 10x11	10 - 11	34	128	50	230
	61 1554 2013	sRF C/ 10x13	12 - 13	46	165	50	350
	61 1554 2014	sRF C/ 10x1/2"S (14)	13 - 14	46	165	50	350
	61 1554 4212	sRF C/ 10x1/2" (17)	16 - 17	46	165	50	350
	61 1554 1205	sRF C/ 12x5	4 - 5	22	107	50	155
	61 1554 1255	sRF C/ 12x5.5	4.5 - 5.5	22	107	50	155
	61 1554 1206	sRF C/ 12x6	5 - 6	22	107	50	155
	61 1554 1207	sRF C/ 12x7	6 - 7	22	107	50	155
	61 1554 1208	sRF C/ 12x8	7 - 8	22	107	50	155
	61 1554 1209	sRF C/ 12x9	8 - 9	22	107	50	155
	61 1554 1211	sRF C/ 12x11	10 - 11	34	128	50	305
	61 1554 1213	sRF C/ 12x13	12 - 13	46	165	50	421
	61 1554 4214	sRF C/ 12x1/2"S (14)	13 - 14	46	165	50	421
	61 1554 1212	sRF C/ 12x1/2" (17)	16 - 17	46	165	50	421
61 1554 1278	sRF C/ 12x7/8" (28)	27 - 28	46	238	50	590	



SRF C  
On PCI Section



SRF C  
On PCI Section

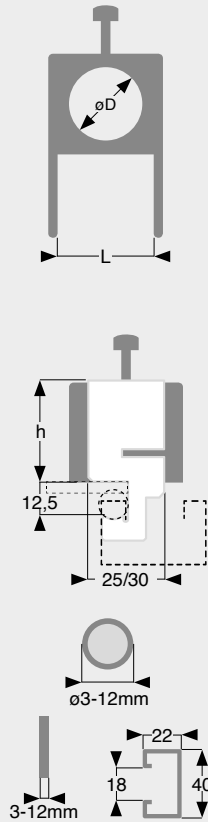


**sRF E - Self-Locking Cable Clamps**  
Complete with Calibrated Saddles

For 1/ 2/ 3/ 4/ 5/ 6/ 8/ 12 coaxial sRF cables.  
With use of **GRE-GRR-GRQ** elastic cushions allow fastening of waveguides.  
**Hooking on:** section 40x22, flat and round 3-12 mm.

**sRF E - Fixation Autobloquants**  
Complets de Garnitures Calibrées

Pour 1/ 2/ 3/ 4/ 5/ 6/ 8/ 12 câbles coaxiaux sRF. Avec l'emploi de garnitures élastiques **GRE-GRR-GRQ** permettent la fixation de guides d'onde.  
**Accrochage sur:** profilé PCI 40x22 mm, plat et rond 3-12 mm.



**MATERIAL**

<b>Metal Parts</b>	AISI 304 Stainless Steel
<b>Saddles</b>	Fiberglass P.A. U.V. Resistant Halogen Free
<b>Colour</b>	Black (Grey On Request)

FIGURE	CODE	ARTICLE	$\varnothing D$	L	h	BOX	WEIGHT (gr)	
	61 1558 0006	sRF E/ 1x6	5 - 6	12	25	50	48	
	61 1558 0007	sRF E/ 1x7	6 - 7	12	25	50	48	
	61 1558 0008	sRF E/ 1x8	7 - 8	12	25	50	48	
	61 1558 0009	sRF E/ 1x9	8 - 9	12	25	50	48	
	61 1558 0091	sRF E/ 1x9 M	9 - 10	12	25	50	48	
	61 1558 0010	sRF E/ 1x10	10 - 11	12	25	50	48	
	61 1558 0011	sRF E/ 1x11	10 - 11	22	34	50	80	
	61 1558 1012	sRF E/ 1x12	11 - 12	22	34	50	80	
	61 1558 0013	sRF E/ 1x13	12 - 13	22	34	50	80	
	61 1558 0014	sRF E/ 1x1 1/2" S (14)	13 - 14	22	34	50	80	
	61 1558 0038	sRF E/ 1x3/8" (16)	15 - 16	22	34	50	78	
	61 1558 0012	sRF E/ 1x1/2" (17)	16 - 17	22	34	50	74	
	61 1558 0058	sRF E/ 1x5/8" (23)	21 - 23	34	46	50	126	
	61 1558 0027	sRF E/ 1x7/8" S (27)	26 - 27	34	46	50	124	
	61 1558 0078	sRF E/ 1x7/8" (28)	27 - 28	34	46	50	124	
	61 1558 1178	sRF E/ 1x7/8" M (30)	29 - 30	34	46	50	122	
	61 1558 0118	sRF E/ 1x1.1/8" (38)	36 - 38	46	58	50	174	
	61 1558 0114	sRF E/ 1x1.1/4" (40)	39 - 40	46	58	50	174	
	61 1558 0148	sRF E/ 1x1.5/8" S (49)	48 - 49	58	72	25	217	
	61 1558 0158	sRF E/ 1x1.5/8" (52)	50 - 52	58	72	25	216	
	61 1558 1214	sRF E/ 1x2.1/4" (60)	59 - 60	70	83	25	256	
	61 1558 0062	sRF E/ 1x62	60 - 62	70	83	25	246	
	61 1558 0074	sRF E/ 1x3" (72)	72 - 74	80	94	25	330	
	61 1558 0076	sRF E/ 1x3" M (76)	74 - 76	80	94	25	330	
		61 1558 0206	sRF E/ 2x6	5 - 6	12	39	50	70
		61 1558 0207	sRF E/ 2x7	6 - 7	12	39	50	70
		61 1558 0208	sRF E/ 2x8	7 - 8	12	39	50	70
61 1558 0209		sRF E/ 2x9	8 - 9	12	39	50	70	
61 1558 0291		sRF E/ 2x9 M	9 - 10	12	39	50	70	
61 1558 0210		sRF E/ 2x10	10 - 11	12	39	50	70	
61 1558 0211		sRF E/ 2x11	10 - 11	22	63	50	103	
61 1558 2012		sRF E/ 2x12	11 - 12	22	63	50	103	









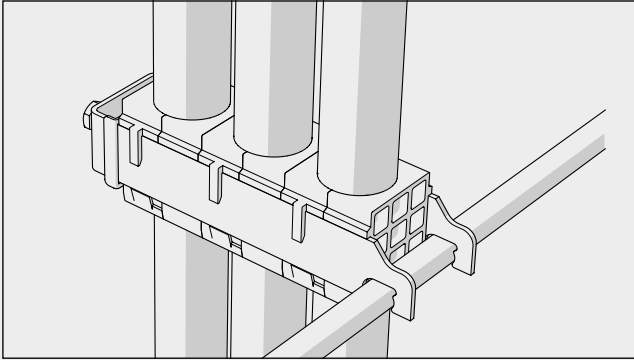
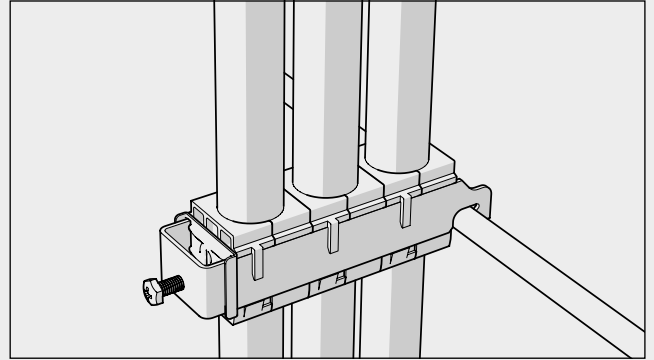
FIGURE	CODE	ARTICLE	ø D	L	h	BOX	WEIGHT (gr)
	61 1558 0213	sRF E/ 2x13	12 - 13	22	63	50	100
	61 1558 0214	sRF E/ 2x1/2" S (14)	13 - 14	22	63	50	105
	61 1558 0238	sRF E/ 2x3/8" (16)	15 - 16	22	63	50	100
	61 1558 0212	sRF E/ 2x1/2" (17)	16 - 17	22	63	50	99
	61 1558 0258	sRF E/ 2x5/8" (23)	21 - 23	34	87	50	209
	61 1558 0227	sRF E/ 2x7/8" S (27)	26 - 27	34	87	50	169
	61 1558 0278	sRF E/ 2x7/8" (28)	27 - 28	34	87	50	169
	61 1558 2178	sRF E/ 2x7/8" M (30)	29 - 30	34	87	50	159
	61 1558 2118	sRF E/ 2x1.1/8" (38)	36 - 38	46	111	50	265
	61 1558 2114	sRF E/ 2x1.1/4" (40)	39 - 40	46	111	50	252
	61 1558 2148	sRF E/ 2x1.5/8" S (49)	48 - 49	58	137	25	363
	61 1558 2158	sRF E/ 2x1.5/8" (52)	50 - 52	58	137	25	361
	61 1558 2214	sRF E/ 2x2.1/4" (60)	59 - 60	70	161	25	431
	61 1558 0262	sRF E/ 2x62	60 - 62	70	161	25	412
	61 1558 0306	sRF E/ 3x6	5 - 6	12	63	50	75
	61 1558 0307	sRF E/ 3x7	6 - 7	12	63	50	75
	61 1558 0308	sRF E/ 3x8	7 - 8	12	63	50	75
	61 1558 0309	sRF E/ 3x9	8 - 9	12	63	50	75
	61 1558 0391	sRF E/ 3x9 M	9 - 10	12	63	50	75
	61 1558 0310	sRF E/ 3x10	10 - 11	12	63	50	75
	61 1558 0311	sRF E/ 3x11	10 - 11	22	91	50	137
	61 1558 3012	sRF E/ 3x12	11 - 12	22	91	50	137
	61 1558 0313	sRF E/ 3x13	12 - 13	22	91	50	130
	61 1558 0314	sRF E/ 3x1/2" S (14)	13 - 14	22	91	50	140
	61 1558 0338	sRF E/ 3x3/8" (16)	15 - 16	22	91	50	131
	61 1558 0312	sRF E/ 3x1/2" (17)	16 - 17	22	91	50	130
	61 1558 0358	sRF E/ 3x5/8" (23)	21 - 23	34	128	50	276
	61 1558 0327	sRF E/ 3x7/8" S (27)	26 - 27	34	128	50	231
	61 1558 0378	sRF E/ 3x7/8" (28)	27 - 28	34	128	50	231
	61 1558 3178	sRF E/ 3x7/8" M (30)	29 - 30	34	128	50	219
	61 1558 3118	sRF E/ 3x1.1/8" (38)	36 - 38	46	165	50	363
	61 1558 3114	sRF E/ 3x1.1/4" (40)	39 - 40	46	165	50	345
	61 1558 3148	sRF E/ 3x1.5/8" S (49)	48 - 49	58	202	25	490
61 1558 3158	sRF E/ 3x1.5/8" (52)	50 - 52	58	202	25	487	
	61 1558 1411	sRF E/ 4x11	10 - 11	22	119	50	173
	61 1558 1414	sRF E/ 4x1/2" S (14)	13 - 14	22	119	50	170
	61 1558 1412	sRF E/ 4x1/2" (17)	16 - 17	22	119	50	166
	61 1558 1478	sRF E/ 4x7/8" (28)	27 - 28	34	169	50	293
	61 1558 0511	sRF E/ 5x11	10 - 11	22	149	50	209
	61 1558 0512	sRF E/ 5x1/2" (17)	16 - 17	22	149	50	202
	61 1558 0578	sRF E/ 5x7/8" (28)	27 - 28	34	149	50	355
	61 1558 0405	sRF E/ 4x5	4 - 5	22	34	50	85
	61 1558 0455	sRF E/ 4x5.5	4.5 - 5.5	22	34	50	85
	61 1558 0406	sRF E/ 4x6	5 - 6	22	34	50	85
	61 1558 0407	sRF E/ 4x7	6 - 7	22	34	50	85
	61 1558 0408	sRF E/ 4x8	7 - 8	22	34	50	85
	61 1558 0409	sRF E/ 4x9	8 - 9	22	34	50	85
	61 1558 0411	sRF E/ 4x11	10 - 11	34	46	50	114
	61 1558 0413	sRF E/ 4x13	12 - 13	46	58	50	184
	61 1558 0414	sRF E/ 4x1/2" S (14)	13 - 14	46	58	50	184
	61 1558 0412	sRF E/ 4x1/2" (17)	16 - 17	46	58	50	184
	61 1558 0478	sRF E/ 4x7/8" (28)	27 - 28	70	83	25	286
	61 1558 0605	sRF E/ 6x5	4 - 5	22	67	50	150
	61 1558 0655	sRF E/ 6x5.5	4.5 - 5.5	22	67	50	150
	61 1558 0606	sRF E/ 6x6	5 - 6	22	67	50	150
	61 1558 0607	sRF E/ 6x7	6 - 7	22	67	50	150
	61 1558 0608	sRF E/ 6x8	7 - 8	22	67	50	150
	61 1558 0609	sRF E/ 6x9	8 - 9	22	67	50	150
	61 1558 0611	sRF E/ 6x11	10 - 11	34	67	50	160
	61 1558 0613	sRF E/ 6x13	12 - 13	46	93	50	230
	61 1558 0614	sRF E/ 6x1/2" S (14)	13 - 14	46	93	50	230
	61 1558 0612	sRF E/ 6x1/2" (17)	16 - 17	46	93	50	230
	61 1558 0678	sRF E/ 6x7/8" (28)	27 - 28	70	127	25	335

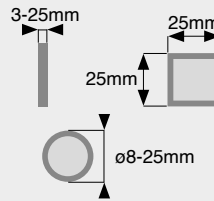
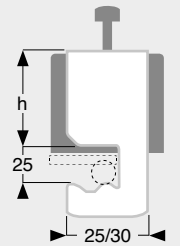
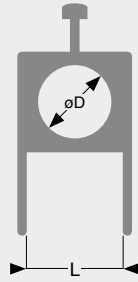
FIGURE	CODE	ARTICLE	ø D	L	h	BOX	WEIGHT (gr)
	61 1558 0805	sRF E/ 8x5	4 - 5	22	63	50	130
	61 1558 0855	sRF E/ 8x5.5	4.5 - 5.5	22	63	50	130
	61 1558 0806	sRF E/ 8x6	5 - 6	22	63	50	130
	61 1558 0807	sRF E/ 8x7	6 - 7	22	63	50	130
	61 1558 0808	sRF E/ 8x8	7 - 8	22	63	50	130
	61 1558 0809	sRF E/ 8x9	8 - 9	22	63	50	130
	61 1558 0811	sRF E/ 8x11	10 - 11	34	87	50	205
	61 1558 0813	sRF E/ 8x13	12 - 13	46	111	50	275
	61 1558 0814	sRF E/ 8x1/2"S (14)	13 - 14	46	111	50	275
	61 1558 0812	sRF E/ 8x1/2" (17)	16 - 17	46	111	50	275
	61 1558 0878	sRF E/ 8x7/8" (28)	27 - 28	70	161	25	375
	61 1558 2005	sRF E/ 10x5	4 - 5	22	91	50	145
	61 1558 2055	sRF E/ 10x5.5	4.5 - 5.5	22	91	50	145
	61 1558 2006	sRF E/ 10x6	5 - 6	22	91	50	145
	61 1558 2007	sRF E/ 10x7	6 - 7	22	91	50	145
	61 1558 2008	sRF E/ 10x8	7 - 8	22	91	50	145
	61 1558 2009	sRF E/ 10x9	8 - 9	22	91	50	145
	61 1558 2011	sRF E/ 10x11	10 - 11	34	128	50	230
	61 1558 2013	sRF E/ 10x13	12 - 13	46	165	50	350
	61 1558 2014	sRF E/ 10x1/2"S (14)	13 - 14	46	165	50	350
	61 1558 4212	sRF E/ 10x1/2" (17)	16 - 17	46	165	50	350
	61 1558 1205	sRF E/ 12x5	4 - 5	22	107	50	155
	61 1558 1255	sRF E/ 12x5.5	4.5 - 5.5	22	107	50	155
	61 1558 1206	sRF E/ 12x6	5 - 6	22	107	50	155
	61 1558 1207	sRF E/ 12x7	6 - 7	22	107	50	155
	61 1558 1208	sRF E/ 12x8	7 - 8	22	107	50	155
	61 1558 1209	sRF E/ 12x9	8 - 9	22	107	50	155
	61 1558 1211	sRF E/ 12x11	10 - 11	34	128	50	305
	61 1558 1213	sRF E/ 12x13	12 - 13	46	165	50	421
	61 1558 4214	sRF E/ 12x1/2"S (14)	13 - 14	46	165	50	421
	61 1558 1212	sRF E/ 12x1/2" (17)	16 - 17	46	165	50	421
	61 1558 1278	sRF E/ 12x7/8" (28)	27 - 28	46	238	50	590



SRF E  
On Round



SRF E  
On Round



**sRF M - Self-Locking Cable Clamps**  
Complete with Calibrated Saddles

For 1/ 2/ 3/ 4/ 5/ 6/ 8/ 12 coaxial sRF cables.  
With use of **GRE-GRR-GRQ** elastic cushions allow fastening of waveguides.  
Hooking on round  $\phi$  8-25 and flat 3-25 mm.

**sRF M - Fixation Autobloquants**  
Complets de Garnitures Calibrées

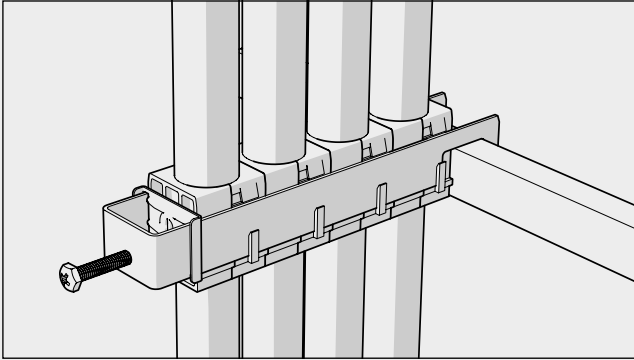
Pour 1/ 2/ 3/ 4/ 5/ 6/ 8/ 12 câbles coaxiaux sRF. Avec l'emploi de garnitures élastiques **GRE-GRR-GRQ** permettent la fixation de guides d'onde.  
Accrochage sur rond  $\phi$  8-25 et plat 3-25 mm.

MATERIAL	
<b>Metal Parts</b>	AISI 304 Stainless Steel
<b>Saddles</b>	Fiberglass P.A. U.V. Resistant Halogen Free
<b>Colour</b>	Black (Grey On Request)

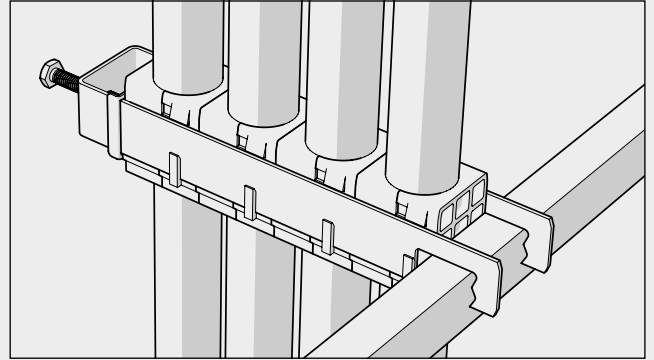
FIGURE	CODE	ARTICLE	$\phi$ D	L	h	BOX	WEIGHT (gr)	
	61 1556 0006	sRF M/ 1x6	5 - 6	12	25	50	48	
	61 1556 0007	sRF M/ 1x7	6 - 7	12	25	50	48	
	61 1556 0008	sRF M/ 1x8	7 - 8	12	25	50	48	
	61 1556 0009	sRF M/ 1x9	8 - 9	12	25	50	48	
	61 1556 0091	sRF M/ 1x9 M	9 - 10	12	25	50	48	
	61 1556 0010	sRF M/ 1x10	10 - 11	12	25	50	48	
	61 1556 0011	sRF M/ 1x11	10 - 11	22	34	50	80	
	61 1556 1012	sRF M/ 1x12	11 - 12	22	34	50	80	
	61 1556 0013	sRF M/ 1x13	12 - 13	22	34	50	80	
	61 1556 0014	sRF M/ 1x1.2" S (14)	13 - 14	22	34	50	80	
	61 1556 0038	sRF M/ 1x3/8" (16)	15 - 16	22	34	50	78	
	61 1556 0012	sRF M/ 1x1/2" (17)	16 - 17	22	34	50	74	
	61 1556 0058	sRF M/ 1x5/8" (23)	21 - 23	34	46	50	126	
	61 1556 0027	sRF M/ 1x7/8" S (27)	26 - 27	34	46	50	124	
	61 1556 0078	sRF M/ 1x7/8" (28)	27 - 28	34	46	50	124	
	61 1556 1178	sRF M/ 1x7/8" M (30)	29 - 30	34	46	50	122	
	61 1556 0118	sRF M/ 1x1.1/8" (38)	36 - 38	46	58	50	174	
	61 1556 0114	sRF M/ 1x1.1/4" (40)	39 - 40	46	58	50	174	
	61 1556 0148	sRF M/ 1x1.5/8" S (49)	48 - 49	58	72	25	217	
	61 1556 0158	sRF M/ 1x1.5/8" (52)	50 - 52	58	72	25	216	
	61 1556 1214	sRF M/ 1x2.1/4" (60)	59 - 60	70	83	25	256	
	61 1556 0062	sRF M/ 1x62	60 - 62	70	83	25	246	
	61 1556 0074	sRF M/ 1x3" (72)	72 - 74	80	94	25	330	
	61 1556 0076	sRF M/ 1x3" M (76)	74 - 76	80	94	25	330	
		61 1556 0206	sRF M/ 2x6	5 - 6	12	39	50	70
		61 1556 0207	sRF M/ 2x7	6 - 7	12	39	50	70
		61 1556 0208	sRF M/ 2x8	7 - 8	12	39	50	70
61 1556 0209		sRF M/ 2x9	8 - 9	12	39	50	70	
61 1556 0291		sRF M/ 2x9 M	9 - 10	12	39	50	70	
61 1556 0210		sRF M/ 2x10	10 - 11	12	39	50	70	
61 1556 0211		sRF M/ 2x11	10 - 11	22	63	50	103	
61 1556 2012		sRF M/ 2x12	11 - 12	22	63	50	103	
61 1556 0213		sRF M/ 2x13	12 - 13	22	63	50	100	

FIGURE	CODE	ARTICLE	ø D	L	h	BOX	WEIGHT (gr)
	61 1556 0214	sRF M/ 2x1/2"S (14)	13 - 14	22	63	50	105
	61 1556 0238	sRF M/ 2x3/8" (16)	15 - 16	22	63	50	100
	61 1556 0212	sRF M/ 2x1/2" (17)	16 - 17	22	63	50	99
	61 1556 0258	sRF M/ 2x5/8" (23)	21 - 23	34	87	50	209
	61 1556 0227	sRF M/ 2x7/8"S (27)	26 - 27	34	87	50	169
	61 1556 0278	sRF M/ 2x7/8" (28)	27 - 28	34	87	50	169
	61 1556 2178	sRF M/ 2x7/8"M (30)	29 - 30	34	87	50	159
	61 1556 2118	sRF M/ 2x1.1/8" (38)	36 - 38	46	111	50	265
	61 1556 2114	sRF M/ 2x1.1/4" (40)	39 - 40	46	111	50	252
	61 1556 2148	sRF M/ 2x1.5/8"S (49)	48 - 49	58	137	25	363
	61 1556 2158	sRF M/ 2x1.5/8" (52)	50 - 52	58	137	25	361
	61 1556 2214	sRF M/ 2x2.1/4" (60)	59 - 60	70	161	25	431
61 1556 0262	sRF M/ 2x62	60 - 62	70	161	25	412	
	61 1556 0306	sRF M/ 3x6	5 - 6	12	63	50	75
	61 1556 0307	sRF M/ 3x7	6 - 7	12	63	50	75
	61 1556 0308	sRF M/ 3x8	7 - 8	12	63	50	75
	61 1556 0309	sRF M/ 3x9	8 - 9	12	63	50	75
	61 1556 0391	sRF M/ 3x9 M	9 - 10	12	63	50	75
	61 1556 0310	sRF M/ 3x10	10 - 11	12	63	50	75
	61 1556 0311	sRF M/ 3x11	10 - 11	22	91	50	137
	61 1556 3012	sRF M/ 3x12	11 - 12	22	91	50	137
	61 1556 0313	sRF M/ 3x13	12 - 13	22	91	50	130
	61 1556 0314	sRF M/ 3x1/2"S (14)	13 - 14	22	91	50	140
	61 1556 0338	sRF M/ 3x3/8" (16)	15 - 16	22	91	50	131
	61 1556 0312	sRF M/ 3x1/2" (17)	16 - 17	22	91	50	130
	61 1556 0358	sRF M/ 3x5/8" (23)	21 - 23	34	128	50	276
	61 1556 0327	sRF M/ 3x7/8"S (27)	26 - 27	34	128	50	231
	61 1556 0378	sRF M/ 3x7/8" (28)	27 - 28	34	128	50	231
	61 1556 3178	sRF M/ 3x7/8"M (30)	29 - 30	34	128	50	219
	61 1556 3118	sRF M/ 3x1.1/8" (38)	36 - 38	46	165	50	363
	61 1556 3114	sRF M/ 3x1.1/4" (40)	39 - 40	46	165	50	345
61 1556 3148	sRF M/ 3x1.5/8"S (49)	48 - 49	58	202	25	490	
61 1556 3158	sRF M/ 3x1.5/8" (52)	50 - 52	58	202	25	487	
	61 1556 1411	sRF M/ 4x11	10 - 11	22	119	50	173
	61 1556 1414	sRF M/ 4x1/2"S (14)	13 - 14	22	119	50	170
	61 1556 1412	sRF M/ 4x1/2" (17)	16 - 17	22	119	50	166
	61 1556 1478	sRF M/ 4x7/8" (28)	27 - 28	34	169	50	293
	61 1556 0511	sRF M/ 5x11	10 - 11	22	149	50	209
	61 1556 0512	sRF M/ 5x1/2" (17)	16 - 17	22	149	50	202
	61 1556 0578	sRF M/ 5x7/8" (28)	27 - 28	34	149	50	355
	61 1556 0405	sRF M/ 4x5	4 - 5	22	34	50	85
	61 1556 0455	sRF M/ 4x5.5	4.5 - 5.5	22	34	50	85
	61 1556 0406	sRF M/ 4x6	5 - 6	22	34	50	85
	61 1556 0407	sRF M/ 4x7	6 - 7	22	34	50	85
	61 1556 0408	sRF M/ 4x8	7 - 8	22	34	50	85
	61 1556 0409	sRF M/ 4x9	8 - 9	22	34	50	85
	61 1556 0411	sRF M/ 4x11	10 - 11	34	46	50	114
	61 1556 0413	sRF M/ 4x13	12 - 13	46	58	50	184
	61 1556 0414	sRF M/ 4x1/2"S (14)	13 - 14	46	58	50	184
	61 1556 0412	sRF M/ 4x1/2" (17)	16 - 17	46	58	50	184
61 1556 0478	sRF M/ 4x7/8" (28)	27 - 28	70	83	25	286	
	61 1556 0605	sRF M/ 6x5	4 - 5	22	67	50	150
	61 1556 0655	sRF M/ 6x5.5	4.5 - 5.5	22	67	50	150
	61 1556 0606	sRF M/ 6x6	5 - 6	22	67	50	150
	61 1556 0607	sRF M/ 6x7	6 - 7	22	67	50	150
	61 1556 0608	sRF M/ 6x8	7 - 8	22	67	50	150
	61 1556 0609	sRF M/ 6x9	8 - 9	22	67	50	150
	61 1556 0611	sRF M/ 6x11	10 - 11	34	67	50	160
	61 1556 0613	sRF M/ 6x13	12 - 13	46	93	50	230
	61 1556 0614	sRF M/ 6x1/2"S (14)	13 - 14	46	93	50	230
	61 1556 0612	sRF M/ 6x1/2" (17)	16 - 17	46	93	50	230
61 1556 0678	sRF M/ 6x7/8" (28)	27 - 28	70	127	25	335	

FIGURE	CODE	ARTICLE	ø D	L	h	BOX	WEIGHT (gr)
	61 1556 0805	sRF M/ 8x5	4 - 5	22	63	50	130
	61 1556 0855	sRF M/ 8x5.5	4.5 - 5.5	22	63	50	130
	61 1556 0806	sRF M/ 8x6	5 - 6	22	63	50	130
	61 1556 0807	sRF M/ 8x7	6 - 7	22	63	50	130
	61 1556 0808	sRF M/ 8x8	7 - 8	22	63	50	130
	61 1556 0809	sRF M/ 8x9	8 - 9	22	63	50	130
	61 1556 0811	sRF M/ 8x11	10 - 11	34	87	50	205
	61 1556 0813	sRF M/ 8x13	12 - 13	46	111	50	275
	61 1556 0814	sRF M/ 8x1/2"S (14)	13 - 14	46	111	50	275
	61 1556 0812	sRF M/ 8x1/2" (17)	16 - 17	46	111	50	275
61 1556 0878	sRF M/ 8x7/8" (28)	27 - 28	70	161	25	375	
	61 1556 2005	sRF M/ 10x5	4 - 5	22	91	50	145
	61 1556 2055	sRF M/ 10x5.5	4.5 - 5.5	22	91	50	145
	61 1556 2006	sRF M/ 10x6	5 - 6	22	91	50	145
	61 1556 2007	sRF M/ 10x7	6 - 7	22	91	50	145
	61 1556 2008	sRF M/ 10x8	7 - 8	22	91	50	145
	61 1556 2009	sRF M/ 10x9	8 - 9	22	91	50	145
	61 1556 2011	sRF M/ 10x11	10 - 11	34	128	50	230
	61 1556 2013	sRF M/ 10x13	12 - 13	46	165	50	350
	61 1556 2014	sRF M/ 10x1/2"S (14)	13 - 14	46	165	50	350
	61 1556 4212	sRF M/ 10x1/2" (17)	16 - 17	46	165	50	350
	61 1556 1205	sRF M/ 12x5	4 - 5	22	107	50	155
	61 1556 1255	sRF M/ 12x5.5	4.5 - 5.5	22	107	50	155
	61 1556 1206	sRF M/ 12x6	5 - 6	22	107	50	155
	61 1556 1207	sRF M/ 12x7	6 - 7	22	107	50	155
	61 1556 1208	sRF M/ 12x8	7 - 8	22	107	50	155
	61 1556 1209	sRF M/ 12x9	8 - 9	22	107	50	155
	61 1556 1211	sRF M/ 12x11	10 - 11	34	128	50	305
	61 1556 1213	sRF M/ 12x13	12 - 13	46	165	50	421
	61 1556 4214	sRF M/ 12x1/2"S (14)	13 - 14	46	165	50	421
	61 1556 1212	sRF M/ 12x1/2" (17)	16 - 17	46	165	50	421
61 1556 1278	sRF M/ 12x7/8" (28)	27 - 28	46	238	50	590	



SRF M  
On Flat



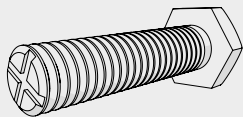
SRF M  
On Flat



**Self-Locking System Patented**



**Ribbed Pressure Plate Pat.**



**Self-Locking Screw Pat.**



**Patented**



**mRF - Self-locking Cable Clamps**  
Secure and Safe Locking

Self-locking mRF fasteners are the optimal solution for an easy and quick fastening to various supports of: coaxial cables and fiber optic cables.

The cables are firmly secured, without danger of deformation, by calibrated saddles which hold them without crushing. The installer can visually control the pressure exerted by the screw (pat.). Between 1 and 3 cables can be fastened with the same clamp. The calibrated saddles, with flexible hinge, can be inserted either frontally or laterally in the bow.

**Main features:**

- simple and strong structure
- selected high quality materials
- resistance to atmospheric factors (U.V. rays, salty air, a.s.o.)
- high resistance to temperature variations (from -30°C to +120°C)
- absolute safety for cables and installers
- easy and quick installation

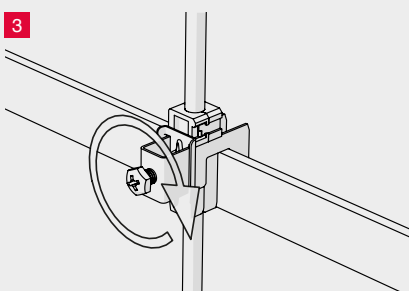
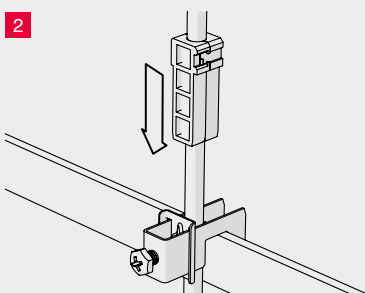
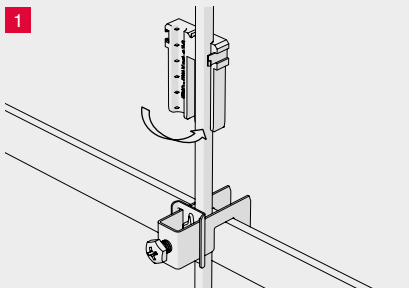
**mRF - Fixation Autobloquants**  
À Blocage Sûr et Anti écrasement

*Les fixation autobloquants de la série mRF sont la solution parfaite pour une fixation commode et rapide à différentes structures de: câbles coaxiaux et câbles à fibres optiques. Les câbles sont bloqués fixement, sans risque de déformation à l'aide de selles calibrées et capables de les contenir mais sans les écraser.*

*L'installateur contrôle visuellement la pression exercée par la vis (brev.). Il sera possible de poser de 1 à 3 câbles par attache. Les garnitures calibrées, avec charnière flexible, peuvent être insérées, selon nécessité, à l'avant ou latéralement dans le cavalier.*

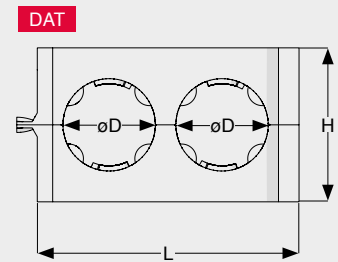
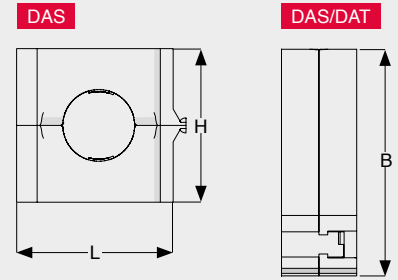
**Caractéristiques principales:**

- structure simple et robuste
- matériel sélectionné de haute qualité
- résistance aux Agents atmosphériques (U.V., salins etc.)
- résistance aux chocs thermiques (-30°C à +120°C)
- sécurité pour les câbles et pour l'installateur
- facilité et rapidité de pose



# DAS · DAT

## Saddles



### MATERIAL

<b>Saddles</b>	Fiberglass P.A. U.V. Resistant Halogen Free
<b>Colour</b>	Black (Grey on Request)

### DAS - Calibrated Double Saddles With Flexible Hinge

### DAT - Calibrated Double Twin Saddles With Flexible Hinge

The two hinged half saddles are calibrated on the diameter of coaxial cables. Its closure system allows a provisional locking onto the cable, allowing to slip and being introduced laterally inside the bow of the mRF cable clamp.

### DAS - Double-garnitures Calibrées Simples

Avec Charnière Flexible

### DAT - Jumelées-garnitures Calibrées Jumelées

Avec Charnière Flexible

Garniture calibrée sur les diamètres des câbles coaxiaux, articulée, avec fermeture à déclic permettant l'application d'un antichute sur le câble lui-même. La garniture reste libre de glisser sur le câble afin d'être insérée latéralement dans le cavalier de l'attache mRF.

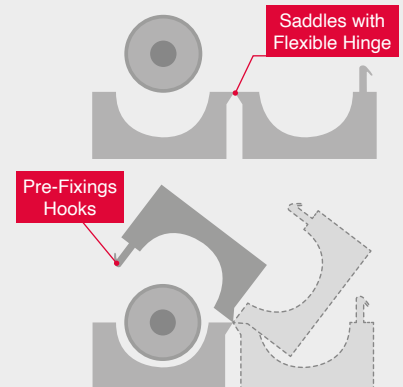


FIGURE	CODE	ARTICLE	ø D	H	L	B	BAG	BOX	WEIGHT (gr)	
	61 3320 2005	DAS 5	4 - 5	15	12	45	25	500	5	
	61 3320 2006	DAS 6	5 - 6	15	12	45	25	500	5	
	61 3320 2007	DAS 7	6 - 7	15	12	45	25	500	5	
	61 3320 2008	DAS 8	7 - 8	15	12	45	25	500	4.5	
	61 3320 2009	DAS 9	8 - 9	15	12	45	25	500	4	
	61 3320 2010	DAS 10	10 - 11	15	12	45	25	500	4	
	61 3320 2012	DAS 1/2" (17)	16 - 17	27	22	45	25	500	8	
	61 3320 2078	DAS 7/8" (28)	27 - 28	38	34	45	25	500	16	
		61 3320 2206	DAT 2x6	5 - 6	15	22	45	25	500	6.5
		61 3320 2207	DAT 2x7	6 - 7	15	22	45	25	500	6
61 3320 2208		DAT 2x8	7 - 8	15	22	45	25	500	6	
61 3320 2209		DAT 2x9	8 - 9	15	22	45	25	500	5	
61 3320 2210		DAT 2x10	9 - 10	15	22	45	25	500	4.5	

# MRF B

## Cable Clamps



### mRF B - Self-Locking Mini Cable Clamps With Hinged DAS/DAT Saddles

Speedy and easy installation due to the special hinged **DAS/DAT** saddles. The hinged saddles are applied allowing a provisional locking onto the cables. The saddles slip on the cable for insertion in the bow. Final locking by tightening the self-locking screw.

Hooking on flat and round 3-12 mm

### mRF B - Mini Fixation Autobloquants Avec Garnitures Articulées DAS/DAT

Installation rapide et facile, facilitée par les garnitures spéciales articulées **DAS/DAT**. Les garnitures, appliquées sur les câbles, sont assurées; elles glissent librement sur les câbles eux-mêmes pour être enfilées dans le étrier. Le blocage s'effectue par serrage de la vis autobloquante.

Accrochage sur plat et rond 3-12 mm



#### MATERIAL

<b>Metal Parts</b>	AISI 304 Stainless Steel
<b>Saddle</b>	Fiberglass P.A., U.V. Resistant Halogen Free
<b>Colour</b>	Black (Grey on Request)

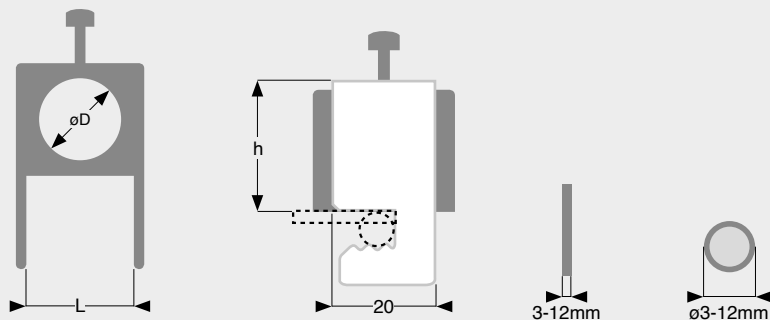


FIGURE	CODE	ARTICLE	ø D	L	h	BOX	WEIGHT (gr)
	61 1582 0005	mRF B/ 1x5	4 - 5	12	24	50	28
	61 1582 0006	mRF B/ 1x6	5 - 6	12	24	50	28
	61 1582 0007	mRF B/ 1x7	6 - 7	12	24	50	28
	61 1582 0008	mRF B/ 1x8	7 - 8	12	24	50	28
	61 1582 0009	mRF B/ 1x9	8 - 9	12	24	50	25
	61 1582 0010	mRF B/ 1x10	10 - 11	12	24	50	25
	61 1582 0012	mRF B/ 1x1/2" (17)	16 - 17	22	34	50	55
	61 1582 0078	mRF B/ 1x7/8" (28)	27 - 28	34	46	50	85
	61 1582 0205	mRF B/ 2x5	4 - 5	12	39	50	38
	61 1582 0206	mRF B/ 2x6	5 - 6	12	39	50	38
	61 1582 0207	mRF B/ 2x7	6 - 7	12	39	50	38
	61 1582 0208	mRF B/ 2x8	7 - 8	12	39	50	38
	61 1582 0209	mRF B/ 2x9	8 - 9	12	39	50	34
	61 1582 0210	mRF B/ 2x10	10 - 11	12	39	50	34
	61 1582 0212	mRF B/ 2x1/2" (17)	16 - 17	22	63	50	99
	61 1582 0278	mRF B/ 2x7/8" (28)	27 - 28	34	87	50	169
	61 1582 0305	mRF B/ 3x5	4 - 5	12	55	50	48
	61 1582 0306	mRF B/ 3x6	5 - 6	12	55	50	48
	61 1582 0307	mRF B/ 3x7	6 - 7	12	55	50	48
	61 1582 0308	mRF B/ 3x8	7 - 8	12	55	50	48
	61 1582 0309	mRF B/ 3x9	8 - 9	12	55	50	42
	61 1582 0310	mRF B/ 3x10	10 - 11	12	55	50	42
61 1582 0312	mRF B/ 3x1/2" (17)	16 - 17	22	91	50	130	
61 1582 0378	mRF B/ 3x7/8" (28)	27 - 28	34	128	50	231	

\*Cable Clamps available also with DAT saddles



### mRF C - Self-Locking Mini Cable Clamps With Hinged DAS/DAT Saddles

Speedy and easy installation due to the special hinged **DAS/DAT** saddles. The hinged saddles are applied allowing a provisional locking onto the cables. The saddles

slip on the cable for insertion in the bow. Final locking by tightening the self-locking screw.

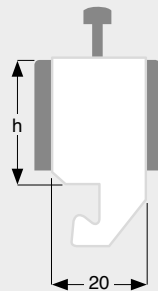
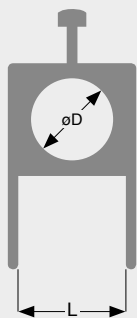
**Hooking on section 40x22 mm.**

### mRF C - Mini Fixation Autobloquants Avec Garnitures Articulées DAS/DAT

*Installation rapide et facile, facilitée par les garnitures spéciales articulées **DAS/DAT**.*

*Les garnitures, appliquées sur les câbles, sont assurées; elles glissent librement sur les câbles eux-mêmes pour être enfilées dans le cavalier. Le blocage s'effectue par serrage de la vis autobloquante.*

**Accrochage sur profilé PCI 40x22 mm.**



PCI 40x22

#### MATERIAL

<b>Metal Parts</b>	AISI 304 Stainless Steel
<b>Saddle</b>	Fiberglass P.A., U.V. Resistant Halogen Free
<b>Colour</b>	Black (Grey on Request)

FIGURE	CODE	ARTICLE	ø D	L	h	BOX	WEIGHT (gr)	
	61 1581 0005	mRF C/ 1x5	4 - 5	12	24	50	28	
	61 1581 0006	mRF C/ 1x6	5 - 6	12	24	50	28	
	61 1581 0007	mRF C/ 1x7	6 - 7	12	24	50	28	
	61 1581 0008	mRF C/ 1x8	7 - 8	12	24	50	28	
	61 1581 0009	mRF C/ 1x9	8 - 9	12	24	50	25	
	61 1581 0010	mRF C/ 1x10	10 - 11	12	24	50	25	
	61 1581 0012	mRF C/ 1x1/2" (17)	16 - 17	22	34	50	55	
	61 1581 0078	mRF C/ 1x7/8" (28)	27 - 28	34	46	50	85	
		61 1581 0205	mRF C/ 2x5	4 - 5	12	39	50	38
		61 1581 0206	mRF C/ 2x6	5 - 6	12	39	50	38
61 1581 0207		mRF C/ 2x7	6 - 7	12	39	50	38	
61 1581 0208		mRF C/ 2x8	7 - 8	12	39	50	38	
61 1581 0209		mRF C/ 2x9	8 - 9	12	39	50	34	
61 1581 0210		mRF C/ 2x10	10 - 11	12	39	50	34	
61 1581 0212		mRF C/ 2x1/2" (17)	16 - 17	22	63	50	99	
61 1581 0278		mRF C/ 2x7/8" (28)	27 - 28	34	87	50	169	
	61 1581 0305	mRF C/ 3x5	4 - 5	12	55	50	48	
	61 1581 0306	mRF C/ 3x6	5 - 6	12	55	50	48	
	61 1581 0307	mRF C/ 3x7	6 - 7	12	55	50	48	
	61 1581 0308	mRF C/ 3x8	7 - 8	12	55	50	48	
	61 1581 0309	mRF C/ 3x9	8 - 9	12	55	50	42	
	61 1581 0310	mRF C/ 3x10	10 - 11	12	55	50	42	
	61 1581 0312	mRF C/ 3x1/2" (17)	16 - 17	22	91	50	130	
	61 1581 0378	mRF C/ 3x7/8" (28)	27 - 28	34	128	50	231	

\*Cable Clamps available also with DAT saddles



### mRF E - Self-Locking Mini Cable Clamps With Hinged DAS/DAT Saddles

Speedy and easy installation due to the special hinged **DAS/DAT** saddles. The hinged saddles are applied allowing a provisional locking onto the cables. The saddles slip on the cable for insertion in the bow. Final locking by tightening the self-locking screw. **Hooking on section PCI 40x22 mm, PSI 30x12 mm, on flat and round 3-12 mm.**

### mRF E - Mini Fixation Autobloquants Avec Garnitures Articulées DAS/DAT

*Installation rapide et facile, facilitée par les garnitures spéciales articulées **DAS/DAT**. Les garnitures, appliquées sur les câbles, sont assurées; elles glissent librement sur les câbles eux-mêmes pour être enfilées dans le cavalier de l'attache. Le blocage a lieu par serrage de la vis autobloquante.*

**Accrochage sur profil PCI 40x22 mm, PSI 30x12 mm, sur plat et rond 3-12 mm.**



#### MATERIAL

<b>Metal Parts</b>	AISI 304 Stainless Steel
<b>Saddle</b>	Fiberglass P.A., U.V. Resistant Halogen Free
<b>Colour</b>	Black (Grey on Request)

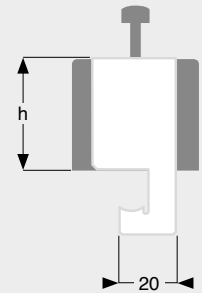
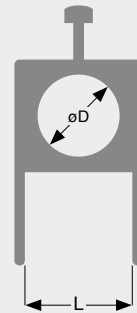
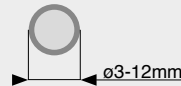
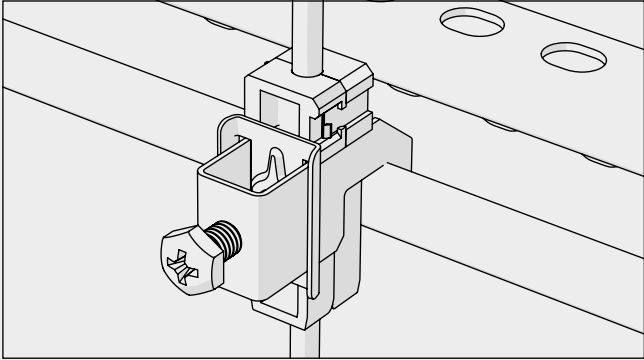
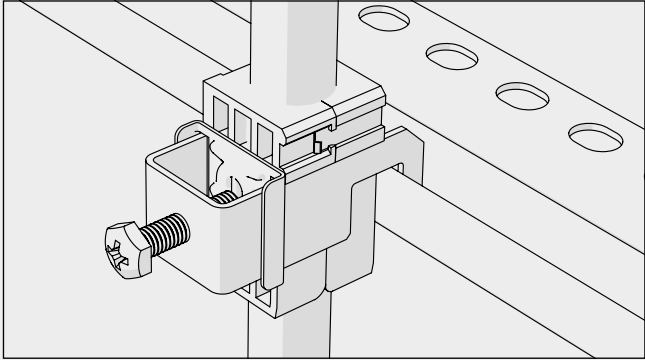


FIGURE	CODE	ARTICLE	ø D	L	h	BOX	WEIGHT (gr)	
	61 1549 0005	mRF E/ 1x5	4 - 5	12	24	50	28	
	61 1549 0006	mRF E/ 1x6	5 - 6	12	24	50	28	
	61 1549 0007	mRF E/ 1x7	6 - 7	12	24	50	28	
	61 1549 0008	mRF E/ 1x8	7 - 8	12	24	50	28	
	61 1549 0009	mRF E/ 1x9	8 - 9	12	24	50	25	
	61 1549 0010	mRF E/ 1x10	10 - 11	12	24	50	25	
	61 1549 0012	mRF E/ 1x1/2" (17)	16 - 17	22	34	50	55	
	61 1549 0078	mRF E/ 1x7/8" (28)	27 - 28	34	46	50	85	
		61 1549 0205	mRF E/ 2x5	4 - 5	12	39	50	38
		61 1549 0206	mRF E/ 2x6	5 - 6	12	39	50	38
61 1549 0207		mRF E/ 2x7	6 - 7	12	39	50	38	
61 1549 0208		mRF E/ 2x8	7 - 8	12	39	50	38	
61 1549 0209		mRF E/ 2x9	8 - 9	12	39	50	34	
61 1549 0210		mRF E/ 2x10	10 - 11	12	39	50	34	
61 1549 0212		mRF E/ 2x1/2" (17)	16 - 17	22	63	50	99	
61 1549 0278		mRF E/ 2x7/8" (28)	27 - 28	34	87	50	169	
	61 1549 0305	mRF E/ 3x5	4 - 5	12	55	50	48	
	61 1549 0306	mRF E/ 3x6	5 - 6	12	55	50	48	
	61 1549 0307	mRF E/ 3x7	6 - 7	12	55	50	48	
	61 1549 0308	mRF E/ 3x8	7 - 8	12	55	50	48	
	61 1549 0309	mRF E/ 3x9	8 - 9	12	55	50	42	
	61 1549 0310	mRF E/ 3x10	10 - 11	12	55	50	42	
	61 1549 0312	mRF E/ 3x1/2" (17)	16 - 17	22	91	50	130	
	61 1549 0378	mRF E/ 3x7/8" (28)	27 - 28	34	128	50	231	

\*Cable Clamps available also with DAT saddles



**MRF C**  
On PCI Section



**MRF E**  
On PCI Section



**BRF - Self-Locking Cable Clamps complete with Calibrated Stainless Steel Saddles**

Stainless Steel Clamps for large Cable and Pipe diameters.  
Reccommended for coax cables in broadcasting installations.

**Versions:**

1. **BRF A5** hooking on flat 50x50 mm angular
2. **BRF C** hooking on **PCI 40x22** section
3. **BRF M** hooking on flat 3-25 and rond 8-25

**Use:**

For 1 cable or tube diam. = D

**BRF - Fixations Autobloquants Complets de Garnitures Calibrées, en Acier Inox**

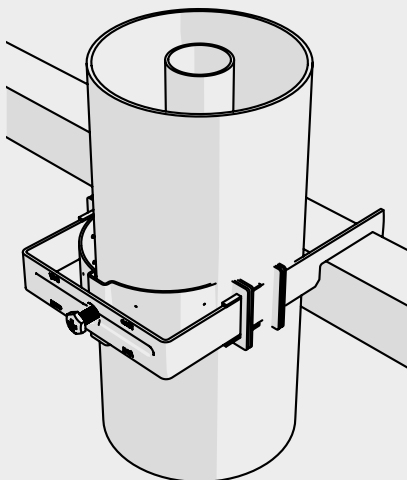
Fixation en acier inox adaptés à la fixation de câbles et de tubes de diamètre élevé.  
Particulièrement utiles pour les câbles coaxiaux du broadcasting.

**Versions:**

1. *bRF A5* accrochage à cornière 50x50 mm
2. *bRF C* accrochage sur profilé PCI 40x22
3. *bRF M* accrochage sur plat 3-25 et rond 8-25

**Emploi:**

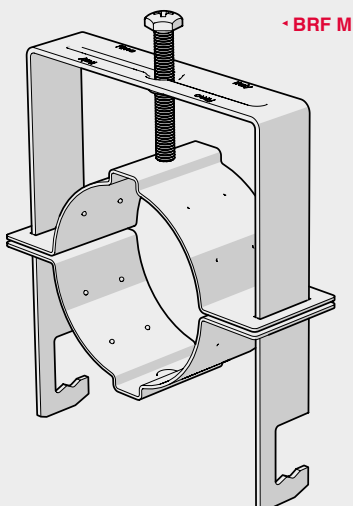
Pour un câble ou tube diamètre = D



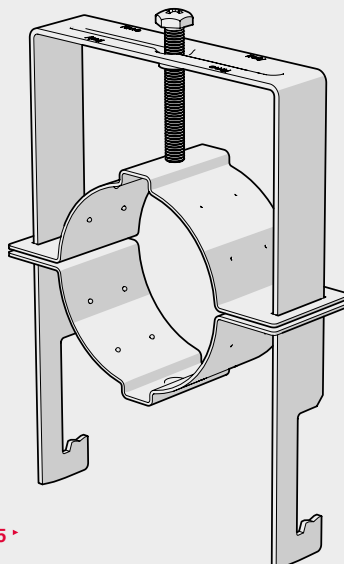
• BRF A5  
On Angular

**MATERIAL**

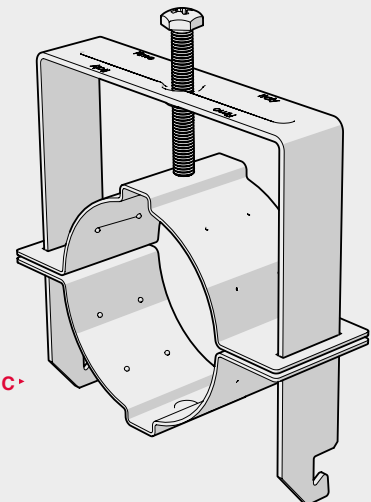
AISI 430 Stainless Steel



• BRF M



BRF A5 •



BRF C •

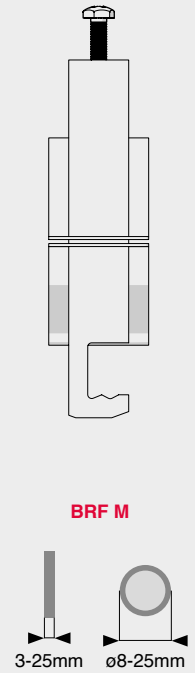
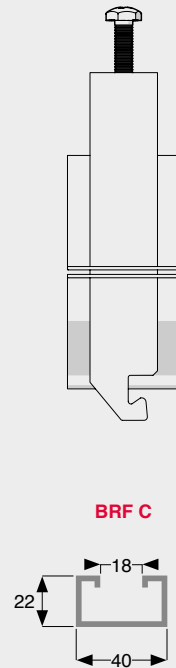
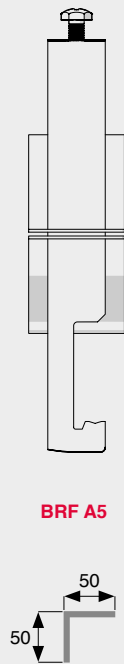
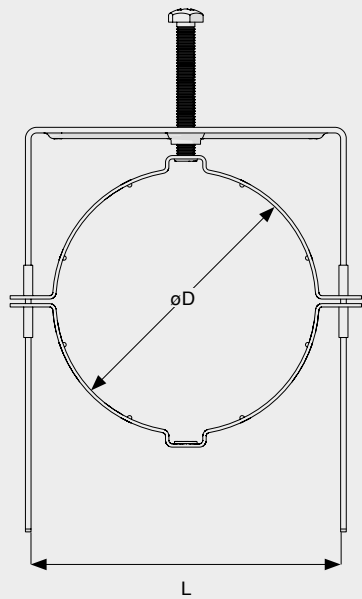
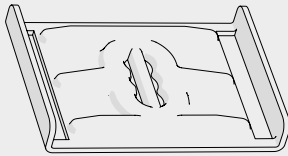


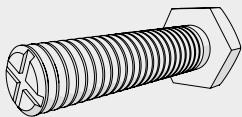
FIGURE	CODE	ARTICLE	FOR		$\phi D$	L	BOX	WEIGHT (gr)
			RFS	ANDREW				
 <b>BRF A5</b>	61 1500 0090	<b>bRF A5/ 1x90</b>	4" HCA 400	-	89 - 91	137	10	588
	61 1500 0102	<b>bRF A5/ 1x102</b>	-	4" HJ11	101 - 103	137	10	596
	61 1500 0115	<b>bRF A5/ 1x115</b>	5" HCA 495	-	114 - 116	137	10	605
	61 1500 0132	<b>bRF A5/ 1x132</b>	-	5" HJ9 HJ9HP	131 - 134	169	10	708
	61 1500 0147	<b>bRF A5/ 1x147</b>	5.1/2" HCA 550	-	146 - 148	169	10	718
	61 1500 0169	<b>bRF A5/ 1x169</b>	6.1/8" HCA 618	-	168 - 170	191	10	807
 <b>BRF C</b>	61 1501 0090	<b>bRF C/ 1x90</b>	4" HCA 400	-	89 - 91	137	10	539
	61 1501 0102	<b>bRF C/ 1x102</b>	-	4" HJ11	101 - 103	137	10	596
	61 1501 0115	<b>bRF C/ 1x115</b>	5" HCA 495	-	114 - 116	137	10	605
	61 1501 0132	<b>bRF C/ 1x132</b>	-	5" HJ9 HJ9HP	131 - 134	169	10	674
	61 1501 0147	<b>bRF C/ 1x147</b>	5.1/2" HCA 550	-	146 - 148	169	10	685
	61 1501 0169	<b>bRF C/ 1x169</b>	6.1/8" HCA 618	-	168 - 170	191	10	773
 <b>BRF M</b>	61 1502 0090	<b>bRF M/ 1x90</b>	4" HCA 400	-	89 - 91	137	10	558
	61 1502 0102	<b>bRF M/ 1x102</b>	-	4" HJ11	101 - 103	137	10	566
	61 1502 0115	<b>bRF M/ 1x115</b>	5" HCA 495	-	114 - 116	169	10	575
	61 1502 0132	<b>bRF M/ 1x132</b>	-	5" HJ9 HJ9HP	131 - 134	137	10	691
	61 1502 0147	<b>bRF M/ 1x147</b>	5.1/2" HCA 550	-	146 - 148	169	10	701
	61 1502 0169	<b>bRF M/ 1x169</b>	6.1/8" HCA 618	-	168 - 170	191	10	784



**Self-Locking System Patented**



**Ribbed Pressure Plate Pat.**



**Self-Locking Screw Pat.**



**Patented**

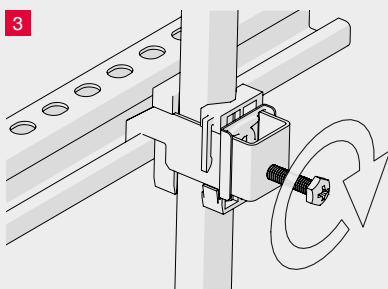
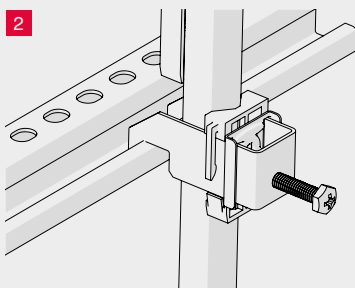
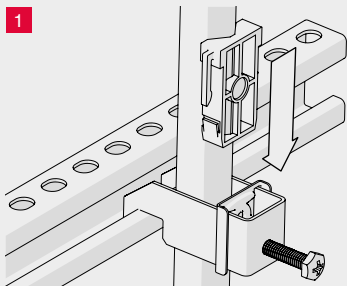


**OX - Clamps for Power Cables and Pipes**  
Secure and Safe Locking

OX cable clamps are suitable to install cables and pipes to different structures. OX cable clamps are provided with **SEP** "V" profile saddles, and suitable for a large range of cable diameters. Stocking is simplified

**OX - Fixations pour Conducteurs Électriques et Tubes**  
*Blocage Sûr Anti-écrasement*

*Les fixation de la série OX sont utiles pour fixer les câbles électriques et les tubes sur différentes structures. Les fixation OX sont équipés de garnitures **SEP** avec profilé interne en "V". Cela permet de fixer les câbles et les tubes de différents diamètres pour chaque mesure d'attache, pour simplifier leur stockage.*



**MATERIAL**

<b>Metal Parts</b>	AISI 304 Stainless Steel
<b>Saddle</b>	Fiberglass P.A. U.V. Resistant Halogen Free
<b>Colour</b>	Black (Grey on Request)

# SEP · SET

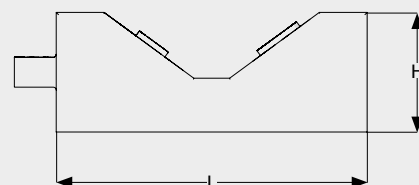
## Saddles



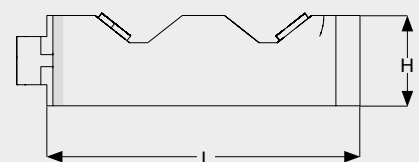
### MATERIAL

<b>Saddle</b>	Fiberglass P.A. U.V. Resistant Halogen Free
<b>Colour</b>	Black (Grey on Request)

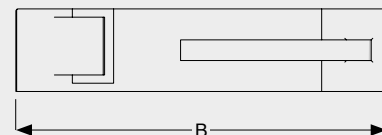
### SEP



### SET



### SEP/SET



### SEP - "V" Profiled Saddles

The SEP saddles of OX cable clamps, have a large "V". Profile, that allows the fastening of a large range of cables and pipes.

### SEP - Garnitures avec Profilé en "V"

Les garnitures SEP, des fixation de la série OX, présentent un profilé en "V" large. Ceci permet l'adaptation à de grandes excursions de diamètres pour la fixation de câbles électriques et de tubes.



FIGURE	CODE	ARTICLE	ø CABLES	L	H	B	BOX	WEIGHT (gr)
	60 3304 1230	SEP 12	6 - 12	12	7	40	100	3.5
	60 3304 1625	SEP 25/16	9 - 16	22	10	40	100	5.5
	60 3304 2230	SEP 22	12 - 22	22	10	45	100	5.5
	60 3304 3430	SEP 34	22 - 34	34	13	45	100	9
	60 3304 4630	SEP 46	34 - 46	46	15	53	50	16
	60 3304 5830	SEP 58	46 - 58	58	19	53	50	21.5
	60 3304 7030	SEP 70	58 - 70	70	19	53	50	22.5
	60 3304 8030	SEP 80	70 - 80	80	20	53	25	28
	60 3304 0825	SET 8x2	5 - 8	22	7.5	53	100	7.6
	60 3304 2246	SET 46/22	10 - 22	46	10	50	100	12.1
	60 3304 0746.02	SET 46/6.5	4.5 - 6.5	46	10	50	100	10
	60 3304 0746	SET 46/7	7	46	10	50	100	9.4

# OX A3

Cable Clamps



# OX A4



**OX A3 - Clamps for Power Cables and Pipes**  
Complete with Saddles

For 30x30 angular  
for 1, 2, 3 cables or pipes.

*OX A3 - Fixation pour Conducteurs Électriques et Tubes*  
*Configurations avec Garnitures*

*Pour cornière 30x30*  
*pour 1, 2, 3 câbles électriques ou tubes.*

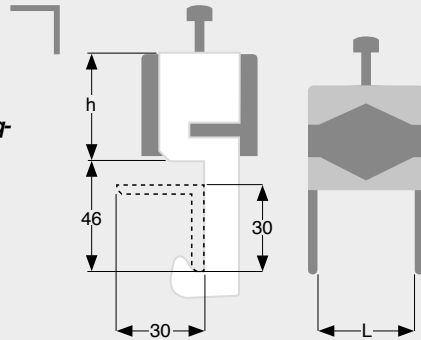
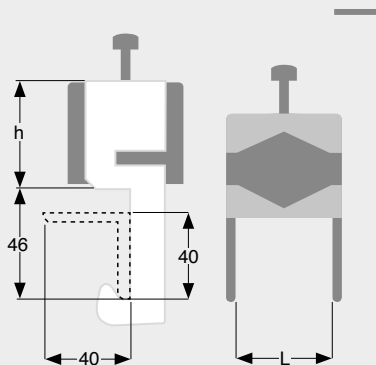


FIGURE	CODE	ARTICLE	N° CABLES	L	h	ø CABLES	BOX	WEIGHT (gr)
	60 1512 0801	OX A3 / 1 x 12	1	12	24	6 - 12	100	47
	60 1512 0803	OX A3 / 1 x 22	1	22	34	12 - 22	100	63
	60 1512 0805	OX A3 / 1 x 34	1	34	46	22 - 34	100	107
	60 1512 0807	OX A3 / 1 x 46	1	46	58	34 - 46	50	133
	60 1512 0809	OX A3 / 1 x 58	1	58	72	46 - 58	50	161
	60 1512 0811	OX A3 / 1 x 70	1	70	83	58 - 70	50	175
	60 1512 0814	OX A3 / 2 x 12	2	12	39	6 - 12	100	55
	60 1512 0816	OX A3 / 2 x 22	2	22	77	12 - 22	100	97
	60 1512 0818	OX A3 / 2 x 34	2	34	107	22 - 34	100	163
	60 1512 0820	OX A3 / 3 x 12	3	12	63	6 - 12	100	68
	60 1512 0822	OX A3 / 3 x 22	3	22	107	12 - 22	100	127
	60 1512 0824	OX A3 / 3 x 34	3	34	148	22 - 34	100	213



**OX A4 - Clamps for Power Cables and Pipes**  
Complete with Saddles

For 40x40 angular  
for 1, 2, 3 cables or pipes.

*OX A4 - Fixation pour Conducteurs Électriques et Tubes*  
*Configurations avec Garnitures*

*Pour cornière 40x40*  
*pour 1, 2, 3 câbles électriques ou tubes.*

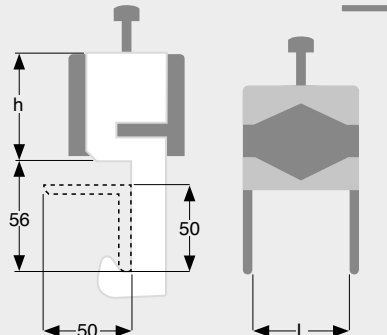
FIGURE	CODE	ARTICLE	N° CABLES	L	h	ø CABLES	BOX	WEIGHT (gr)
	60 1511 0801	OX A4 / 1 x 12	1	12	24	6 - 12	100	54
	60 1511 0803	OX A4 / 1 x 22	1	22	55	12 - 22	100	70
	60 1511 0805	OX A4 / 1 x 34	1	34	67	22 - 34	100	114
	60 1511 0807	OX A4 / 1 x 46	1	46	58	34 - 46	50	140
	60 1511 0809	OX A4 / 1 x 58	1	58	72	46 - 58	50	168
	60 1511 0811	OX A4 / 1 x 70	1	70	83	58 - 70	50	182
	60 1511 0814	OX A4 / 2 x 12	2	12	63	6 - 12	100	62
	60 1511 0816	OX A4 / 2 x 22	2	22	77	12 - 22	100	104
	60 1511 0818	OX A4 / 2 x 34	2	34	107	22 - 34	100	170
	60 1511 0820	OX A4 / 3 x 12	3	12	88	6 - 12	100	75
	60 1511 0822	OX A4 / 3 x 22	3	22	107	12 - 22	100	134
	60 1511 0824	OX A4 / 3 x 34	3	34	148	22 - 34	100	220

# OX A5

Cable Clamps



# OX B



**OX A5 - Clamps for Power Cables and Pipes**  
Complete with Saddles

For 50x50 angular  
for 1, 2, 3 cables or pipes.

*OX A5 - Fixation pour Conducteurs Électriques et Tubes*  
*Configurations avec Garnitures*

*Pour cornière 50x50*  
*pour 1, 2, 3 câbles électriques ou tubes.*

FIGURE	CODE	ARTICLE	N° CABLES	L	h	ø CABLES	BOX	WEIGHT (gr)
	60 1517 0801	OX A5 / 1 x 12	1	12	24	6 - 12	100	61
	60 1517 0803	OX A5 / 1 x 22	1	22	34	12 - 22	100	77
	60 1517 0805	OX A5 / 1 x 34	1	34	46	22 - 34	100	121
	60 1517 0807	OX A5 / 1 x 46	1	46	58	34 - 46	50	147
	60 1517 0809	OX A5 / 1 x 58	1	58	72	46 - 58	50	175
	60 1517 0811	OX A5 / 1 x 70	1	70	83	58 - 70	50	189
	60 1517 0814	OX A5 / 2 x 12	2	12	51	6 - 12	100	69
	60 1517 0816	OX A5 / 2 x 22	2	22	63	12 - 22	100	111
	60 1517 0818	OX A5 / 2 x 34	2	34	87	22 - 34	100	177
	60 1517 0820	OX A5 / 3 x 12	3	12	75	6 - 12	100	82
	60 1517 0822	OX A5 / 3 x 22	3	22	107	12 - 22	100	141
	60 1517 0824	OX A5 / 3 x 34	3	34	148	22 - 34	100	227

**OX B - Clamps for Power Cables and Pipes**  
Complete with Saddles

For 3-12 flat and round  
for 1, 2, 3 cables or pipes.

*OX B - Fixation pour Conducteurs Électriques et Tubes*  
*Configurations avec Garnitures*

*Pour plat et rond 3-12*  
*pour 1, 2, 3 câbles électriques ou tubes.*

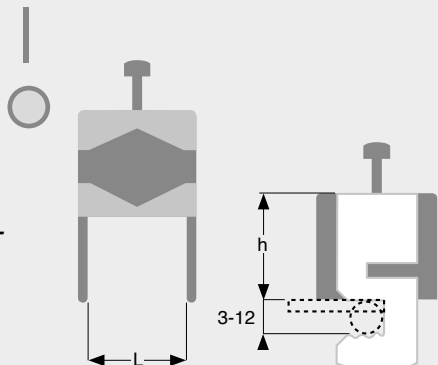


FIGURE	CODE	ARTICLE	N° CABLES	L	h	ø CABLES	BOX	WEIGHT (gr)
	60 1513 0841	OX B / 1 x 12	1	12	39	6 - 12	100	44
	60 1513 0843	OX B / 1 x 22	1	22	43	12 - 22	100	62
	60 1513 0845	OX B / 1 x 34	1	34	67	22 - 34	100	98
	60 1513 0847	OX B / 1 x 46	1	46	84	34 - 46	50	126
	60 1513 0849	OX B / 1 x 58	1	58	72	46 - 58	50	150
	60 1513 0851	OX B / 1 x 70	1	70	107	58 - 70	50	168
	60 1513 0854	OX B / 2 x 12	2	12	55	6 - 12	100	60
	60 1513 0856	OX B / 2 x 22	2	22	80	12 - 22	100	92
	60 1513 0858	OX B / 2 x 34	2	34	105	22 - 34	100	156
	60 1513 0860	OX B / 3 x 12	3	12	75	6 - 12	100	73
	60 1513 0862	OX B / 3 x 22	3	22	110	12 - 22	100	122
	60 1513 0864	OX B / 3 x 34	3	34	166	22 - 34	100	206

# OX C

Cable Clamps



# OX E

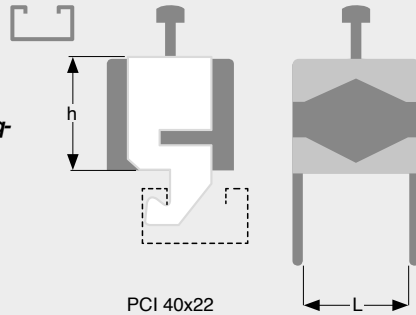


**OX C - Clamps for Power & Hybrid Cables and Pipes**  
Complete with Saddles

For PCI 40x22 section  
for 1, 2, 3 cables or pipes.

*OX C - Fixation pour Conducteurs Électriques et Tubes*  
*Configurations avec Garnitures*

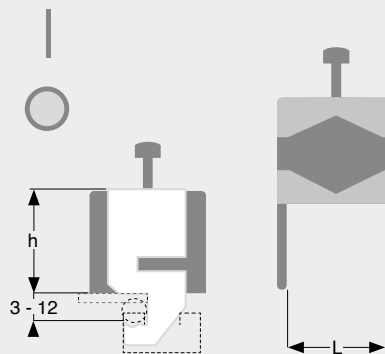
*Pour profilé PCI 40x22*  
*pour 1, 2, 3 câbles électriques ou tubes.*



PCI 40x22



FIGURE	CODE	ARTICLE	N° CABLES	L	h	ø CABLES	BOX	WEIGHT (gr)
	60 1514 0861	OX C / 1 x 12	1	12	24	6 - 12	100	40
	60 1514 0863	OX C / 1 x 22	1	22	43	12 - 22	100	56
	60 1514 0865	OX C / 1 x 34	1	34	70	22 - 34	100	92
	60 1514 0867	OX C / 1 x 46	1	46	58	34 - 46	50	122
	60 1514 0869	OX C / 1 x 58	1	58	72	46 - 58	50	146
	60 1514 0871	OX C / 1 x 70	1	70	83	58 - 70	50	164
	60 1514 0874	OX C / 2 x 12	2	12	56	6 - 12	100	52
	60 1514 0876	OX C / 2 x 22	2	22	70	12 - 22	100	82
	60 1514 0878	OX C / 2 x 34	2	34	100	22 - 34	100	148
	60 1514 0886	OX C / 3 x 12	3	12	72	6 - 12	100	65
	60 1514 0888	OX C / 3 x 22	3	22	110	12 - 22	100	112
	60 1514 0890	OX C / 3 x 34	3	34	150	22 - 34	100	198



**OX E - Clamps for Power & Hybrid Cables and Pipes**  
Complete with Saddles

For section PCI 40x22, flat and round 3-12  
for 1, 2, 3 cables or tubes.

*OX E - Fixation pour Conducteurs Électriques et Tubes*  
*Configurations avec Garnitures*

*Pour profilé PCI 40x22 et plat/round 3-12*  
*pour 1, 2, 3 câbles électriques ou tubes.*

FIGURE	CODE	ARTICLE	n. CABLES	L	h	ø CABLES	BOX	WEIGHT (gr)
	60 1518 0801	OX E / 1 x 12	1	12	36	6 - 12	100	40
	60 1518 0803	OX E / 1 x 22	1	22	43	12 - 22	100	56
	60 1518 0805	OX E / 1 x 34	1	34	68	22 - 34	100	92
	60 1518 0807	OX E / 1 x 46	1	46	59	34 - 46	50	122
	60 1518 0809	OX E / 1 x 58	1	58	73	46 - 58	50	146
	60 1518 0811	OX E / 1 x 70	1	70	84	58 - 70	50	164
	60 1518 0814	OX E / 2 x 12	2	12	55	6 - 12	100	52
	60 1518 0816	OX E / 2 x 22	2	22	80	12 - 22	100	82
	60 1518 0818	OX E / 2 x 34	2	34	107	22 - 34	100	148
	60 1518 0820	OX E / 3 x 12	3	12	76	6 - 12	100	65
	60 1518 0822	OX E / 3 x 22	3	22	110	12 - 22	100	112
	60 1518 0824	OX E / 3 x 34	3	34	155	22 - 34	100	198



**OX M - Clamps for Power & Hybrid Cables and Pipes**  
Complete with Saddles

Hooking on  $\varnothing$  8-25 round and 3-25 mm flat for 1, 2, 3 cables or pipes.

**OX M - Fixation pour Conducteurs Électriques et Tubes**  
Configurations avec Garnitures

Accrochage sur rond  $\varnothing$  8-25 et plat 3-25 mm pour 1, 2, 3 câbles électriques ou tubes.

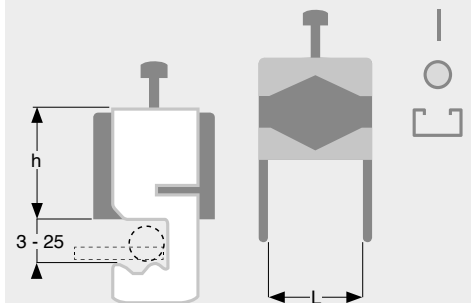


FIGURE	CODE	ARTICLE	n. CABLES	L	h	$\varnothing$ CABLES	BOX	WEIGHT (gr)
	60 1516 1081	OX M / 1 x 12	1	12	40	6 - 12	100	50
	60 1516 1083	OX M / 1 x 22	1	22	43	12 - 22	100	68
	60 1516 1085	OX M / 1 x 34	1	34	69	22 - 34	100	106
	60 1516 1087	OX M / 1 x 46	1	46	72	34 - 46	50	136
	60 1516 1089	OX M / 1 x 58	1	58	72	46 - 58	50	160
	60 1516 1091	OX M / 1 x 70	1	70	83	58 - 70	50	180
	60 1516 1094	OX M / 2 x 12	2	12	52	6 - 12	100	66
	60 1516 1096	OX M / 2 x 22	2	22	77	12 - 22	100	98
	60 1516 1098	OX M / 2 x 34	2	34	107	22 - 34	100	162
	60 1516 1099	OX M / 3 x 12	3	12	83	6 - 12	100	79
	60 1516 1110	OX M / 3 x 22	3	22	91	12 - 17	100	128
	60 1516 1111	OX M / 3 x 22	3	22	110	17 - 22	100	137
	60 1516 1112	OX M / 3 x 34	3	34	132	22 - 26	100	213
	60 1516 1113	OX M / 3 x 34	3	34	155	26 - 34	100	233



### USO-USC

Single Clamps for Coaxial Cables

#### Versions:

- **USO** for flat iron with holes
- **USC** for flat, round, angular

#### Components:

1. **SAM** single Saddle of Talc Reinforced P.P
2. Threaded Bar - **BFI M8** (M10 on request)
3. **RPI 10/20** flat Washers
4. **DAI 8** Hexagon nuts
5. Flexible Hinge

#### Use:

Fixing 1 to 4 coaxial cables.

**GRE-GRQ-GRR** elastic cushions allow fastening of waveguides.

#### Options:

Available upon request threaded bar, nuts and washers M10 and 3/8".

### USO-USC

Fixations simples pour Câbles Coaxiaux

#### Versions:

- **USO** pour plat troué
- **USC** plat, rond et cornière

#### Composition:

1. Garniture Simple calibrée SAM de P.P. talc renforcée en verre
2. Tige filetée - BFI M8 (M10 sur demande)
3. Rondelles planes RPI 10/20
4. Écrous hexagonaux DAI 8
5. Charnière flexible

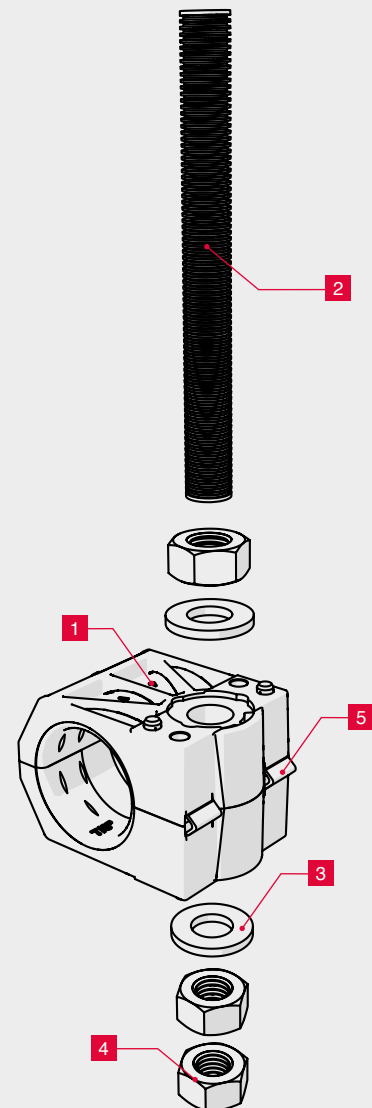
#### Emploi:

Fixation 1 - 4 câbles coaxiaux.

Fixation de guides d'ondes au moyen de garnitures élastiques **GRE-GRQ-GRR**.

#### Options:

Disponibles sur demande, tige filetée, écrous et rondelles M10 et 3/8".



# SAM

## Saddles

### SAM - Hinged Single Saddles

The internal indentation allows gripping on the cable without compressing nor deforming it. The saddle size is calibrated and corresponds to the diameter of the coaxial cables.

A flexible hinge (patented) allows a controlled opening and closing of the two shells

### SAM - Garniture Simple Articulées

Grâce à la relief spéciale interne elles font prise sur le câble coaxial sans le comprimer ni le déformer.

La fermeture de la garniture est calibrée sur les diamètres des câbles coaxiaux.

Une charnière flexible (brév.) permet l'ouverture et la fermeture contrôlée des deux coquilles.



MATERIAL	
Saddles	Talc Reinforced P.P., U.V. Resistant Halogen Free
Colour	Black (Grey on Request)

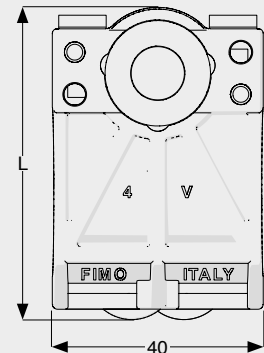
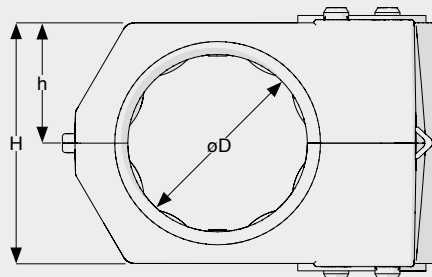


FIGURE	CODE	ARTICLE	ø D	L	h	H	BAG	BOX	WEIGHT (gr)
	61 3315 0011	SAM/ 1x11	10 - 11	44	10.5	21	20	500	16
	61 3315 0014	SAM/ 1x1/2" S (14)	13 - 14	50	13.5	27	20	500	24
	61 3315 0012	SAM/ 1x1/2" (17)	16 - 17	50	13.5	27	20	500	22
	61 3315 0021	SAM 1x5/8" S (21)	20 - 21	59	19	38	20	100	40
	61 3315 0078	SAM/ 1x7/8 (28)	27 - 28	59	19	38	20	100	32
	61 3315 0114	SAM/ 1x1.1/4" (40)	39 - 40	70	27	54	20	100	50
	61 3315 0158	SAM/ 1x1.5/8" (52)	50 - 52	80	33	66	20	100	60



### USO - Cable Clamps for Flat Iron with Holes

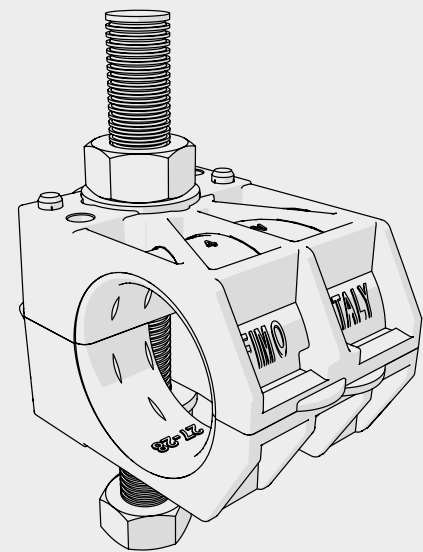
**Composition:**

**SAM** Saddle + M8 threaded bar + nuts + washers

### USO - Fixation pour Plat Troué

**Composition:**

Garniture **SAM** + broche à trou fileté M8 + écrous + rondelles



#### MATERIAL

**Metal Parts**

AISI 304  
Stainless Steel

**Saddle**

Talc Reinforced P.P.  
U.V. resistant  
Halogen Free

**Colour**

Black  
(Grey on Request)

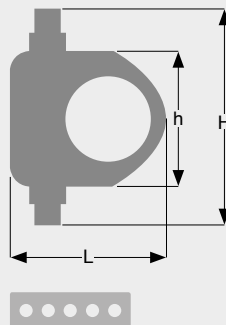


FIGURE	CODE	ARTICLE	ø D	L	H	h	BOX	WEIGHT (gr)
	61 1571 0011	USO/ 1x11	10 - 11	44	75	21	20	47
	61 1571 0014	USO/ 1x1/2" S (14)	13 - 14	50	75	27	20	50
	61 1571 0012	USO/ 1x1/2" (17)	16 - 17	50	75	27	20	50
	61 1571 0078	USO/ 1x7/8" (28)	27 - 28	59	100	38	20	77
	61 1571 0114	USO/ 1x1.1/4" (40)	39 - 40	70	100	54	20	100
	61 1571 0158	USO/ 1x1.5/8" (52)	50 - 52	80	125	66	20	140
	61 1571 0211	USO/ 2x11	10 - 11	44	100	42	20	60
	61 1571 0214	USO/ 2x1/2" S (14)	13 - 14	50	100	54	20	75
	61 1571 0212	USO/ 2x1/2" (17)	16 - 17	50	100	54	20	75
	61 1571 0278	USO/ 2x7/8" (28)	27 - 28	59	125	76	20	115
	61 1571 2114	USO/ 2x1.1/4" (40)	39 - 40	70	200	108	20	145
	61 1571 2158	USO/ 2x1.5/8" (52)	50 - 52	80	200	132	20	197
	61 1571 0311	USO/ 3x11	10 - 11	44	100	63	20	77
	61 1571 0314	USO/ 3x1/2" S (14)	13 - 14	50	125	81	20	100
	61 1571 0312	USO/ 3x1/2" (17)	16 - 17	50	125	81	20	100
	61 1571 0378	USO/ 3x7/8" (28)	27 - 28	59	200	114	20	152
	61 1571 3114	USO/ 3x1.1/4" (40)	39 - 40	70	250	150	20	190
	61 1571 3158	USO/ 3x1.5/8" (52)	50 - 52	80	300	198	20	260
	61 1571 0411	USO/ 4x11	10 - 11	44	125	84	20	95
	61 1571 0414	USO/ 4x1/2" S (14)	13 - 14	50	150	108	20	172
	61 1571 0412	USO/ 4x1/2" (17)	16 - 17	50	150	108	20	172
	61 1571 0478	USO/ 4x7/8" (28)	27 - 28	59	200	152	20	185
	61 1571 4114	USO/ 4x1.1/4" (40)	39 - 40	70	300	216	20	235
	61 1571 4158	USO/ 4x1.5/8" (52)	50 - 52	80	400	264	20	323

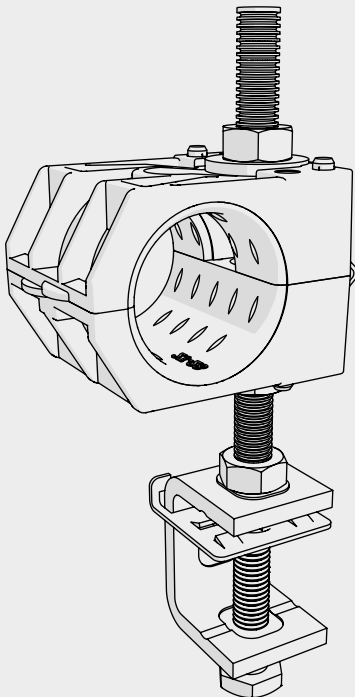


**USC - Cable Clamps for Flat, Round and Angular**

**Composition:**  
USO + MIM 8 Mini Clamp

*USC - Fixation pour Plats, Ronds et Cornières*

**Composition:**  
USO + mini attache MIM 8



MATERIAL	
<b>Metal Parts</b>	AISI 304 Stainless Steel
<b>Saddle</b>	Talc Reinforced P.P. U.V. resistant Halogen Free
<b>Colour</b>	Black (Grey on Request)

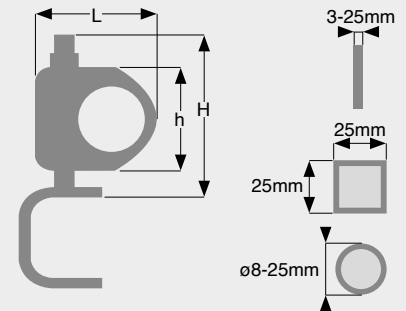


FIGURE	CODE	ARTICLE	ø D	L	H	h	BOX	WEIGHT (gr)
	61 1572 0011	USC/ 1x11	10 - 11	44	75	21	20	102
	61 1572 0014	USC/ 1x1/2" S (14)	13 - 14	50	75	27	20	105
	61 1572 0012	USC/ 1x1/2" (17)	16 - 17	50	75	27	20	105
	61 1572 0078	USC/ 1x7/8" (28)	27 - 28	59	100	38	20	132
	61 1572 0114	USC/ 1x1.1/4" (40)	39 - 40	70	100	54	20	155
	61 1572 0158	USC/ 1x1.5/8" (52)	50 - 52	80	125	66	20	155
	61 1572 0211	USC/ 2x11	10 - 11	44	100	42	20	115
	61 1572 0214	USC/ 2x1/2" S (14)	13 - 14	50	100	54	20	130
	61 1572 0212	USC/ 2x1/2" (17)	16 - 17	50	100	54	20	130
	61 1572 0278	USC/ 2x7/8" (28)	27 - 28	59	125	76	20	170
	61 1572 2114	USC/ 2x1.1/4" (40)	39 - 40	70	200	108	20	200
	61 1572 2158	USC/ 2x1.5/8" (52)	50 - 52	80	200	132	20	200
	61 1572 0311	USC/ 3x11	10 - 11	44	100	63	20	132
	61 1572 0314	USC/ 3x1/2" S (14)	13 - 14	50	125	81	20	155
	61 1572 0312	USC/ 3x1/2" (17)	16 - 17	50	125	81	20	155
	61 1572 0378	USC/ 3x7/8" (28)	27 - 28	59	200	114	20	207
	61 1572 3114	USC/ 3x1.1/4" (40)	39 - 40	70	250	150	20	245
	61 1572 3158	USC/ 3x1.5/8" (52)	50 - 52	80	300	198	20	290
	61 1572 0411	USC/ 4x11	10 - 11	44	125	84	20	150
	61 1572 0414	USC/ 4x1/2" S (14)	13 - 14	50	150	108	20	167
	61 1572 0412	USC/ 4x1/2" (17)	16 - 17	50	150	108	20	167
	61 1572 0478	USC/ 4x7/8" (28)	27 - 28	59	200	152	20	240
	61 1572 4114	USC/ 4x1.1/4" (40)	39 - 40	70	300	216	20	280
	61 1572 4158	USC/ 4x1.5/8" (52)	50 - 52	80	400	264	20	325



### MATERIAL

<b>Saddle</b>	Fiberglass P.P. U.V. Resistant Halogen Free
<b>Colour</b>	Black

### SEM - Calibrated Single Saddles

The internal indentation allows the cable grip without compressing nor deforming it. The saddle size is calibrated and corresponds to the diameter of the coaxial cables.

### SEM - Double Garniture Étalonnée

*Le relief interne permet, sans comprimer, de ne pas déformer le guide-câble.  
La fermeture de la garniture est calibrée sur les diamètres des câbles coaxiaux.*

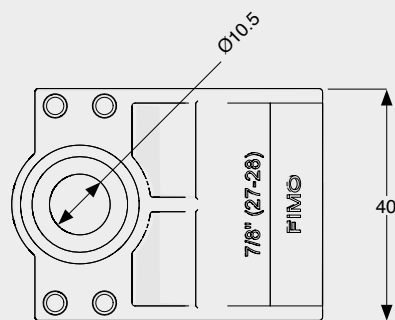
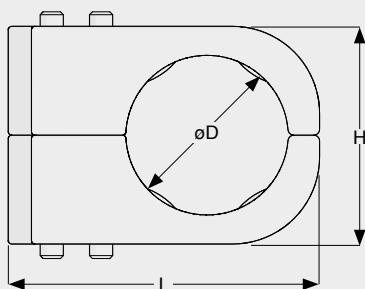



FIGURE	CODE	ARTICLE	ø D	H	L	BAG	BOX	WEIGHT (gr)
	61 3309 4095	SEM 9M	7.5 - 9.5	20	37	20	500	18
	61 3309 4112	SEM 12	11 - 12	27	42	20	500	23
	61 3309 4014	SEM 1/2"S	13 - 14	27	42	20	500	23
	61 3309 4012	SEM 1/2" (17)	16 - 17	27	42	20	500	22
	61 3309 4058	SEM 5/8" (23)	21 - 23	38	54	20	500	36
	61 3309 4078	SEM 7/8" (28)	27 - 28	38	54	20	500	33
	61 3309 4114	SEM 1.1/4" (40)	39 - 40	54	66	20	500	52
	61 3309 4158	SEM 1.5/8" (52)	50 - 52	66	78	20	100	64



**UMS - Cable Clamps for Flat, Round and Angular**

**Composition:**  
SEM Saddle + M8 Threaded Bar + MIM 8 Clamp

**UMS - Fixation pour Plats, Ronds et Cornières**

**Composition:**  
Garniture SEM + broche à trou fileté M8 + mini attache MIM 8

MATERIAL	
Metal Parts	AISI 304 Stainless Steel
Saddle	Fiberglass P.P. U.V. Resistant Halogen Free
Colour	Black

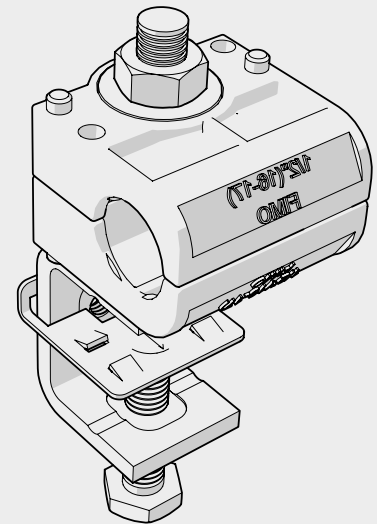
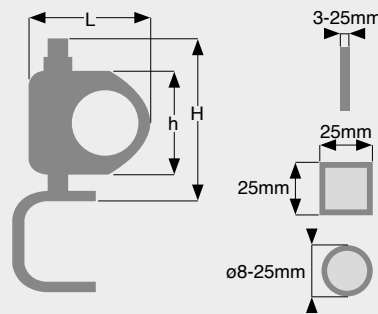
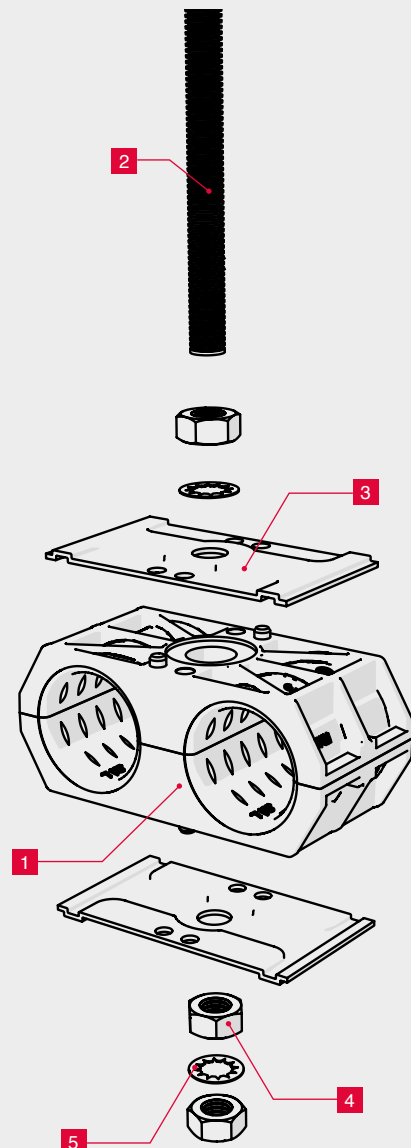


FIGURE	CODE	ARTICLE	ø D	L	h	H	BOX	WEIGHT (gr)
	61 1596 0095	UMS 1x9M	7,5- 9,5	37	20	50	20	149
	61 1596 0112	UMS 1x12	11 - 12	42	27	50	20	153
	61 1596 0014	UMS 1x1/2"S	13 - 14	42	27	50	20	153
	61 1596 0012	UMS 1x1/2"	16 - 17	42	27	50	20	152
	61 1596 0058	UMS 1x5/8"	21 - 23	54	37,5	75	20	166
	61 1596 0078	UMS 1x7/8"	27 - 28	54	37,5	75	20	163
	61 1596 0114	UMS 1x1.1/4"	39 - 40	66	54	100	20	182
61 1596 0158	UMS 1x1.5/8"	50 - 52	78	65,6	100	20	194	
	61 1596 0295	UMS 2x9M	7,5- 9,5	37	40	75	20	167
	61 1596 2112	UMS 2x12	11 - 12	42	54	100	20	176
	61 1596 0214	UMS 2x1/2"S	13 - 14	42	54	100	20	177
	61 1596 0212	UMS 2x1/2"	16 - 17	42	54	100	20	174
	61 1596 0258	UMS 2x5/8"	21 - 23	54	75	100	20	201
	61 1596 0278	UMS 2x7/8"	27 - 28	54	75	100	20	197
	61 1596 2114	UMS 2x1.1/4"	39 - 40	66	108	150	20	233
61 1596 2158	UMS 2x1.5/8"	50 - 52	78	131	200	20	258	
	61 1596 0395	UMS 3x9M	7,5- 9,5	37	60	100	20	186
	61 1596 3112	UMS 3x12	11 - 12	42	81	125	20	199
	61 1596 0314	UMS 3x1/2"S	13 - 14	42	81	125	20	200
	61 1596 0312	UMS 3x1/2"	16 - 17	42	81	125	20	196
	61 1596 0358	UMS 3x5/8"	21 - 23	54	113	150	20	237
	61 1596 0378	UMS 3x7/8"	27 - 28	54	113	150	20	230
	61 1596 3114	UMS 3x1.1/4"	39 - 40	66	162	200	20	285
61 1596 3158	UMS 3x1.5/8"	50 - 52	78	197	250	20	322	



### MATERIAL

<b>Metal Parts</b>	AISI 304 Stainless Steel
<b>Saddle</b>	Fiberglass Reinforced H.D.P.E., U.V. Resistant Halogen Free
<b>Colour</b>	Black (Grey on Request)



### UCO-UCC-UCM

Twin Coaxial Cable Clamps

#### Versions:

- **UCO** for flat iron with holes
- **UCC** for flat, round, angular
- **UCM** for flat, round, angular

#### Components:

1. **SAB** double saddles made of reinforced H.D.P.E.
2. Threaded bar - **BFI M8 (M10 on request)**
3. **PUC** steel-Flanges
4. **DAI 8** Hexagonal Nuts
5. **REI 8** Elastic Washers

#### Use:

Fixing 1 to 8 coaxial cables.

**GRE-GRQ-GRR** elastic cushions allow fastening of waveguides.

#### Options:

Available upon request threaded bar, nuts and washers M10, M12 and 3/8".

### UCO-UCC-UCM

Fixations Doubles pour Câbles Coaxiaux

#### Versions:

- **UCO** pour plat percé
- **UCC** plat, rond et cornière
- **UCM** plat, rond et cornière

#### Composition:

1. Garnitures doubles **SAB** de H.D.P.E. renforcé en verre
2. Tige filetée - **BFI M8 (M10 sur demande)**
3. Plaques de poussée **PUC**
4. Écrous hexagonaux **DAI 8**
5. Rondelles élastiques **REI 8**

#### Emploi:

Fixation 1 - 8 câbles coaxiaux.

Fixation de guides d'onde au moyen de garnitures élastiques **GRE-GRQ-GRR**.

#### Options:

Disponibles sur demande, tige filetée, écrous et rondelles M10, M12 et 3/8".

# SAB

## Saddles



### MATERIAL

<b>Saddle</b>	Fiberglass Reinforced H.D.P.E., U.V. Resistant Halogen Free
<b>Colour</b>	Black (Grey on Request)

### SAB - Calibrated Twin Saddles

The internal indentation allows gripping on the cable without compressing nor deforming it.

The fitting of the two saddles is calibrated and corresponds to the diameter of the coaxial cables.

### SAB - Garnitures Calibrées Jumelées

Grâce à le relief spécial interne elles font prise sur le câble coaxial sans le comprimer ni le déformer.

La fermeture de deux garnitures couplées est calibrée sur les diamètres des câbles coaxiaux.

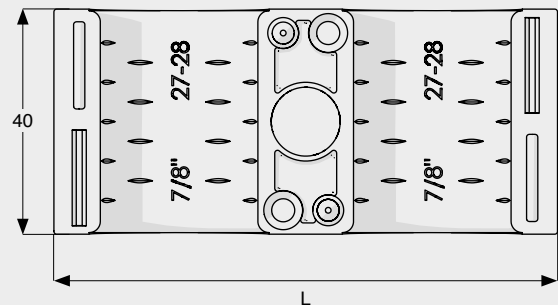
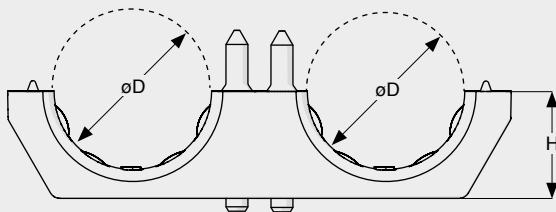


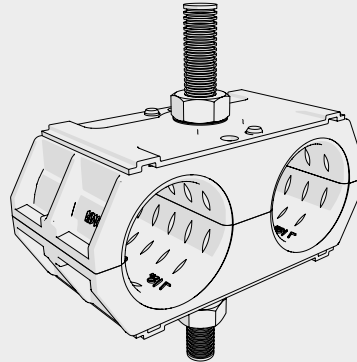
FIGURE	CODE	ARTICLE	ø D	H	L	BAG	BOX	WEIGHT (gr)
	61 3307 5007	SAB/ 2x7	5 - 7	10.5	56	20	500	14
	61 3307 5009	SAB/ 2x9	8 - 9	10.5	56	20	500	14
	61 3307 5011	SAB/ 2x11	10 - 11	10.5	56	20	500	14
	61 3307 5013	SAB/ 2x13	12 - 13	13.5	68	20	500	18
	61 3307 5014	SAB/ 2x1.2" (14)	13 - 14	13.5	68	20	500	18
	61 3307 5038	SAB/ 2x3/8" (16)	15 - 16	13.5	68	20	500	18
	61 3307 5012	SAB/ 2x1/2" (17)	16 - 17	13.5	68	20	500	18
	61 3307 5058	SAB/ 2x5/8" (23)	21 - 23	19	90	20	100	25
	61 3307 5078	SAB/ 2x7/8" (28)	27 - 28	19	90	20	100	25
	61 3307 5118	SAB/ 2x1.1/8" (38)	36 - 38	27	114	20	100	30
	61 3307 5114	SAB/ 2x1.1/4" (40)	39 - 40	27	114	20	100	30
	61 3307 5148	SAB/ 2x1.5/8" (49)	48 - 49	33	137	20	100	40
	61 3307 5158	SAB/ 2x1.5/8" (52)	50 - 52	33	137	20	100	40



**UCO - Twin Cable Clamps for Flat Iron with Holes**

**Composition:**

**SAB** Saddle + M8 threaded bar + nuts + washers



**UCO - Fixation Doubles pour Plat Percé**

**Composition:**

Garniture **SAB** + broche à trou fileté M8 + écrous + rondelles

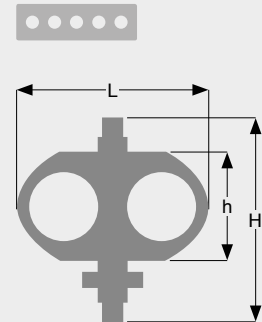
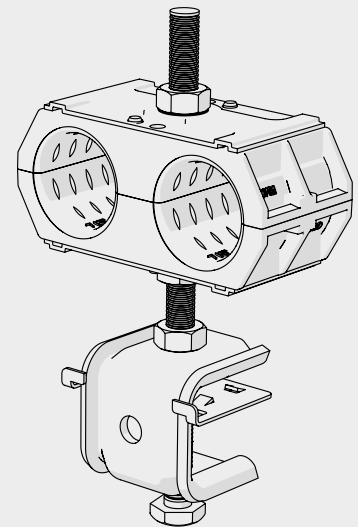
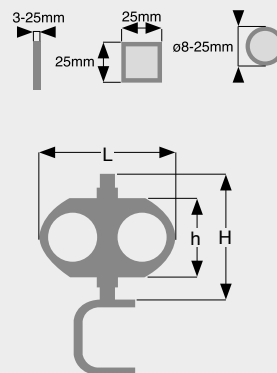


FIGURE	CODE	ARTICLE	ø D	L	H	h	BOX	WEIGHT (gr)
	61 1559 0209	UCO/ 2x9	8 - 9	56	75	21	20	95
	61 1559 0211	UCO/ 2x11	10 - 11	56	75	21	20	95
	61 1559 0213	UCO/ 2x13	12 - 13	68	75	27	20	100
	61 1559 0214	UCO/ 2x1/2" S (14)	13 - 14	68	75	27	20	100
	61 1559 0238	UCO/ 2x3/8" (16)	15 - 16	68	75	27	20	100
	61 1559 0212	UCO/ 2x1/2" (17)	16 - 17	68	75	27	20	100
	61 1559 0258	UCO/ 2x5/8" (23)	21 - 23	90	100	38	20	155
	61 1559 0278	UCO/ 2x7/8" (28)	27 - 28	90	100	38	20	155
	61 1559 2118	UCO/ 2x1.1/8" (38)	36 - 38	114	150	54	20	200
	61 1559 2114	UCO/ 2x1.1/4" (40)	39 - 40	114	150	54	20	200
	61 1559 2148	UCO/ 2x1.5/8" S (49)	48 - 49	137	150	66	20	282
	61 1559 2158	UCO/ 2x1.5/8" (52)	50 - 52	137	150	66	20	280
	61 1559 0409	UCO/ 4x9	8 - 9	56	100	42	20	120
	61 1559 0411	UCO/ 4x11	10 - 11	56	100	42	20	120
	61 1559 0413	UCO/ 4x13	12 - 13	56	125	54	20	150
	61 1559 0414	UCO/ 4x1/2" S (14)	13 - 14	68	125	54	20	150
	61 1559 0438	UCO/ 4x3/8" (16)	15 - 16	68	125	54	20	150
	61 1559 0412	UCO/ 4x1/2" (17)	16 - 17	68	125	54	20	150
	61 1559 0458	UCO/ 4x5/8" (23)	21 - 23	90	150	76	20	230
	61 1559 0478	UCO/ 4x7/8" (28)	27 - 28	90	150	76	20	230
	61 1559 4118	UCO/ 4x1.1/8" (38)	36 - 38	114	200	108	20	290
	61 1559 4114	UCO/ 4x1.1/4" (40)	39 - 40	114	200	108	20	290
	61 1559 4148	UCO/ 4x1.5/8" S (49)	48 - 49	137	250	132	20	399
	61 1559 4158	UCO/ 4x1.5/8" (52)	50 - 52	137	250	132	20	395
	61 1559 0609	UCO/ 6x9	8 - 9	56	125	63	20	155
	61 1559 0611	UCO/ 6x11	10 - 11	56	125	63	20	155
	61 1559 0613	UCO/ 6x13	12 - 13	68	150	81	20	200
	61 1559 0614	UCO/ 6x1/2" S (14)	13 - 14	68	150	81	20	200
	61 1559 0638	UCO/ 6x3/8" (16)	15 - 16	68	150	81	20	200
	61 1559 0612	UCO/ 6x1/2" (17)	16 - 17	68	150	81	20	200
	61 1559 0658	UCO/ 6x5/8" (23)	21 - 23	90	200	114	20	305
	61 1559 0678	UCO/ 6x7/8" (28)	27 - 28	90	200	114	20	305
	61 1559 6114	UCO/ 6x1.1/4" (40)	39 - 40	114	250	150	20	380
	61 1559 6148	UCO/ 6x1.5/8" S (49)	48 - 49	137	300	198	20	526
	61 1559 6158	UCO/ 6x1.5/8" (52)	50 - 52	137	300	198	20	520
		61 1559 0809	UCO/ 8x9	8 - 9	56	150	84	20
61 1559 0811		UCO/ 8x11	10 - 11	56	150	84	20	190
61 1559 0813		UCO/ 8x13	12 - 13	68	200	108	20	145
61 1559 0814		UCO/ 8x1/2" S (14)	13 - 14	68	200	108	20	145
61 1559 0838		UCO/ 8x3/8" (16)	15 - 16	68	200	108	20	145
61 1559 0812		UCO/ 6x1/2" (17)	16 - 17	68	200	108	20	145
61 1559 0858		UCO/ 8x5/8" (23)	21 - 23	90	250	152	20	370
61 1559 0878		UCO/ 8x7/8" (28)	27 - 28	90	250	152	20	370



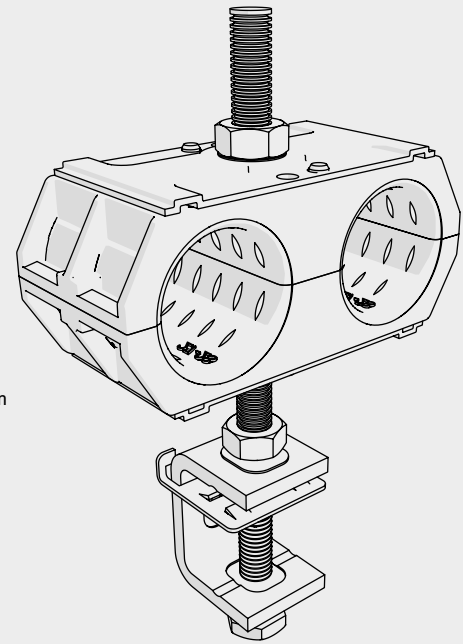
**UCC - Cable Clamps for Flat, Round and Angular**

**UCC - Fixation pour Plats, Ronds et Cornières**

**Composition:**  
UCO + MCM 8 Compact Clamp

**Composition:**  
UCO + attache monobloc MCM 8

FIGURE	CODE	ARTICLE	ø D	L	H	h	BOX	WEIGHT (gr)
	61 1560 0209	UCC/ 2x9	8 - 9	56	75	21	20	205
	61 1560 0211	UCC/ 2x11	10 - 11	56	75	21	20	205
	61 1560 0213	UCC/ 2x13	12 - 13	68	75	27	20	210
	61 1560 0214	UCC/ 2x1/2" S (14)	13 - 14	68	75	27	20	210
	61 1560 0238	UCC/ 2x3/8" (16)	15 - 16	68	75	27	20	210
	61 1560 0212	UCC/ 2x1/2" (17)	16 - 17	68	75	27	20	210
	61 1560 0258	UCC/ 2x5/8" (23)	21 - 23	90	100	38	20	265
	61 1560 0278	UCC/ 2x7/8" (28)	27 - 28	90	100	38	20	265
	61 1560 2118	UCC/ 2x1.1/8" (38)	36 - 38	114	150	54	20	265
	61 1560 2114	UCC/ 2x1.1/4" (40)	39 - 40	114	150	54	20	310
	61 1560 2148	UCC/ 2x1.5/8" S (49)	48 - 49	137	150	66	20	312
	61 1560 2158	UCC/ 2x1.5/8" (52)	50 - 52	137	150	66	20	310
	61 1560 0409	UCC/ 4x9	8 - 9	56	100	42	20	390
	61 1560 0411	UCC/ 4x11	10 - 11	56	100	42	20	230
	61 1560 0413	UCC/ 4x13	12 - 13	56	125	54	20	230
	61 1560 0414	UCC/ 4x1/2" S (14)	13 - 14	68	125	54	20	260
	61 1560 0438	UCC/ 4x3/8" (16)	15 - 16	68	125	54	20	260
	61 1560 0412	UCC/ 4x1/2" (17)	16 - 17	68	125	54	20	260
	61 1560 0458	UCC/ 4x5/8" (23)	21 - 23	90	150	76	20	260
	61 1560 0478	UCC/ 4x7/8" (28)	27 - 28	90	150	76	20	340
	61 1560 4118	UCC/ 4x1.1/8" (38)	36 - 38	114	200	108	20	340
	61 1560 4114	UCC/ 4x1.1/4" (40)	39 - 40	114	200	108	20	400
	61 1560 4148	UCC/ 4x1.5/8" S (49)	48 - 49	137	250	132	20	404
	61 1560 4158	UCC/ 4x1.5/8" (52)	50 - 52	137	250	132	20	400
	61 1560 0609	UCC/ 6x9	8 - 9	56	125	63	20	265
	61 1560 0611	UCC/ 6x11	10 - 11	56	125	63	20	265
	61 1560 0613	UCC/ 6x13	12 - 13	68	150	81	20	310
	61 1560 0614	UCC/ 6x1/2" S (14)	13 - 14	68	150	81	20	310
	61 1560 0638	UCC/ 6x3/8" (16)	15 - 16	68	150	81	20	310
	61 1560 0612	UCC/ 6x1/2" (17)	16 - 17	68	150	81	20	310
	61 1560 0658	UCC/ 6x5/8" (23)	21 - 23	90	200	114	20	415
	61 1560 0678	UCC/ 6x7/8" (28)	27 - 28	90	200	114	20	415
	61 1560 6114	UCC/ 6x1.1/4" (40)	39 - 40	114	250	150	20	490
	61 1560 6148	UCC/ 6x1.5/8" S (49)	48 - 49	137	300	198	20	586
	61 1560 6158	UCC/ 6x1.5/8" (52)	50 - 52	137	300	198	20	580
		61 1560 0809	UCC/ 8x9	8 - 9	56	150	84	20
61 1560 0811		UCC/ 8x11	10 - 11	56	150	84	20	300
61 1560 0813		UCC/ 8x13	12 - 13	68	200	108	20	255
61 1560 0814		UCC/ 8x1/2" S (14)	13 - 14	68	200	108	20	255
61 1560 0838		UCC/ 8x3/8" (16)	15 - 16	68	200	108	20	255
61 1560 0812		UCC/ 8x1/2" (17)	16 - 17	68	200	108	20	255
61 1560 0858		UCC/ 8x5/8" (23)	21 - 23	90	250	152	20	480
61 1560 0878		UCC/ 8x7/8" (28)	27 - 28	90	250	152	20	480



**UCM - Cable Clamps for Flat, Round and Angular**

**Composition:**  
UCO + MIM 8 Mini Clamp

**UCM - Fixation pour Plats, Ronds et Cornières**

**Composition:**  
UCO + mini attache MIM 8

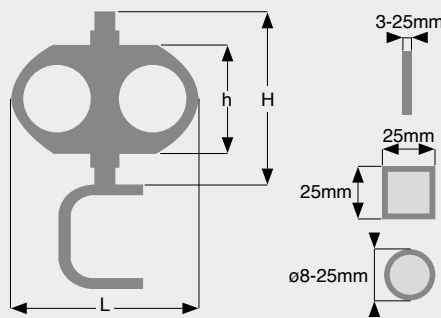
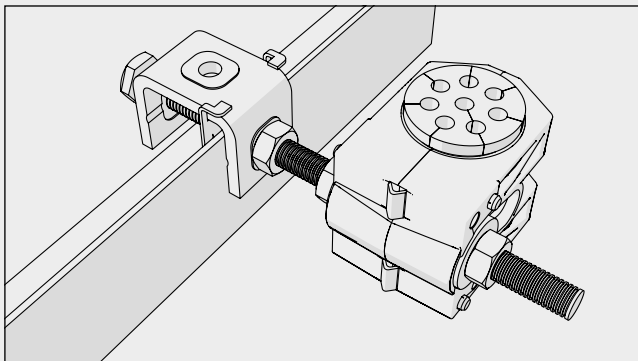
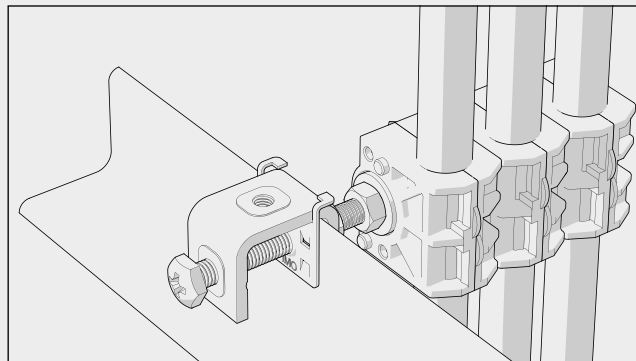


FIGURE	CODE *	ARTICLE	ø D	L	H	h	BOX	WEIGHT (gr)
	61 1576 0209	UCM/ 2x9	8 - 9	56	75	21	20	170
	61 1576 0211	UCM/ 2x11	10 - 11	56	75	21	20	170
	61 1576 0213	UCM/ 2x13	12 - 13	68	75	27	20	175
	61 1576 0214	UCM/ 2x1/2" S (14)	13 - 14	68	75	27	20	175
	61 1576 0238	UCM/ 2x3/8" (16)	15 - 16	68	75	27	20	175
	61 1576 0212	UCM/ 2x1/2" (17)	16 - 17	68	75	27	20	175
	61 1576 0258	UCM/ 2x5/8" (23)	21 - 23	90	100	38	20	230
	61 1576 0278	UCM/ 2x7/8" (28)	27 - 28	90	100	38	20	230
	61 1576 2118	UCM/ 2x1.1/8" (38)	36 - 38	114	150	54	20	230
	61 1576 2114	UCM/ 2x1.1/4" (40)	39 - 40	114	150	54	20	275
61 1576 2148	UCM/ 2x1.5/8" S (49)	48 - 49	137	150	66	20	277	
61 1576 2158	UCM/ 2x1.5/8" (52)	50 - 52	137	150	66	20	275	
	61 1576 0409	UCM/ 4x9	8 - 9	56	100	42	20	355
	61 1576 0411	UCM/ 4x11	10 - 11	56	100	42	20	195
	61 1576 0413	UCM/ 4x13	12 - 13	56	125	54	20	195
	61 1576 0414	UCM/ 4x1/2" S (14)	13 - 14	68	125	54	20	225
	61 1576 0438	UCM/ 4x3/8" (16)	15 - 16	68	125	54	20	225
	61 1576 0412	UCM/ 4x1/2" (17)	16 - 17	68	125	54	20	225
	61 1576 0458	UCM/ 4x5/8" (23)	21 - 23	90	150	76	20	225
	61 1576 0478	UCM/ 4x7/8" (28)	27 - 28	90	150	76	20	305
	61 1576 4118	UCM/ 4x1.1/8" (38)	36 - 38	114	200	108	20	305
	61 1576 4114	UCM/ 4x1.1/4" (40)	39 - 40	114	200	108	20	365
61 1576 4148	UCM/ 4x1.5/8" S (52)	48 - 49	137	250	132	20	369	
61 1576 4158	UCM/ 4x1.5/8" (52)	50 - 52	137	250	132	20	365	
	61 1576 0609	UCM/ 6x9	8 - 9	56	125	63	20	230
	61 1576 0611	UCM/ 6x11	10 - 11	56	125	63	20	230
	61 1576 0613	UCM/ 6x13	12 - 13	68	150	81	20	275
	61 1576 0614	UCM/ 6x1/2" S (14)	13 - 14	68	150	81	20	275
	61 1576 0638	UCM/ 6x3/8" (16)	15 - 16	68	150	81	20	275
	61 1576 0612	UCM/ 6x1/2" (17)	16 - 17	68	150	81	20	275
	61 1576 0658	UCM/ 6x5/8" (23)	21 - 23	90	200	114	20	380
	61 1576 0678	UCM/ 6x7/8" (28)	27 - 28	90	200	114	20	380
	61 1576 6114	UCM/ 6x1.1/4" (40)	39 - 40	114	250	150	20	455
	61 1576 6148	UCM/ 6x1.5/8" S (49)	48 - 49	137	300	198	20	551
61 1576 6158	UCM/ 6x1.5/8" (52)	50 - 52	137	300	198	20	545	

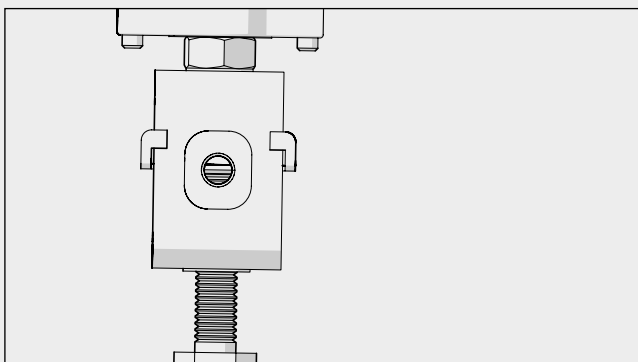
\*Available version without PUC steel flanges (Code .02)



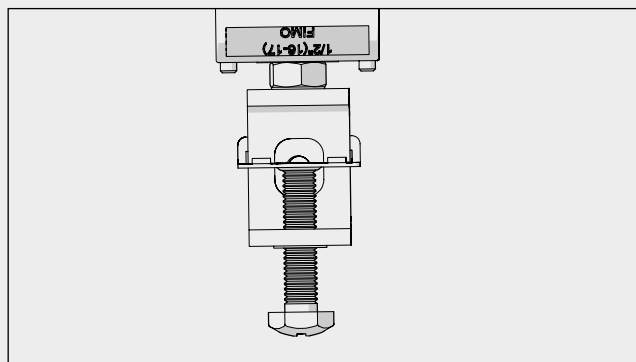
**USC + GRR 8x4.8**  
**On Angular**



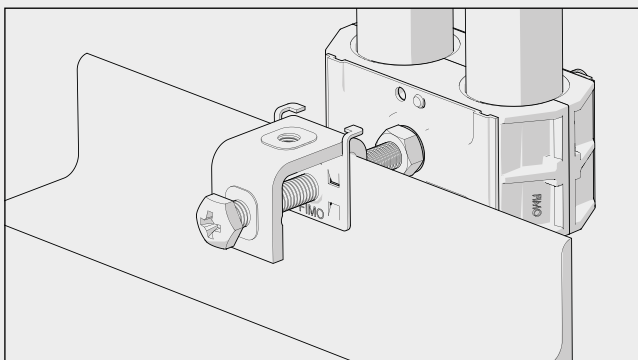
**USC**  
**On Angular**



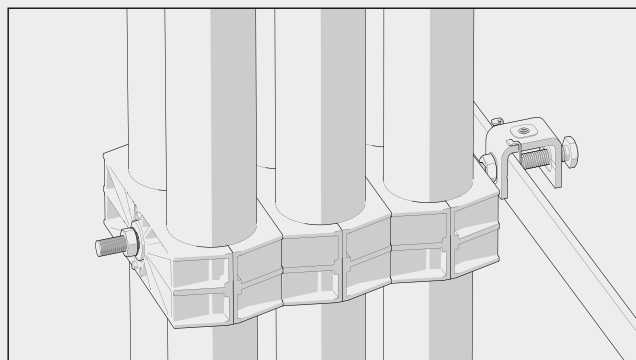
**UMS**  
**On Angular**



**UMS**  
**On Angular**



**UCM**  
**On Angular**



**UCM**  
**On Flat**



### MATERIAL

<b>Metal Parts</b>	Stainless Steel
<b>Saddle</b>	Fiberglass P.P. U.V. Resistant Halogen Free
<b>Colour</b>	Black

#### UMO-UMC

##### Twin Coaxial Cable Clamps

#### Versions:

- **UMO** for flat iron with holes
- **UMC** for flat, round, angular

#### Components:

1. **SEB** double saddles made of fiberglass reinforced P.P.
2. Threaded bar - **BFI M8 (M10 on request)**
3. **DAI 8** Hexagonal Nuts
4. **REI 8** Elastic Washers

#### Use:

Fixing 1 to 8 coaxial cables.

**GRE-GRQ-GRR** elastic cushions allow fastening of waveguides.

#### Options:

Available upon request threaded bar, nuts and washers M10 and 3/8".

#### UMO-UMC

##### Fixation coaxial double

#### Versions :

- **UMO** pour fer plat avec trous
- **UMC** pour plat, rond, angulaire

#### Composants :

1. Double garniture **SEB** en P.P. renforcé
2. Barre filetée - **BFI M8 (M10 sur demande)**
3. Écrous hexagonaux **DAI 8**
4. Rondelles élastiques **REI 8**

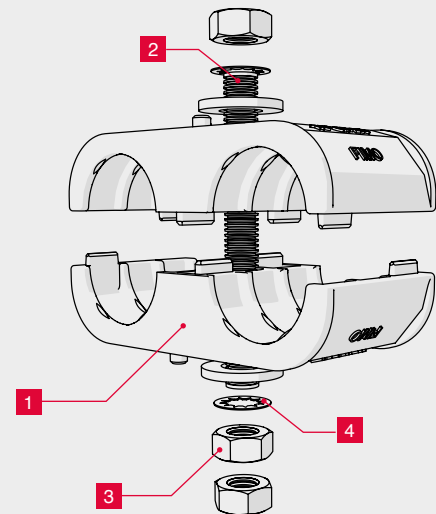
#### Usage :

Fixation de 1 à 8 câbles coaxiaux

Les tampons élastiques **GRE-GRQ-GRR** permettent le serrage des guides à ondes.

#### Options :

Barre filetée, écrous et rondelles M10 et 3/8" disponibles sur demande



## Calibrated Double Saddles



### MATERIAL

<b>Saddle</b>	Fiberglass P.P. U.V. Resistant Halogen Free
<b>Colour</b>	Black

### SEB - Calibrated Twin Saddles

The internal indentation allows the cable grip without compressing nor deforming it. The two saddles fitting is calibrated and corresponds to the diameter of the coaxial cables.

### SEB - Double Garnitures Étalonée

Le relief interne permet, sans comprimer, de ne pas déformer le guide-câble. La fixation des deux garnitures est étalonée et correspond au diamètre des câbles coaxiaux.

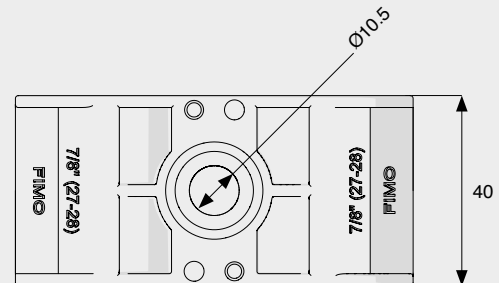
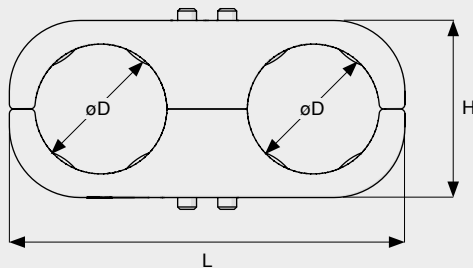


FIGURE	CODE	ARTICLE	ø D	H	L	BAG	BOX	WEIGHT (gr)
	61 3307 4055	SEB 2x5M	4.5 - 5.5	16	42	20	500	18
	61 3307 4008	SEB 2x8	6 - 8	20	51	20	500	24
	61 3307 4009	SEB 2x9	8 - 9	20	51	20	500	23
	61 3307 4011	SEB 2x11	10 - 11	20	51	20	500	22
	61 3307 4013	SEB 2x13	12 - 13	27	60	20	500	32
	61 3307 4014	SEB 2x1/2"S	13 - 14	27	60	20	500	29
	61 3307 4012	SEB 2x1/2" (17)	16 - 17	27	60	20	500	27
	61 3307 4021	SEB 2x5/8"S (21)	20 - 21	37	84	20	500	47
	61 3307 4058	SEB 2x5/8" (23)	21 - 23	37	84	20	100	45
	61 3307 4078	SEB 2x7/8" (28)	27 - 28	37	84	20	100	41
	61 3307 4114	SEB 2x1.1/4" (40)	39 - 40	54	108	20	100	67
	61 3307 4158	SEB 2x1.5/8" (52)	50 - 52	66	133	20	100	92
61 3307 4214	SEB 2x2.1/4" (60)	58 - 60	74	149	20	100	114	
	61 3307 4465	SEB 4x6M	5.5 - 6.5	20	59	20	500	27
	61 3307 4408	SEB 4x8	6.5 - 8	24	75	20	500	35
	61 3307 4411	SEB 4x11	9.5 - 11	24	75	20	500	35
	61 3307 4414	SEB 4x1/2" S	13 - 14	27	102	20	500	50
	61 3307 4412	SEB 4x1/2"	16 - 17	27	102	20	500	50

### UMO - Twin Cable Clamps for Flat Iron with Holes

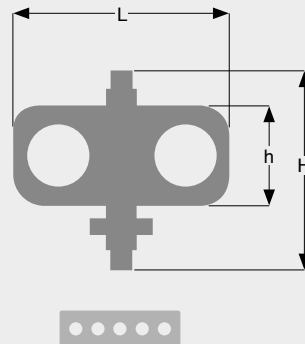
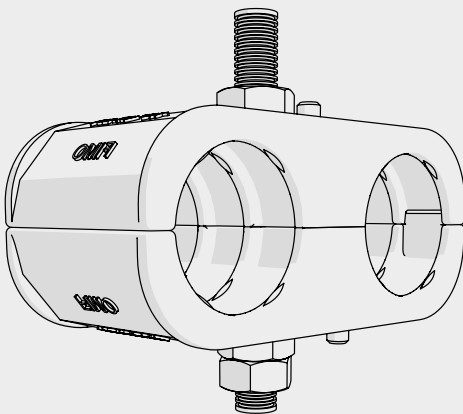
**Composition:**

**SEB** Saddle + M8 threaded bar + nuts + washers

### UMO - Fixation Double pour Fer Plat avec Trous

**Composition :**

Selle **SEB** + barre filetée M8 + écrous + rondelles



MATERIAL	
<b>Metal Parts</b>	AISI 304 Stainless Steel
<b>Saddle</b>	Fiberglass P.P. U.V. Resistant Halogen Free
<b>Colour</b>	Black

FIGURE	CODE	ARTICLE	ø D	L	h	H	BOX	WEIGHT (gr)
	61 1586 0208	UMO 2x8	6 - 8	51	20	75	20	58
	61 1586 0209	UMO 2x9	8 - 9	51	20	75	20	58
	61 1586 0211	UMO 2x11	10 - 11	51	20	75	20	58
	61 1586 0213	UMO 2x13	12 - 13	60	27	75	20	71
	61 1586 0214	UMO 2x1/2"S	13 - 14	60	27	75	20	71
	61 1586 0212	UMO 2x1/2" (17)	16 - 17	60	27	75	20	71
	61 1586 0258	UMO 2x5/8" (23)	21 - 23	84	37	75	20	112
	61 1586 0278	UMO 2x7/8" (28)	27 - 28	84	37	75	20	112
	61 1586 2114	UMO 2x1.1/4" (40)	39 - 40	108	54	100	20	144
	61 1586 2158	UMO 2x1.5/8" (52)	50 - 52	133	66	125	20	153
	61 1586 0408	UMO 4x8	6 - 8	51	40	75	20	81
	61 1586 0409	UMO 4x9	8 - 9	51	40	75	20	81
	61 1586 0411	UMO 4x11	10 - 11	51	40	75	20	81
	61 1586 0413	UMO 4x13	12 - 13	60	54	100	20	108
	61 1586 0414	UMO 4x1/2"S	13 - 14	60	54	100	20	108
	61 1586 0412	UMO 4x1/2" (17)	16 - 17	60	54	100	20	108
	61 1586 0458	UMO 4x5/8" (23)	21 - 23	84	74	125	20	108
	61 1586 0478	UMO 4x7/8" (28)	27 - 28	84	74	125	20	180
	61 1586 4114	UMO 4x1.1/4" (40)	39 - 40	108	108	150	20	225
	61 1586 4158	UMO 4x1.5/8" (52)	50 - 52	133	132	200	20	225
	61 1586 0608	UMO 6x8	6 - 8	51	60	100	20	112
	61 1586 0609	UMO 6x9	8 - 9	51	60	100	20	112
	61 1586 0611	UMO 6x11	10 - 11	51	60	100	20	112
	61 1586 0613	UMO 6x13	12 - 13	60	81	125	20	153
	61 1586 0614	UMO 6x1/2"S	13 - 14	60	81	125	20	153
	61 1586 0612	UMO 6x1/2" (17)	16 - 17	60	81	125	20	153
	61 1586 0658	UMO 6x5/8" (23)	21 - 23	84	111	150	20	238
	61 1586 0678	UMO 6x7/8" (28)	27 - 28	84	111	150	20	238
	61 1586 6114	UMO 6x1.1/4" (40)	39 - 40	108	162	200	20	306
	61 1586 6158	UMO 6x1.5/8" (52)	50 - 52	133	198	250	20	387



**UMC - Cable Clamps for Flat, Round and Angular**

**Composition:**  
UMO + MIM Mini Clamp

**UMC - Fixation pour Plat, Rond, Angulaire**

**Composition :**  
Mini pince UMO + MIM

MATERIAL	
Metal Parts	AISI 304 Stainless Steel
Saddle	Fiberglass P.P. U.V. Resistant Halogen Free
Colour	Black

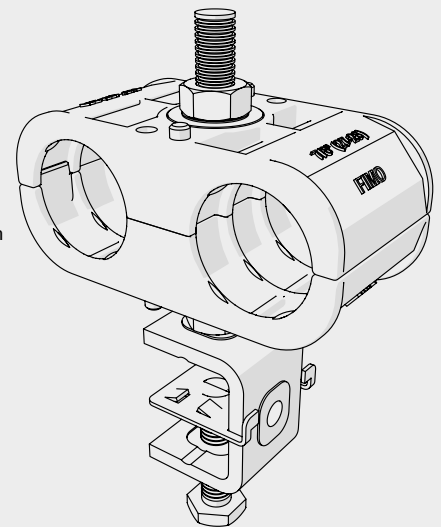
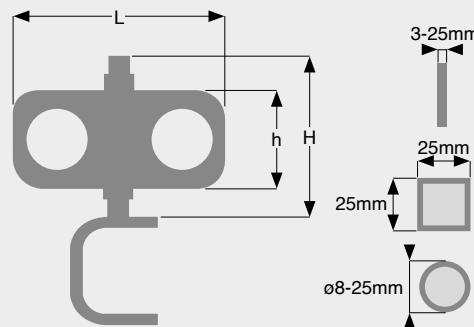


FIGURE	CODE	ARTICLE	ø D	L	h	H	BOX	WEIGHT (gr)
	61 1566 0208	UMC 2x8	6 - 8	51	20	50	20	145
	61 1566 0209	UMC 2x9	8 - 9	51	20	50	20	145
	61 1566 0211	UMC 2x11	10 - 11	51	20	50	20	145
	61 1566 0213	UMC 2x13	12 - 13	60	27	75	20	158
	61 1566 0214	UMC 2x1/2"S	13 - 14	60	27	75	20	158
	61 1566 0212	UMC 2x1/2" (17)	16 - 17	60	27	75	20	158
	61 1566 0258	UMC 2x5/8" (23)	21 - 23	84	37	75	20	199
	61 1566 0278	UMC 2x7/8" (28)	27 - 28	84	37	75	20	199
	61 1566 2114	UMC 2x1.1/4" (40)	39 - 40	108	54	100	20	231
61 1566 2158	UMC 2x1.5/8" (52)	50 - 52	133	66	100	20	240	
	61 1566 0408	UMC 4x8	6 - 8	51	40	75	20	?
	61 1566 0409	UMC 4x9	8 - 9	51	40	75	20	312
	61 1566 0411	UMC 4x11	10 - 11	51	40	75	20	168
	61 1566 0413	UMC 4x13	12 - 13	60	54	100	20	195
	61 1566 0414	UMC 4x1/2"S	13 - 14	60	54	100	20	195
	61 1566 0412	UMC 4x1/2" (17)	16 - 17	60	54	100	20	195
	61 1566 0458	UMC 4x5/8" (23)	21 - 23	84	74	125	20	195
	61 1566 0478	UMC 4x7/8" (28)	27 - 28	84	74	125	20	267
	61 1566 4114	UMC 4x1.1/4" (40)	39 - 40	108	108	150	20	312
61 1566 4158	UMC 4x1.5/8" (52)	50 - 52	133	132	200	20	312	
	61 1566 0608	UMC 6x8	6 - 8	51	60	100	20	199
	61 1566 0609	UMC 6x9	8 - 9	51	60	100	20	199
	61 1566 0611	UMC 6x11	10 - 11	51	60	100	20	199
	61 1566 0613	UMC 6x13	12 - 13	60	81	125	20	240
	61 1566 0614	UMC 6x1/2"S	13 - 14	60	81	125	20	240
	61 1566 0612	UMC 6x1/2" (17)	16 - 17	60	81	125	20	240
	61 1566 0658	UMC 6x5/8" (23)	21 - 23	84	111	150	20	325
	61 1566 0678	UMC 6x7/8" (28)	27 - 28	84	111	150	20	325
	61 1566 6114	UMC 6x1.1/4" (40)	39 - 40	108	162	200	20	393
61 1566 6158	UMC 6x1.5/8" (52)	50 - 52	133	198	250	20	474	



**LCO-LCC**  
Fasteners for Side Insertion

**Versions:**

- **LCO** for flat iron with holes
- **LCC** for flat, round, angular

**Components:**

1. **SAL** double Saddle in H.D.P.E.
2. Threaded Bar - **BFI M8**
3. **PSL** steel Flanges
4. **REI 8** Elastic Washer
5. **DAI 8** Hexagonal Nuts

**Use:**

Fixing 1 to 6 coaxial cables.

**GRE-GRQ** elastic cushions allow fastening of waveguides.

**Options:**

Available upon request threaded bar, nuts and washers M10, M12 and 3/8".

**LCO-LCC**  
*Fixation à Insertion Latérale*

**Versions:**

- **LCO** pour plat percé
- **LCC** pour plat, rond et cornière

**Composition:**

1. Garnitures double **SAL** de H.D.P.E.
2. Tige filetée - **BFI M8**
3. Plaques de poussée **PSL**
4. Rondelle élastique **REI 8**
5. Écrous hexagonaux **DAI 8**

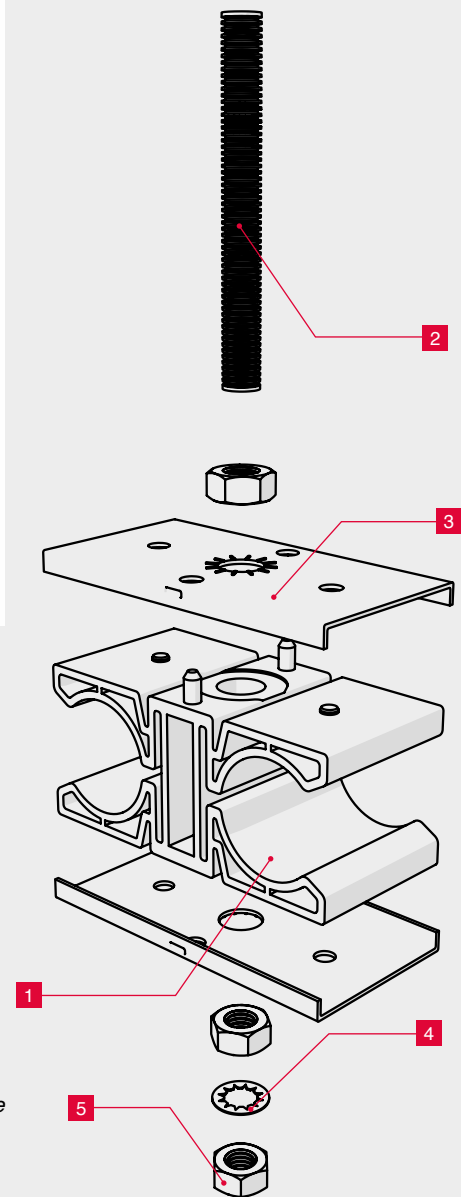
**Emploi:**

Fixation 1 - 6 câbles coaxiaux.

Fixation de guides d'onde au moyen de garnitures élastiques **GRE-GRQ**.

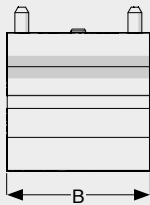
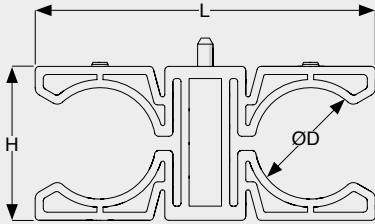
**Options:**

Disponibles sur demande, tige filetée, écrous et rondelles M10, M12 et 3/8".



# SAL

## Saddles



### MATERIAL

#### Saddle

H.D.P.E. -  
U.V. Resistant  
Halogen Free

#### Colour

Black  
(Grey on Request)

### SAL

- Elastic Monobloc Twin Saddle
- Speedy Mounting
- Side Insertion of Cables

### SAL

- Garniture Élastique Monobloc Jumelée
- Montage rapide
- Insertion latérale du Câble

FIGURE	CODE	ARTICLE	ø D	H	L	B	BAG	BOX	WEIGHT (gr)
	61 3308 0012	SAL/ 2x1/2"	16 - 17	27	62	39	20	500	30
	61 3308 0078	SAL/ 2x7/8"	27 - 29	38	84	39	20	100	40
	61 3308 0114	SAL/ 2x1.1/4"	38 - 40	50	102	39	20	100	75
	61 3308 0158	SAL/ 2x1.5/8"	50 - 52	61	119	39	20	100	100



### BCO - Compensating Bush

To be inserted when a seat of the **SAL** saddle is not used

### BCO - Douille de Compensation

On l'utilise lorsqu'un logement de la garniture **SAL** reste libre.

### MATERIAL

#### Saddle

H.D.P.E. -  
U.V. Resistant  
Halogen Free

#### Colour

Black  
(Grey on Request)

CODE	ARTICLE	ø D	L	BAG	BOX	WEIGHT (gr)
61 3309 0012	BCO/ 1/2"	17	45	10	100	15
61 3309 0078	BCO/ 7/8"	28	45	10	100	20
61 3309 0114	BCO/ 1.1/4"	40	45	10	100	35
61 3309 0158	BCO/ 1.5/8"	52	45	10	100	45

# LCO

## Cable Clamps



### LCO - Quick-fit Fasteners for Flat with Holes

- Side Insertion of Cables
- Elastic Prefixing
- Manual Final Locking

#### Composition:

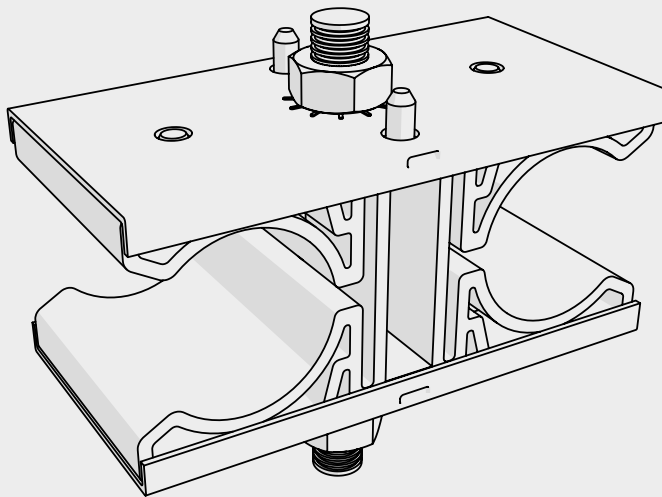
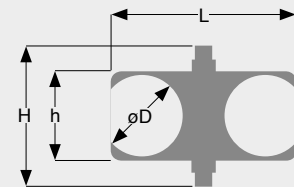
**SAL** Saddle + M8 threaded bar + nuts + washers

### LCO - Fixation Rapides pour Plat Percé

- Insertion latérale du Câble
- Pré-fixation Rapide Élastique
- Blocage Final Manuel

#### Composition:

Garniture **SAL** + broche à trou fileté M8 + écrous + rondelles



### MATERIAL

<b>Metal Parts</b>	AISI 304 Stainless Steel
<b>Saddle</b>	H.D.P.E., U.V. Resistant Halogen Free
<b>Colour</b>	Black (Grey on Request)

FIGURE	CODE	ARTICLE	ø D	L	H	h	BOX	WEIGHT (gr)
	61 1562 2012	LCO/ 2x1/2"	15 - 17	62	75	30	20	150
	61 1562 2078	LCO/ 2x7/8"	27 - 29	84	75	41	20	165
	61 1562 2114	LCO/ 2x1.1/4"	38 - 40	102	100	53	20	195
	61 1562 2158	LCO/ 2x1.5/8"	50 - 52	119	100	64	20	215
	61 1562 4012	LCO/ 4x1/2"	15 - 17	62	100	54	20	185
	61 1562 4078	LCO/ 4x7/8"	27 - 29	84	125	79	20	204
	61 1562 4114	LCO/ 4x1.1/4"	38 - 40	102	150	103	20	265
	61 1562 4158	LCO/ 4x1.5/8"	50 - 52	119	200	125	20	305
	61 1562 6012	LCO/ 6x1/2"	15 - 17	62	125	84	20	215
	61 1562 6078	LCO/ 6x7/8"	27 - 29	84	150	117	20	245
	61 1562 6114	LCO/ 6x1.1/4"	38 - 40	102	200	153	20	335
	61 1562 6158	LCO/ 6x1.5/8"	50 - 52	119	250	186	20	385



**LCC - Quick-fit Fasteners for Flat, Round and Angular**

- Side Insertion of Cables
- Elastic Prefixing
- Manual Final Locking

**Composition:**

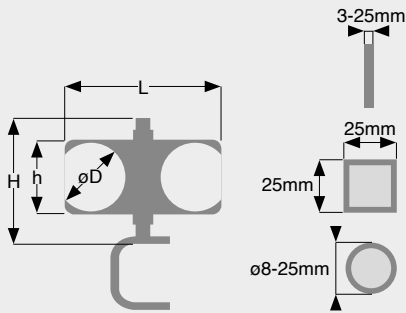
LCO + MCM 8 compact Clamp

**LCC - Fixation pour Plats, Ronds et Cornières**

- Insertion latérale du Câble
- Pré-fixation Rapide Élastique
- Blocage Final Manuel

**Composition:**

LCO + Attache monobloc MCM 8



MATERIAL	
Metal Parts	AISI 304 Stainless Steel
Saddle	H.D.P.E., U.V. Resistant Halogen Free
Colour	Black (Grey on Request)

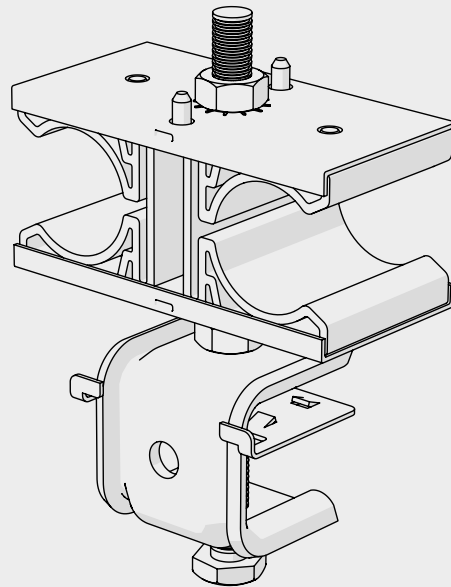
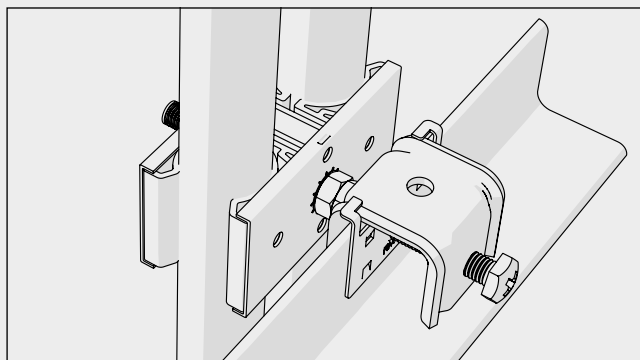
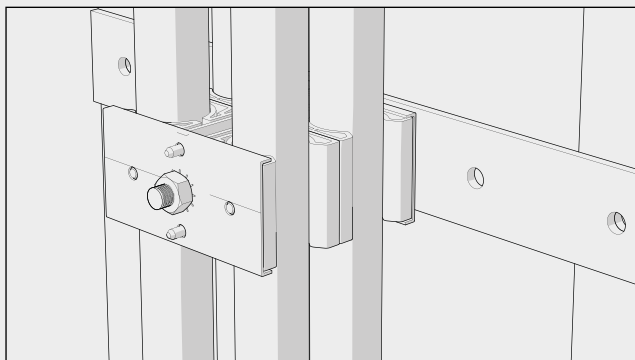


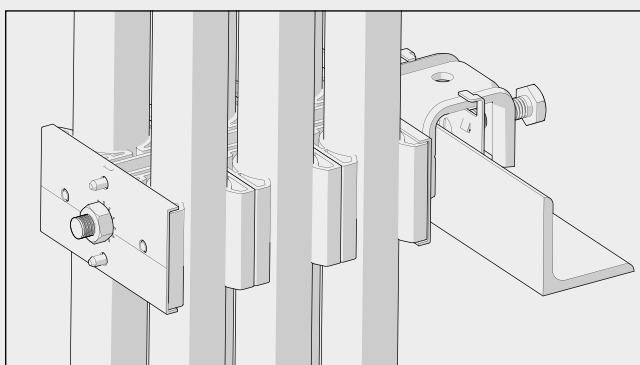
FIGURE	CODE	ARTICLE	ø D	L	H	h	BOX	WEIGHT (gr)
	61 1563 2012	LCC/ 2x1/2"	15 - 17	62	75	30	20	240
	61 1563 2078	LCC/ 2x7/8"	27 - 29	84	75	41	20	250
	61 1563 2114	LCC/ 2x1.1/4"	38 - 40	102	100	53	20	280
	61 1563 2158	LCC/ 2x1.5/8"	50 - 52	119	100	64	20	310
	61 1563 4012	LCC/ 4x1/2"	15 - 17	62	100	54	20	270
	61 1563 4078	LCC/ 4x7/8"	27 - 29	84	125	79	20	290
	61 1563 4114	LCC/ 4x1.1/4"	38 - 40	102	150	103	20	350
	61 1563 4158	LCC/ 4x1.5/8"	50 - 52	119	200	125	20	390
	61 1563 6012	LCC/ 6x1/2"	15 - 17	62	125	84	20	300
	61 1563 6078	LCC/ 6x7/8"	27 - 29	84	150	117	20	330
	61 1563 6114	LCC/ 6x1.1/4"	38 - 40	102	200	153	20	420
	61 1563 6158	LCC/ 6x1.5/8"	50 - 52	119	250	186	20	470



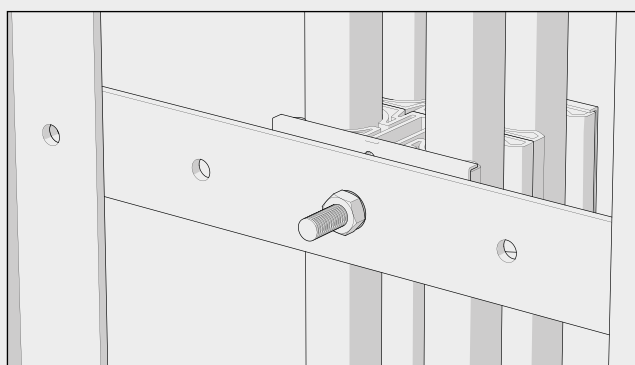
**LCC**  
On Angular



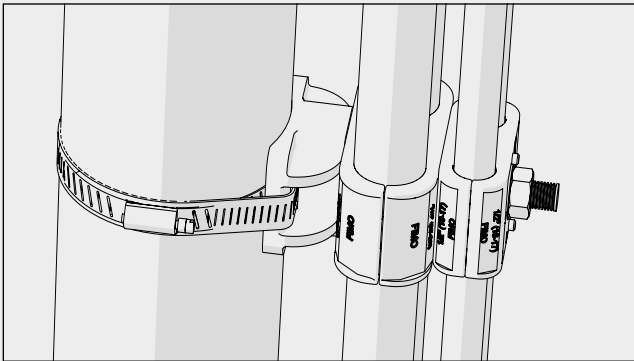
**LCO**  
On Flat Iron with Holes



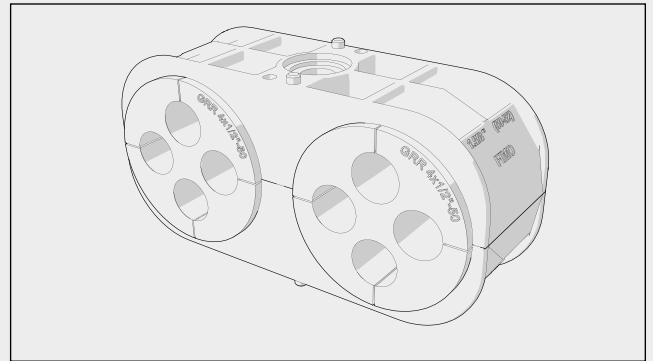
**LCC**  
On Angular



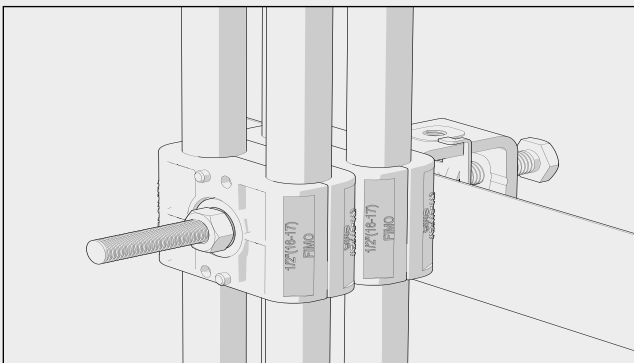
**LCO**  
On Flat Iron with Holes



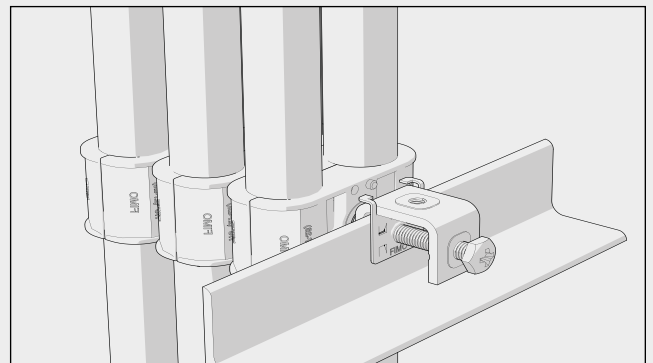
**BAP+SEB**  
Fixed on pole with FAU Hose Clamp



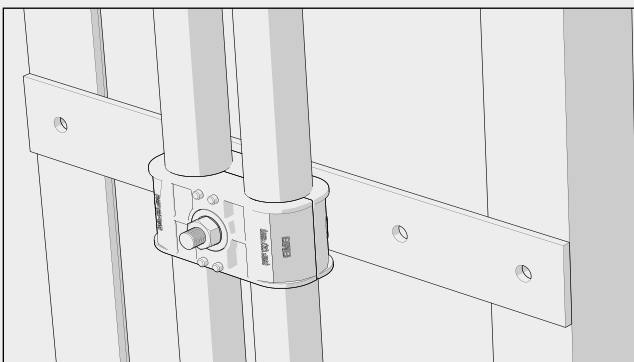
**SEB + GRR 4x1/2"**



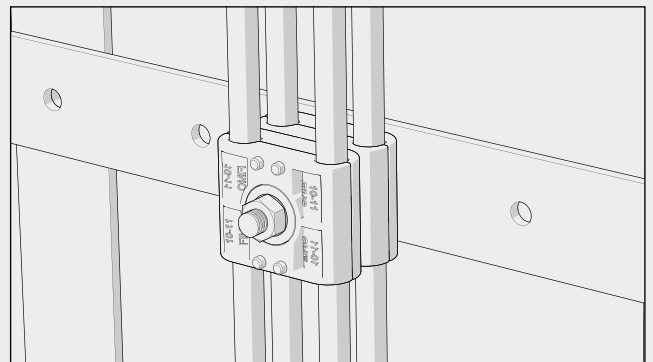
**UMC**  
On Angular



**UMC**  
On Angular



**UMO**  
On Flat Iron with Holes



**UMO**  
On Flat Iron with Holes



### MATERIAL

<b>Metal Parts</b>	AISI 304 Stainless Steel, P.A. 6, U.V. Resistant
<b>Colour</b>	Black (Grey on Request)

### MCO-MCC

Universal Mini-Clamps for RF, RG, and FO

#### Versions:

- **MCO** for flat iron with holes
- **MCC** for flat, round, angular

#### Components:

1. **SAC** Calibrated double Saddles P.A. 6
2. Threaded bar - **BFI M8**
3. **DAI 8** Hexagonal Nuts
4. **RPI** Washers
5. Flexible Hinge

#### Use:

Fixing 1 to 6 coaxial cables.  
Fixing for RG and FO cables.

#### Options:

Available upon request threaded bar, nuts and washers M10 and 3/8".

### MCO-MCC

Mini Fixation Universels pour RF, RG et FO

#### Versions:

- **MCO** pour plat percé
- **MCC** pour plat, rond et cornière

#### Composition:

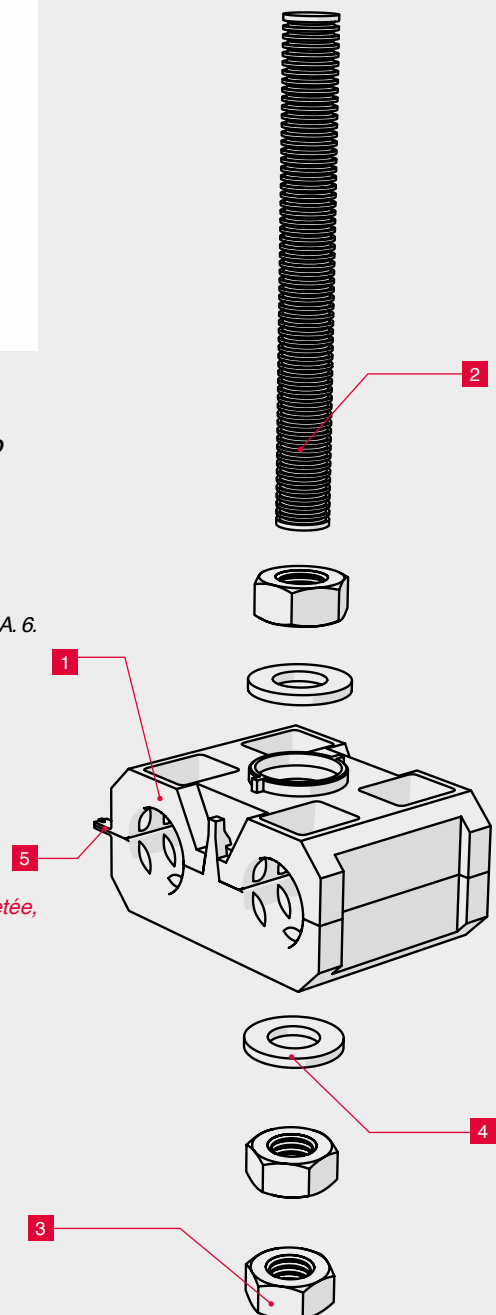
1. Double-Garnitures calibrée **SAC** de P.A. 6.
2. Tige filetée - **BFI M8**
3. Écrous hexagonaux **DAI 8**
4. Rondelles planes **RPI**
5. Charnière flexible

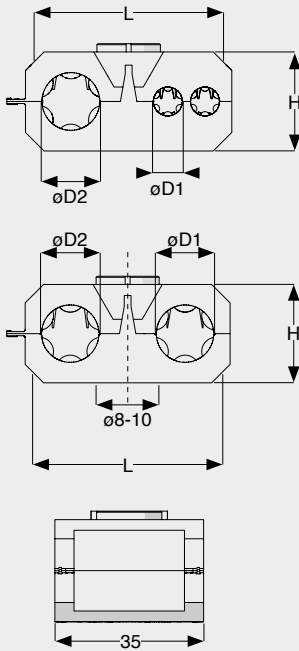
#### Emploi:

Fixation 1 - 6 câbles coaxiaux.  
Fixation de câbles RG et FO.

#### Options:

Disponibles sur demande, tige filetée, écrous et rondelles M10 et 3/8".





**SAC - Calibrated Double Saddles with Flexible Hinge for RF, RG and FO**

**SAC - Fixation Calibrées avec Charnière Flexible, pour RF, RG et FO**

SAC Mini double saddles are used for small diameter cables.

They consist of two hinged calibrated half saddles that snap down on **couples of cables**, remaining blocked on the cables to be fixed.

The two cables, can be led to the fixing point and finally blocked there **through M8/M10 threaded bars and screws, or sRF Cable Clamps.**

Cables are gently held, thanks to the internal special geometry of the saddles. They are specially recommended for **RG and FO cables.**

Les mini-garnitures doubles **SAC**, destinées à la fixation des câbles de petit diamètre, sont constituées de deux demi-selles calibrées et articulées entre elles. Elles se referment à déclic sur une **paire de câbles**, et y restent bloquées.

Les deux câbles, maintenus ainsi, sont entraînés vers le point de fixation pour y être définitivement bloqués à l'aide de **vis et de broches à trou fileté M8/M10, ou attaches fixation sRF.**

Les câbles sont maintenus en douceur grâce à la géométrie interne des mini-garnitures SAC. Ils sont particulièrement recommandés pour les câbles **RG et FO.**

### MATERIAL

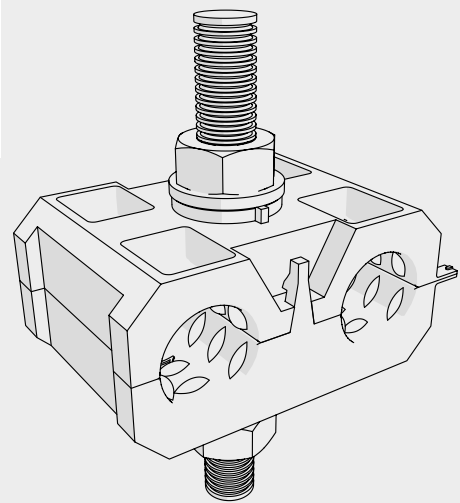
Saddle	P.A. 6 U.V. Resistant Halogen Free
Colour	Black (Grey on Request)

FIGURE	CODE	ARTICLE	ø D1	ø D2	H	L	BAG	BOX	WEIGHT (gr)
<b>Standard Line</b>									
	61 3307 7205	<b>SAC 2x5</b>	4 - 5	4 - 5	18.5	34	20	500	18
	61 3307 7265	<b>SAC 2x6,5</b>	4.5 - 6.5	4.5 - 6.5	18.5	34	20	500	16
	61 3307 7207	<b>SAC 2x7</b>	5 - 7	5 - 7	18.5	34	20	500	17
	61 3307 7209	<b>SAC 2x9</b>	7 - 9	7 - 9	18.5	34	20	500	14
	61 3307 7211	<b>SAC 2x11</b>	9 - 11	9 - 11	18.5	34	20	500	12
	61 3307 0212	<b>SAC 2x12</b>	9 - 12	9 - 12	18.5	46	20	500	12
	61 3307 2214	<b>SAC 2x14</b>	11 - 14	11 - 14	24	46	20	500	25
	61 3307 2212	<b>SAC 2x1/2"</b>	14 - 17	14 - 17	24	46	20	500	19
	61 3307 2220	<b>SAC 2x20</b>	17 - 20	17 - 20	33	58	20	500	42
	61 3307 2221	<b>SAC 2x21</b>	19 - 21	19 - 21	33	58	20	500	37
<b>Hybrid Saddles</b>									
	61 3307 0507	<b>SAC 1x5+1x7</b>	4 - 5	5 - 7	18.5	34	20	500	12
	61 3307 0511	<b>SAC 1x5+1x11</b>	4 - 5	9 - 11	18.5	34	20	500	16
	61 3307 0709	<b>SAC 1x7+1x9</b>	5 - 7	7 - 9	18.5	34	20	500	16
	613307 0711	<b>SAC 1x7+1x11</b>	5 - 7	9 - 11	18.5	34	20	500	15
	61 3307 0514	<b>SAC 1x5+1x14</b>	4 - 5	11 - 14	24	46	20	500	29
	61 3307 0714	<b>SAC 1x7+1x14</b>	5 - 7	11 - 14	24	46	20	500	28
	613307 0717	<b>SAC 1x7+1x1/2"</b>	5 - 7	14 - 17	24	46	20	500	25
	61 3307 0911	<b>SAC 1x9+1x11</b>	7 - 9	9 - 11	18.5	34	20	500	15
	61 3307 2712	<b>SAC 2x7+1x12</b>	5 - 7	9 - 12	24	46	20	500	23
	61 3307 2717	<b>SAC 2x7+1x1/2"</b>	5 - 7	14 - 17	24	46	20	500	25
	61 3307 0914	<b>SAC 1x9+1x14</b>	7 - 9	11 - 14	24	46	20	500	27
	61 3307 2714	<b>SAC 2x7+1x14</b>	5 - 7	11 - 14	24	46	20	500	27
	61 3307 2717	<b>SAC 2x7 + 1x1/2"</b>	5 - 7	14 - 17	24	46	20	500	25
61 3307 0720	<b>SAC 1x7+1x20</b>	5 - 7	17 - 20	33	58	20	500	54	



### MATERIAL

<b>Metal Parts</b>	AISI 304 Stainless Steel
<b>Saddle</b>	P.A. 6, U.V. Resistant Halogen Free
<b>Colour</b>	Black (Grey on Request)



### MCO - Mini-Clamps for Flat Iron with Holes

**Composition:**

SAC Saddle + M8 threaded bar + nuts + washers

### MCO - Mini Fixation pour Plat Troué

**Composition:**

Garniture SAC + broche à trou fileté M8 + écrous + rondelles

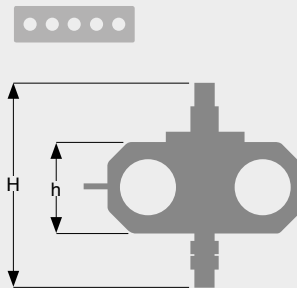
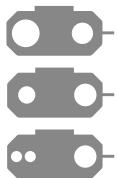


FIGURE	CODE	ARTICLE	ø D	H	h	BOX	WEIGHT (gr)
	61 1569 0207	MCO 2x7	5 - 7	50	18.5	20	45
	61 1569 0209	MCO 2x9	7 - 9	50	18.5	20	45
	61 1569 0211	MCO 2x11	9 - 11	50	18.5	20	45
	61 1569 0214	MCO 2x14	11 - 14	50	24	20	55
	61 1569 0212	MCO 2x1/2"	14 - 17	50	24	20	51
	61 1569 0220	MCO 2x20	17 - 20	50	33	20	78
	61 1569 0407	MCO 4x7	5 - 7	75	37	20	65
	61 1569 0409	MCO 4x9	7 - 9	75	37	20	65
	61 1569 0411	MCO 4x11	9 - 11	75	37	20	65
	61 1569 0414	MCO 4x14	11 - 14	100	48	20	93
	61 1569 0412	MCO 4x1/2"	14 - 17	100	48	20	85
	61 1569 0420	MCO 4x20	17 - 20	100	66	20	137
	61 1569 0607	MCO 6x7	5 - 7	100	55.5	20	85
	61 1569 0609	MCO 6x9	7 - 9	100	55.5	20	85
	61 1569 0611	MCO 6x11	9 - 11	100	55.5	20	85
	61 1569 0614	MCO 6x14	11 - 14	125	72	20	123
	61 1569 0612	MCO 6x1/2"	14 - 17	125	72	20	111
	61 1569 0620	MCO 6x20	17 - 20	150	99	20	195



On request special combinations of two different diameters for each SAC Saddle



**MCC - Mini-Clamps for Flat, Round and Angular**

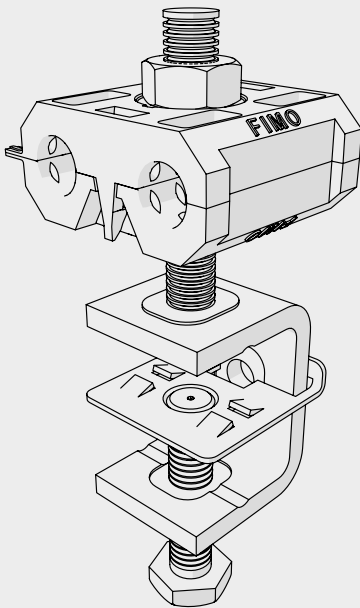
**Composition:**

MCO + MIM 8 Mini Clamp

**MCC - Fixation pour Plats, Ronds et Cornières**

**Composition:**

MCO + mini attache MIM 8



### MATERIAL

<b>Metal Parts</b>	AISI 304 Stainless Steel
<b>Saddle</b>	P.A. 6, U.V. Resistant Halogen Free
<b>Colour</b>	Black (Grey on Request)

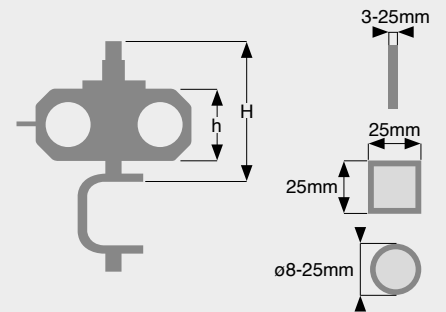
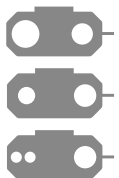


FIGURE	CODE	ARTICLE	ø D	H	h	BOX	WEIGHT (gr)
	61 1570 0207	MCC 2x7	5 - 7	50	18.5	20	120
	61 1570 0209	MCC 2x9	7 - 9	50	18.5	20	120
	61 1570 0211	MCC 2x11	9 - 11	50	18.5	20	120
	61 1570 0214	MCC 2x14	11 - 14	50	24	20	130
	61 1570 0212	MCC 2x1/2"	14 - 17	50	24	20	126
61 1570 0220	MCC 2x20	17 - 20	50	33	20	153	
	61 1570 0407	MCC 4x7	5 - 7	75	37	20	140
	61 1570 0409	MCC 4x9	7 - 9	75	37	20	140
	61 1570 0411	MCC 4x11	9 - 11	75	37	20	140
	61 1570 0414	MCC 4x14	11 - 14	100	48	20	168
	61 1570 0412	MCC 4x1/2"	14 - 17	100	48	20	160
	61 1570 0420	MCC 4x20	17 - 20	100	66	20	212
	61 1570 0607	MCC 6x7	5 - 7	100	55.5	20	160
	61 1570 0609	MCC 6x9	7 - 9	100	55.5	20	160
	61 1570 0611	MCC 6x11	9 - 11	100	55.5	20	160
	61 1570 0614	MCC 6x14	11 - 14	125	72	20	198
	61 1570 0612	MCC 6x1/2"	14 - 17	125	72	20	186
	61 1570 0620	MCC 6x20	17 - 20	150	99	20	270



On request special combinations of two different diameters for each SAC Saddle

# MM

## Mini Cable Clamps



CABLE CLAMPS  
PRODUCT CATALOGUE



### MATERIAL

<b>Metal Parts</b>	AISI 304 Stainless Steel
<b>Saddle</b>	P.A. U.V. Resistant Halogen Free
<b>Colour</b>	Black

#### MMO-MMC

Universal Mini-Clamps for RF, RG, and FO

#### Versions:

- **MMO** for flat iron with holes
- **MMC** for flat, round, angular

#### Components:

1. **SEC** Calibrated double Saddles P.A. 6
2. Threaded bar - **BFI M8**
3. **DAI 8** Hexagonal Nuts
4. **RPI** Washers

#### Use:

Fixing for POWER and FO cables.

#### Options:

Available upon request threaded bar, nuts and washers M10 and 3/8".

#### MMO-MMC

Mini Pincés Universelles pour RF, RG et FO

#### Versions :

- **MMO** pour fer plat avec trous
- **MMC** pour plat, rond, angulaire

#### Composants :

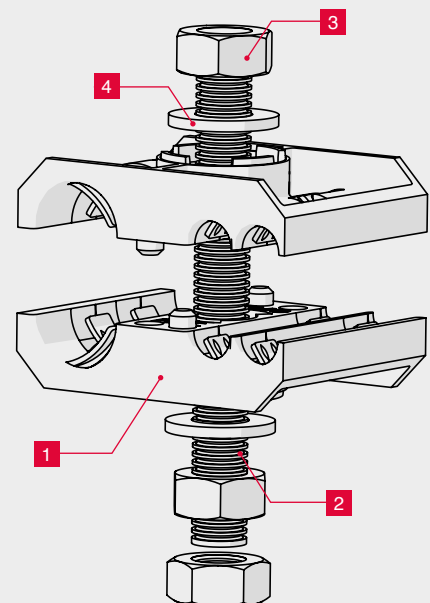
1. Double garniture étalonnée P.A. 6 **SEC**
2. Barre filetée - **BFI M8**
3. Écrous hexagonaux **DAI 8**
4. Rondelles **RPI**

#### Usage :

Fixation pour câbles énergies et FO

#### Options :

Barre filetée, écrous et rondelles M10 et 3/8" disponibles sur demande.





**MATERIAL**

<b>Saddle</b>	P.A. U.V. Resistant Halogen Free
<b>Colour</b>	Black

**SEC - Double Saddles for a Wide Range of Diameters**

SEC mini saddles are used for small diameter cables. The innovative design of the saddle allows the fixing of cables with a wide range of diameters.

The two saddles fitting corresponds to the diameter of a wide range of POWER and FO cables.

**SEC - Double Garniture pour Une Gamme Étendue de Diamètres**

Les mini garnitures SEC sont utilisées pour les câbles de petit diamètre. La conception novatrice de la garniture permet aux câbles de s'adapter à une vaste gamme de diamètres.

La fixation de la double garniture correspond au diamètre d'une vaste gamme de câbles POWER et FO.

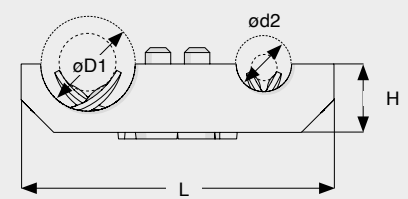
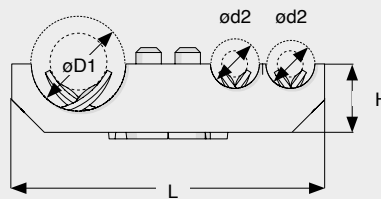
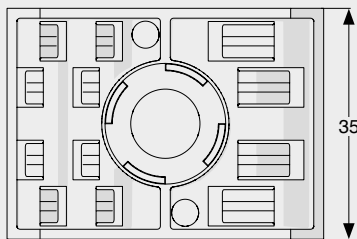


FIGURE	CODE	ARTICLE	ø D1	ø d2	H (mm)	L (mm)	BAG	BOX	WEIGHT (gr)
<b>Standard Line</b>									
	61 3303 0207	<b>SEC 2x7</b>	4 - 7	-	9	40	20	100	5
	61 3303 0209	<b>SEC 2x9</b>	6 - 9	-	9	40	20	100	4.9
	61 3303 0211	<b>SEC 2x11</b>	8 - 11	-	9	40	20	100	4.5
	61 3303 0214	<b>SEC 2x14</b>	9 - 14	-	10.5	48	20	100	5.9
	61 3303 0219	<b>SEC 2x19</b>	14 - 19	-	13	57	20	100	7.7
	61 3303 0221	<b>SEC 2x21</b>	16 - 21	-	16	67	20	100	9.9
	61 3303 0224	<b>SEC 2x24</b>	19 - 24	-	16	67	20	100	9.9
<b>Hybrid Saddles</b>									
	61 3303 0709	<b>SEC 1x9+1x7</b>	6 - 9	4 - 7	9	40	20	100	4.5
	61 3303 0711	<b>SEC 1x11+1x7</b>	8 - 11	4 - 7	9	40	20	100	4.5
	61 3303 0814	<b>SEC 1x14+1x8</b>	9 - 14	5 - 8	10.5	48	20	100	6
	61 3303 2714	<b>SEC 1x14+2x7</b>	9 - 14	4 - 7	10.5	48	20	100	5.8
	61 3303 1014	<b>SEC 1x14+1x10</b>	9 - 14	7 - 10	10.5	48	20	100	5.8
	61 3303 0819	<b>SEC 1x19+1x8</b>	14 - 19	5 - 8	13	57	20	100	7.9
	61 3303 2719	<b>SEC 1x19 +2x7</b>	14 - 19	4 - 7	13	57	20	100	7.9
	61 3303 0821	<b>SEC 1x21+1x8</b>	16 - 21	5 - 8	16	67	20	100	10
	61 3303 0824	<b>SEC 1x24+1x8</b>	19 - 24	5 - 8	16	67	20	100	10



### MMO - Mini-Clamps for Flat Iron with Holes

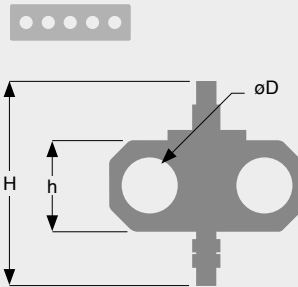
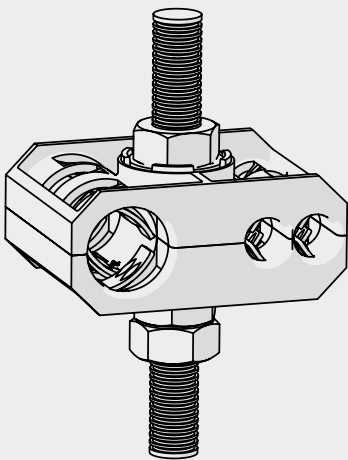
**Composition:**

SEC Saddle + M8 threaded bar + nuts + washers

### MMO - Mini Pincés pour Fer Plat avec Trous

**Composition :**

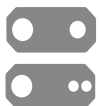
Selle SEC + barre filetée M8 + écrous + rondelles



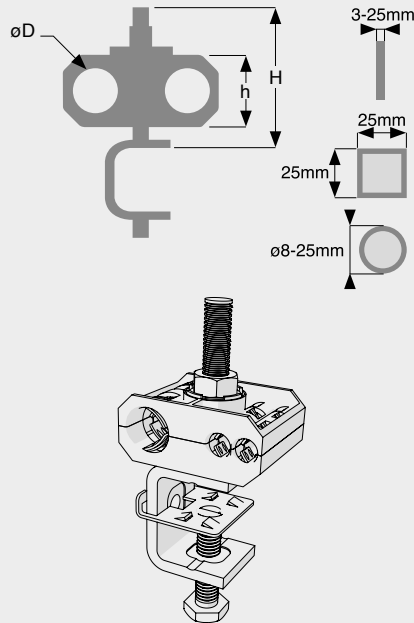
**MATERIAL**

<b>Metal Parts</b>	AISI 304 Stainless Steel
<b>Saddle</b>	P.A. U.V. Resistant Halogen Free
<b>Colour</b>	Black

FIGURE	CODE	ARTICLE	ø D	h	H	BOX	WEIGHT (gr)
	61 1589 0207	MMO 2x7	4 - 7	18	50	20	34
	61 1589 0209	MMO 2x9	6 - 9	18	50	20	34
	61 1589 0211	MMO 2x11	8 - 11	18	50	20	34
	61 1589 0214	MMO 2x14	9 - 14	21	50	20	41
	61 1589 0219	MMO 2x19	14 - 19	26	75	20	59
	61 1589 0221	MMO 2x21	16 - 21	32	75	20	64
	61 1589 0224	MMO 2x24	19 - 24	32	75	20	64
	61 1589 0407	MMO 4x7	4 - 7	36	75	20	49
	61 1589 0409	MMO 4x9	6 - 9	36	75	20	49
	61 1589 0411	MMO 4x11	8 - 11	36	75	20	49
	61 1589 0414	MMO 4x14	9 - 14	42	100	20	70
	61 1589 0419	MMO 4x19	14 - 19	52	100	20	83
	61 1589 0421	MMO 4x21	16 - 21	64	100	20	92
	61 1589 0424	MMO 4x24	19 - 24	64	100	20	92
	61 1589 0607	MMO 6x7	4 - 7	54	100	20	64
	61 1589 0609	MMO 6x9	6 - 9	54	100	20	64
	61 1589 0611	MMO 6x11	8 - 11	54	100	20	64
	61 1589 0614	MMO 6x14	9 - 14	63	100	20	88
	61 1589 0619	MMO 6x19	14 - 19	78	125	20	107
	61 1589 0621	MMO 6x21	16 - 21	96	150	20	129
	61 1589 0624	MMO 6x24	19 - 24	96	150	20	129



On request special combinations of two different diameters for each SEC Saddle



**MMC - Mini-Clamps for Flat, Round and Angular**

**Composition:**  
MMO + MIM 8 Mini Clamp

**MMC - Mini pinces Pour Plat, Rond et Angulaire**

**Composition :**  
Mini pince MMO + MIM 8

### MATERIAL

<b>Metal Parts</b>	AISI 304 Stainless Steel
<b>Saddle</b>	P.A. U.V. Resistant Halogen Free
<b>Colour</b>	Black

FIGURE	CODE	ARTICLE	ø D1	ø d2	h	H	BOX	WEIGHT (gr)
	61 1585 0207	MMC 2x7	4 - 7	-	18	50	20	116
	61 1585 0209	MMC 2x9	6 - 9	-	18	50	20	116
	61 1585 0211	MMC 2x11	8 - 11	-	18	50	20	116
	61 1585 0214	MMC 2x14	9 - 14	-	21	50	20	123
	61 1585 0219	MMC 2x19	14 - 19	-	26	50	20	135
	61 1585 0221	MMC 2x21	16 - 21	-	32	50	20	145
	61 1585 0224	MMC 2x24	19 - 24	-	32	50	20	140
	61 1585 0407	MMC 4x7	4 - 7	-	36	50	20	136
	61 1585 0409	MMC 4x9	6 - 9	-	36	50	20	136
	61 1585 0411	MMC 4x11	8 - 11	-	36	50	20	136
	61 1585 0414	MMC 4x14	9 - 14	-	42	75	20	143
	61 1585 0419	MMC 4x19	14 - 19	-	52	75	20	160
	61 1585 0421	MMC 4x21	16 - 21	-	64	100	20	175
	61 1585 0424	MMC 4x24	19 - 24	-	64	100	20	170
	61 1585 0607	MMC 6x7	4 - 7	-	54	75	20	150
	61 1585 0609	MMC 6x9	6 - 9	-	54	75	20	150
	61 1585 0611	MMC 6x11	8 - 11	-	54	75	20	150
	61 1585 0614	MMC 6x14	9 - 14	-	63	100	20	170
	61 1585 0619	MMC 6x19	14 - 19	-	78	100	20	180
	61 1585 0621	MMC 6x21	16 - 21	-	96	125	20	210
	61 1585 0624	MMC 6x24	19 - 24	-	96	125	20	205
<b>Hybrid Solutions</b>								
	61 1585 1814	MMC 1x14+1x8	9 - 14	5 - 8	21	50	20	123
	61 1585 1427	MMC 1x14+2x7	9 - 14	4 - 7	21	50	20	123
	61 1585 1819	MMC 1x19+1x8	14 - 19	5 - 8	26	50	20	135
	61 1585 1927	MMC 1x19+2x7	14 - 19	4 - 7	26	50	20	135
	61 1585 1821	MMC 1x21+1x8	16 - 21	5 - 8	32	50	20	140
	61 1585 1824	MMC 1x24+1x8	19 - 24	5 - 8	32	50	20	140
	61 1585 2814	MMC 1x14+1x8/2	9 - 14	5 - 8	42	75	20	143
	61 1585 2427	MMC 1x14+2x7/2	9 - 14	4 - 7	42	75	20	143
	61 1585 2819	MMC 1x19+1x8/2	14 - 19	5 - 8	52	75	20	160
	61 1585 2927	MMC 1x19+2x7/2	14 - 19	4 - 7	52	75	20	160
	61 1585 2821	MMC 1x21+1x8/2	16 - 21	5 - 8	64	100	20	170
	61 1585 2824	MMC 1x24+1x8/2	19 - 24	5 - 8	64	100	20	170
	61 1585 3814	MMC 1x14+1x8/3	9 - 14	5 - 8	63	100	20	170
	61 1585 3427	MMC 1x14+2x7/3	9 - 14	4 - 7	63	100	20	170
	61 1585 3819	MMC 1x19+1x8/3	14 - 19	5 - 8	78	100	20	180
	61 1585 3927	MMC 1x19+2x7/3	14 - 19	4 - 7	78	100	20	180
	61 1585 3821	MMC 1x21+1x8/3	16 - 21	5 - 8	96	125	20	205
	61 1585 3824	MMC 1x24+1x8/3	19 - 24	5 - 8	96	125	20	205

On request special combinations of two different diameters for each SEC Saddle

# UAS

## Universal Adaptor



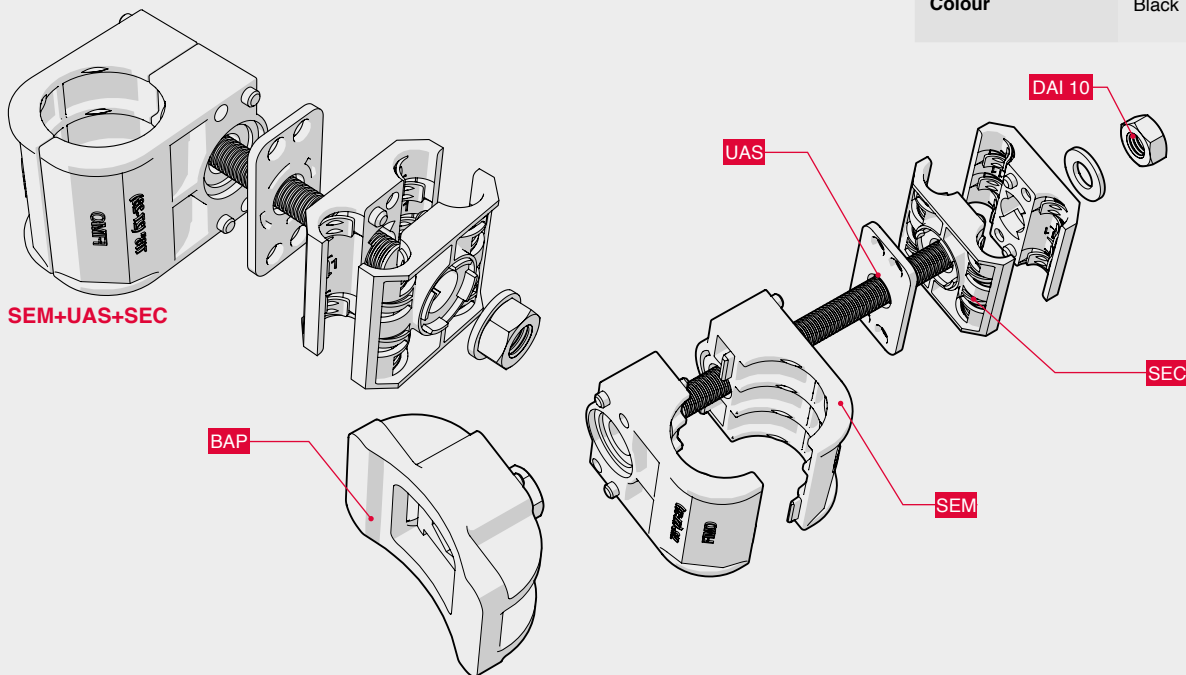
### UAS - Universal Adaptor for Saddles

**UAS** Universal Adaptor for saddles is a plastic spacer used to combine different models of FIMO saddles.  
**UAS** is also combinable with **BAP 10** plastic socle.

### UAS - Adaptateur Universel pour Garnitures

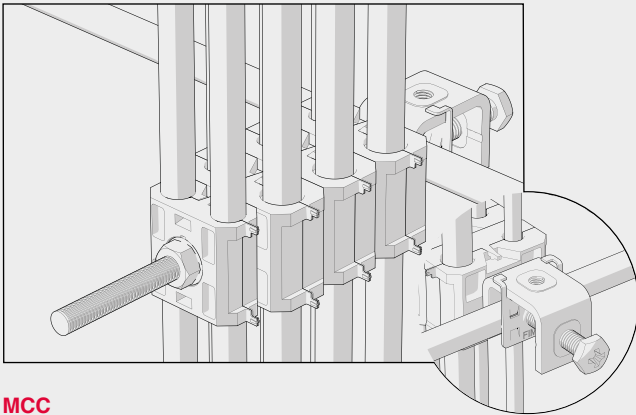
*L'adaptateur universel pour les garnitures **UAS** est une entretoise en plastique utilisée pour combiner différents modèles de selles FIMO.  
**UAS** peut également être combiné avec le socle en plastique **BAP 10**.*

MATERIAL	
Saddle	Fiberglass P.P. U.V. Resistant Halogen Free
Colour	Black

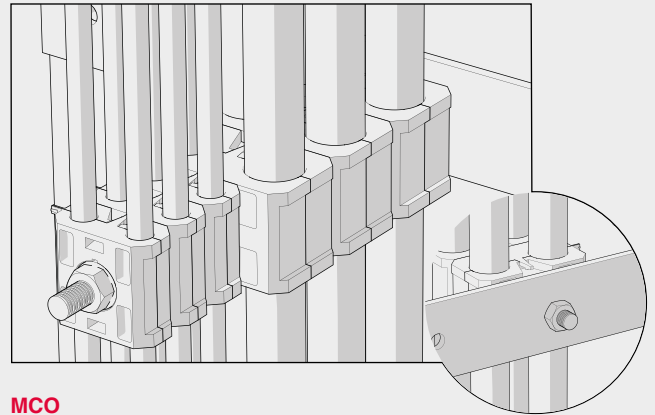


CODE	ARTICLE	MAY BE USED WITH	BAG	BOX	WEIGHT
61 3209 0802	UAS *	BAP10, SEB, SEM, SEC	20	100	3.2

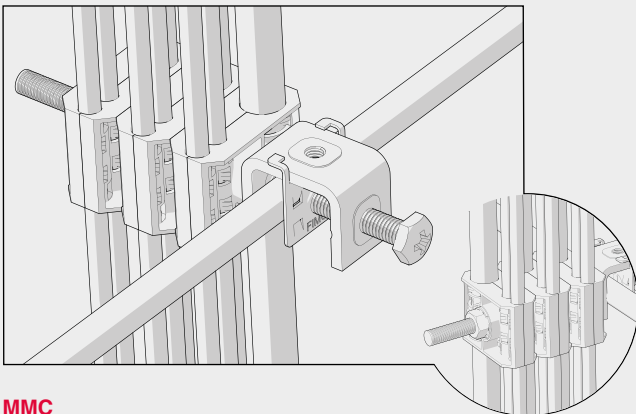
\*upon request



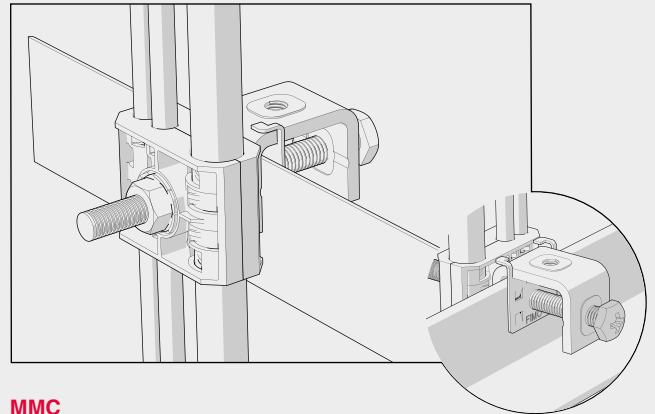
**MCC**  
**On Round**



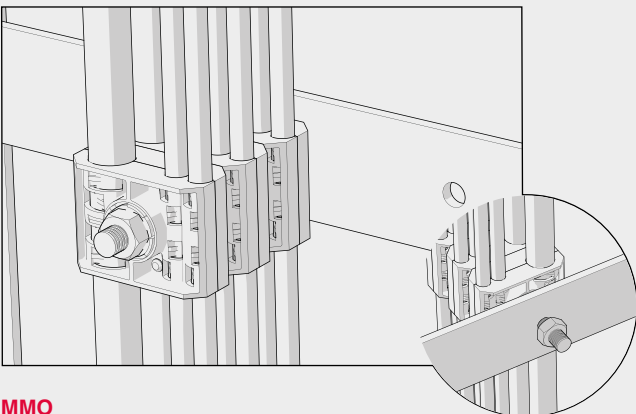
**MCO**  
**On Flat Iron with Holes**



**MMC**  
**On Round**



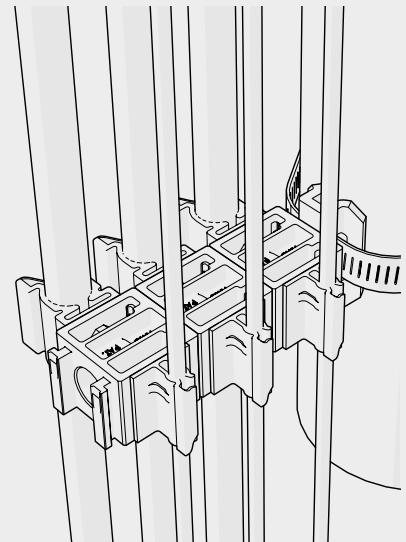
**MMC**  
**On Angular**



**MMO**  
**On Flat Iron with Holes**



MATERIAL	
Metal Parts	AISI 304 Stainless Steel
Saddle	P.A. U.V. Resistant Halogen Free
Colour	Black



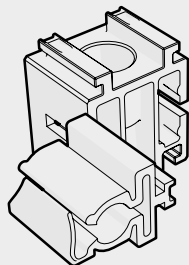
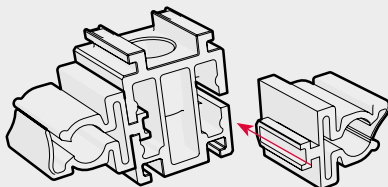
**SDA M - SDC M - SDU M - SDP M**  
No Tools Cable Clamps

Versions:

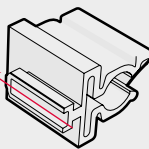
- **SDA M** for flat and angular
- **SDC M** for flat, round, and angular
- **SDP M** for flat, round, and angular
- **SDU M** for various structures like poles and pylons

**Use:**

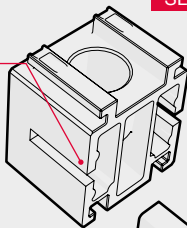
Fixing for POWER and FO cables



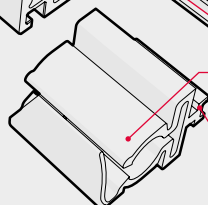
CENTRAL BODY



SLIDE



MODULAR FASTENER



SLIDE

**MODULAR SYSTEM**

A central slide allows the locking of modular fasteners on the body of the saddle

**SDA M - SDC M - SDU M - SDP M**  
Fixation sans outils

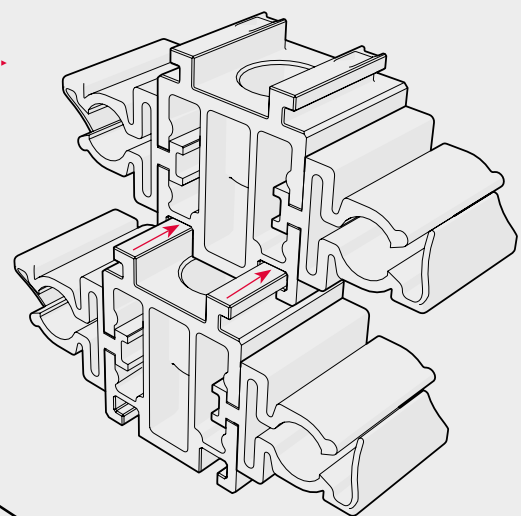
Versions :

- **SDA M** pour plat et angulaire
- **SDC M** pour plat, rond et angulaire
- **SDP M** pour plat, rond et angulaire
- **SDU M** pour diverses structures telles que les pôles et pylônes

**Usage :**

Fixation pour câbles et FO

• **SDS M+BAM**  
On Pole



**SLIDE IN SYSTEM**  
Two slides allow the stack up of other SDS saddles without any hardware and tools

# SDS M

## No Tools Stackable Modular Double Saddles



CABLE CLAMPS  
PRODUCT CATALOGUE



### MATERIAL

Saddle	P.A. U.V. Resistant Halogen Free
Colour	Black

### SDS M - No Tools Stackable Modular Double Saddles

SDS M no tools stackable modular double saddles are used for small diameters cables.

SDS M consists of a central body and modular fasteners for a quick side insertion of cables. Security Clips prevent accidental exit of cables from its housing.

The central body can be connected with a M8 screw to any type of clamp (**MAM 8**, **MBM 8**, **MIM 8**) or socle (**BAM**, **BOM**).

Two slides on the central body allow the stack up of other SDS M saddles without any hardware like threaded bars, washers and nuts.

The side modular fasteners are locked on the body of the saddles through a central slide and allow a fast and safe fixing of power and fiber optic cables without the use of tools.

### SDS M - Doubles garnitures modulaires empilables sans outils

SDS M doubles garnitures modulaires empilables sans outils utilisées pour les câbles de plus petit diamètre.

SDS M consiste en un corps central et des attaches modulaires pour une insertion latérale rapide des câbles. Les clips de sécurité préviennent la sortie accidentelle des câbles de leur boîtier.

Le corps central peut être relié à une vis M8 à tout type d'attache (**MAM 8**, **MBM 8**, **MIM 8**) ou socle (**BAM**, **BOM**).

Deux glissières sur le corps central permettent l'empilement d'autres garnitures SDS M sans aucun matériel tel que des barres filetées, des rondelles et des écrous.

Les attaches modulaires latérales sont verrouillées sur le corps des selles par le biais d'une glissière centrale et permettent une fixation rapide et sûre des câbles électriques et optiques en fibre sans l'utilisation d'outils.

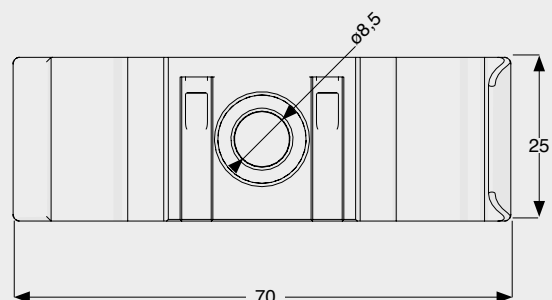
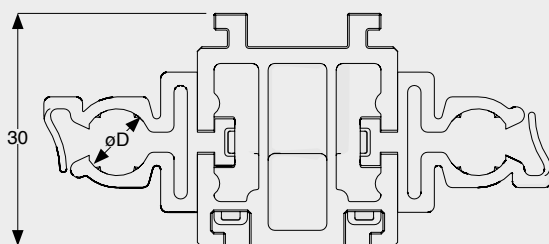




FIGURE	CODE	ARTICLE	ø D	ø d	BOX	WEIGHT (gr)
<b>Standard Line</b>						
	61 3316 0207	SDS M 1x7+1x7	5 - 7	5 - 7	20	22
	61 3316 0210	SDS M 1x10+1x10	7 - 10	7 - 10	20	22
	61 3316 0211	SDS M 1x11+1x11	8 - 11	8 - 11	20	22
	61 3316 0213	SDS M 1x13+1x13	10 - 13	10 - 13	20	22
	61 3316 0216	SDS M 1x16+1x16	13 - 16	13 - 16	20	22
	61 3316 0217	SDS M 1x17+1x17	14 - 17	14 - 17	20	22
	61 3316 0220	SDS M 1x20+1x20	17 - 20	17 - 20	20	22
<b>Hybrid Saddles</b>						
	61 3316 2007	SDS M 1x20+1x7	17 - 20	5 - 7	20	22
	61 3316 2010	SDS M 1x20+1x10	17 - 20	7 - 10	20	22
	61 3316 2011	SDS M 1x20+1x11	17 - 20	8 - 11	20	22
	61 3316 2013	SDS M 1x20+1x13	17 - 20	10 - 13	20	22
	61 3316 2017	SDS M 1x20+1x17	17 - 20	14 - 17	20	22
	61 3316 1707	SDS M 1x17+1x7	14 - 17	5 - 7	20	22
	61 3316 1710	SDS M 1x17+1x10	14 - 17	7 - 10	20	22
	61 3316 1711	SDS M 1x17+1x11	14 - 17	8 - 11	20	22
	61 3316 1713	SDS M 1x17+1x13	14 - 17	10 - 13	20	22
	61 3316 1307	SDS M 1x13+1x7	10 - 13	5 - 7	20	22
	61 3316 1310	SDS M 1x13+1x10	10 - 13	7 - 10	20	22
	61 3316 1311	SDS M 1x13+1x11	10 - 13	8 - 11	20	22
	61 3316 1110	SDS M 1x11+1x10	8 - 11	7 - 10	20	22
	61 3316 1107	SDS M 1x11+1x7	8 - 11	5 - 7	20	22
	61 3316 1007	SDS M 1x10+1x7	7 - 10	5 - 7	20	22
	61 3316 3535	SDS M 3x4.5+3x4.5	3 - 4.5	3 - 4.5	20	22

\* 3-5 (with only 2 cables installed)

All combinations are available. Contact the FIMO® sales office

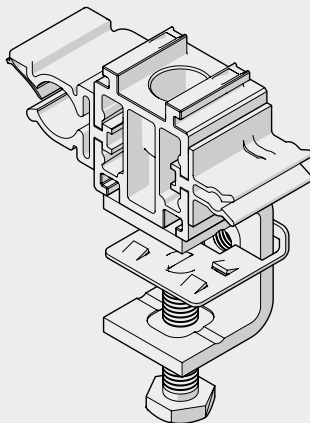
# SDC M

No Tools Cable Clamps



CABLE CLAMPS  
PRODUCT CATALOGUE

MATERIAL	
Metal Parts	AISI 304 Stainless Steel
Saddle	P.A. - U.V. Resistant Halogen Free
Colour	Black



**SDC M**  
No Tools Modular Stackable Double Saddles for  
Flats, Angular and Round

**SDC M**  
*Doubles Garnitures Modulaires Empilables  
Sans Outils pour Plat, Angulaire et Rond*

Composition: **SDS M** + **MIM8** Mini clamp

Composition : **SDS** + **MIM8** Mini attache

FIGURE	CODE	ARTICLE	ø D	ø d	BOX	WEIGHT (gr)
<b>Standard Line</b>						
	61 2590 0207	SDC M 1x7+1x7	5 - 7	5 - 7	20	120
	61 2590 0210	SDC M 1x10+1x10	7 - 10	7 - 10	20	120
	61 2590 0211	SDC M 1x11+1x11	8 - 11	8 - 11	20	120
	61 2590 0213	SDC M 1x13+1x13	10 - 13	10 - 13	20	120
	61 2590 0216	SDC M 1x16+1x16	13 - 16	13 - 16	20	120
	61 2590 0217	SDC M 1x17+1x17	14 - 17	14 - 17	20	120
	61 2590 0220	SDC M 1x20+1x20	17 - 20	17 - 20	20	120
	61 2590 0407	SDC M 1x7+1x7/2	5 - 7	5 - 7	20	142
	61 2590 0410	SDC M 1x10+1x10/2	7 - 10	7 - 10	20	142
	61 2590 0411	SDC M 1x11+1x11/2	8 - 11	8 - 11	20	142
	61 2590 0413	SDC M 1x13+1x13/2	10 - 13	10 - 13	20	142
	61 2590 0416	SDC M 1x16+1x16/2	13 - 16	13 - 16	20	142
	61 2590 0417	SDC M 1x17+1x17/2	14 - 17	14 - 17	20	142
	61 2590 0420	SDC M 1x20+1x20/2	17 - 20	17 - 20	20	142
	61 2590 0607	SDC M 1x7+1x7/3	5 - 7	5 - 7	20	164
	61 2590 0610	SDC M 1x10+1x10/3	7 - 10	7 - 10	20	164
	61 2590 0611	SDC M 1x11+1x11/3	8 - 11	8 - 11	20	164
	61 2590 0613	SDC M 1x13+1x13/3	10 - 13	10 - 13	20	164
	61 2590 0616	SDC M 1x16+1x16/3	13 - 16	13 - 16	20	164
	61 2590 0617	SDC M 1x17+1x17/3	14 - 17	14 - 17	20	164
	61 2590 0620	SDC M 1x20+1x20/3	17 - 20	17 - 20	20	164
<b>Hybrid Saddles</b>						
	61 2590 0024	SDC M 1x13+1x10	10 - 13	7 - 10	20	120
	61 2590 0011	SDC M 1x17+1x7	14 - 17	5 - 7	20	120
	61 2590 0025	SDC M 1x20+1x11	17 - 20	8 - 11	20	120
	61 2590 0026	SDC M 1x13+1x10/2	10 - 13	7 - 10	20	142
	61 2590 0012	SDC M 1x17+1x7/2	14 - 17	5 - 7	20	142
	61 2590 0027	SDC M 1x20+1x11/2	17 - 20	8 - 11	20	142
	61 2590 0028	SDC M 1x13+1x10/3	10 - 13	7 - 10	20	164
	61 2590 0013	SDC M 1x17+1x7/3	14 - 17	5 - 7	20	164
	61 2590 0029	SDC M 1x20+1x11/3	17 - 20	8 - 11	20	164

All combinations are available. Contact the FIMO® sales office

# SDP M

No Tools Cable Clamps

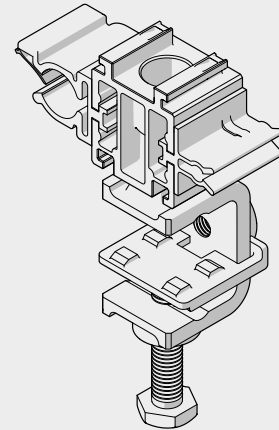


CABLE CLAMPS  
PRODUCT CATALOGUE



## MATERIAL

Plastic Parts	P.A. U.V. Resistant Halogen Free
Colour	Black



### SDP M

No Tools Modular Stackable Double Saddles for Flats, Angular and Round

Composition: **SDS M + MPM** Plastic clamp

### SDPM

*Doubles Garnitures Modulaires Empilables  
Sans Outils pour Plat, Angulaire et Rond*

Composition : **SDS + MPM** Mini-borne en plastique

FIGURE	CODE	ARTICLE	ø D	ø d	BOX	WEIGHT (gr)	
<b>Standard Line</b>							
	61 2593 0207	SDP M 1x7+1x7	5 - 7	5 - 7	20	67	
	61 2593 0210	SDP M 1x10+1x10	7 - 10	7 - 10	20	67	
	61 2593 0211	SDP M 1x11+1x11	8 - 11	8 - 11	20	67	
	61 2593 0213	SDP M 1x13+1x13	10 - 13	10 - 13	20	67	
	61 2593 0216	SDP M 1x16+1x16	13 - 16	13 - 16	20	67	
	61 2593 0217	SDP M 1x17+1x17	14 - 17	14 - 17	20	67	
	61 2593 0220	SDP M 1x20+1x20	17 - 20	17 - 20	20	67	
	61 2593 0407	SDP M 1x7+1x7/2	5 - 7	5 - 7	20	89	
	61 2593 0410	SDP M 1x10+1x10/2	7 - 10	7 - 10	20	89	
	61 2593 0411	SDP M 1x11+1x11/2	8 - 11	8 - 11	20	89	
	61 2593 0413	SDP M 1x13+1x13/2	10 - 13	10 - 13	20	89	
	61 2593 0416	SDP M 1x16+1x16/2	13 - 16	13 - 16	20	89	
	61 2593 0417	SDP M 1x17+1x17/2	14 - 17	14 - 17	20	89	
	61 2593 0420	SDP M 1x20+1x20/2	17 - 20	17 - 20	20	89	
	61 2593 0607	SDP M 1x7+1x7/3	5 - 7	5 - 7	20	110	
	61 2593 0610	SDP M 1x10+1x10/3	7 - 10	7 - 10	20	110	
	61 2593 0611	SDP M 1x11+1x11/3	8 - 11	8 - 11	20	110	
	61 2593 0613	SDP M 1x13+1x13/3	10 - 13	10 - 13	20	110	
	61 2593 0616	SDP M 1x16+1x16/3	13 - 16	13 - 16	20	110	
	61 2593 0617	SDP M 1x17+1x17/3	14 - 17	14 - 17	20	110	
	61 2593 0620	SDP M 1x20+1x20/3	17 - 20	17 - 20	20	110	
	<b>Hybrid Saddles</b>						
	61 2593 0024	SDP M 1x13+1x10	10 - 13	7 - 10	20	67	
	61 2593 0011	SDP M 1x17+1x7	14 - 17	5 - 7	20	67	
61 2593 0025	SDP M 1x20+1x11	17 - 20	8 - 11	20	67		
	61 2593 0026	SDP M 1x13+1x10/2	10 - 13	7 - 10	20	89	
	61 2593 0012	SDP M 1x17+1x7/2	14 - 17	5 - 7	20	89	
	61 2593 0027	SDP M 1x20+1x11/2	17 - 20	8 - 11	20	89	
	61 2593 0028	SDP M 1x13+1x10/3	10 - 13	7 - 10	20	110	
	61 2593 0013	SDP M 1x17+1x7/3	14 - 17	5 - 7	20	110	
61 2593 0029	SDP M 1x20+1x11/3	17 - 20	8 - 11	20	110		

All combinations are available. Contact the FIMO® sales office

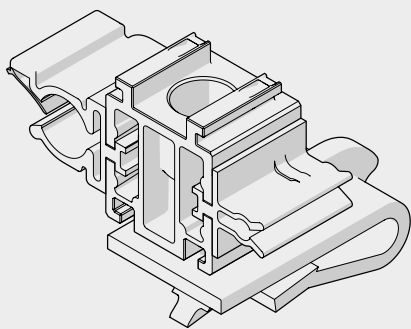
# SDA M

No Tools Cable Clamps



CABLE CLAMPS  
PRODUCT CATALOGUE

MATERIAL	
Plastic Parts	P.A. U.V. Resistant Halogen Free
Colour	Black



**SDA M**  
No Tools Modular Stackable Double Saddles for  
Flats and Angular (thickness 3-6 mm)

Composition: **SDS M+ EMP 3** Snap in  
clamp

**SDA M**  
*Doubles Garnitures Modulaires Empilables  
Sans Outils pour Plat et Angulaire (pour collier  
de serrages jusqu'à 19 mm de large)*

Composition : **SDS + EMP 3** Attache avec  
verrouillage automatique

FIGURE	CODE	ARTICLE	ø D	ø d	BOX	WEIGHT (gr)	
<b>Standard Line</b>							
	61 2591 0207	SDA M 1x7+1x7	5 - 7	5 - 7	20	38	
	61 2591 0210	SDA M 1x10+1x10	7 - 10	7 - 10	20	38	
	61 2591 0211	SDA M 1x11+1x11	8 - 11	8 - 11	20	38	
	61 2591 0213	SDA M 1x13+1x13	10 - 13	10 - 13	20	38	
	61 2591 0216	SDA M 1x16+1x16	13 - 16	13 - 16	20	38	
	61 2591 0217	SDA M 1x17+1x17	14 - 17	14 - 17	20	38	
	61 2591 0220	SDA M 1x20+1x20	17 - 20	17 - 20	20	38	
	61 2591 0407	SDA M 1x7+1x7/2	5 - 7	5 - 7	20	60	
	61 2591 0410	SDA M 1x10+1x10/2	7 - 10	7 - 10	20	60	
	61 2591 0411	SDA M 1x11+1x11/2	8 - 11	8 - 11	20	60	
	61 2591 0413	SDA M 1x13+1x13/2	10 - 13	10 - 13	20	60	
	61 2591 0416	SDA M 1x16+1x16/2	13 - 16	13 - 16	20	60	
	61 2591 0417	SDA M 1x17+1x17/2	14 - 17	14 - 17	20	60	
	61 2591 0420	SDA M 1x20+1x20/2	17 - 20	17 - 20	20	60	
	61 2591 0607	SDA M 1x7+1x7/3	5 - 7	5 - 7	20	82	
	61 2591 0610	SDA M 1x10+1x10/3	7 - 10	7 - 10	20	82	
	61 2591 0611	SDA M 1x11+1x11/3	8 - 11	8 - 11	20	82	
	61 2591 0613	SDA M 1x13+1x13/3	10 - 13	10 - 13	20	82	
	61 2591 0616	SDA M 1x16+1x16/3	13 - 16	13 - 16	20	82	
	61 2591 0617	SDA M 1x17+1x17/3	14 - 17	14 - 17	20	82	
	61 2591 0620	SDA M 1x20+1x20/3	17 - 20	17 - 20	20	82	
	<b>Hybrid Saddles</b>						
		61 2591 0007	SDA M 1x13+1x10	10 - 13	7 - 10	20	38
		61 2591 0001	SDA M 1x17+1x7	14 - 17	5 - 7	20	38
61 2591 0008		SDA M 1x20+1x11	17 - 20	8 - 11	20	38	
	61 2591 0009	SDA M 1x13+1x10/2	10 - 13	7 - 10	20	60	
	61 2591 0002	SDA M 1x17+1x7/2	14 - 17	5 - 7	20	60	
	61 2591 0010	SDA M 1x20+1x11/2	17 - 20	8 - 11	20	60	
	61 2591 0011	SDA M 1x13+1x10/3	10 - 13	7 - 10	20	82	
	61 2591 0003	SDA M 1x17+1x7/3	14 - 17	5 - 7	20	82	
	61 2591 0012	SDA M 1x20+1x11/3	17 - 20	8 - 11	20	82	

All combinations are available. Contact the FIMO® sales office

# SDU M

No Tools Cable Clamps

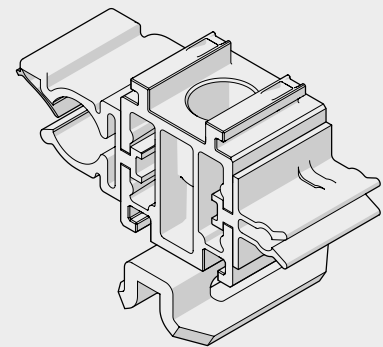


CABLE CLAMPS  
PRODUCT CATALOGUE



## MATERIAL

Plastic Parts	P.A. U.V. Resistant Halogen Free
Colour	Black



### SDU M

No Tools Modular Stackable Double Saddles for Various Structures like Poles and Pylons

Composition: **SDS M + BAP 8M** Plastic socle for hose clamp up to 19 mm wide

### SDU M

Doubles Garnitures Modulaires Empilables Sans Outils pour Diverses Structures Telles que les Poteaux et Les Pylônes

Composition : **SDS + BAP 8M** Socle en plastique

FIGURE	CODE	ARTICLE	ø D	ø d	BOX	WEIGHT (gr)	
<b>Standard Line</b>							
	61 2592 0207	SDU M 1x7+1x7	5 - 7	5 - 7	20	26	
	61 2592 0210	SDU M 1x10+1x10	7 - 10	7 - 10	20	26	
	61 2592 0211	SDU M 1x11+1x11	8 - 11	8 - 11	20	26	
	61 2592 0213	SDU M 1x13+1x13	10 - 13	10 - 13	20	26	
	61 2592 0216	SDU M 1x16+1x16	13 - 16	13 - 16	20	26	
	61 2592 0217	SDU M 1x17+1x17	14 - 17	14 - 17	20	26	
	61 2592 0220	SDU M 1x20+1x20	17 - 20	17 - 20	20	26	
	61 2592 0407	SDU M 1x7+1x7/2	5 - 7	5 - 7	20	48	
	61 2592 0410	SDU M 1x10+1x10/2	7 - 10	7 - 10	20	48	
	61 2592 0411	SDU M 1x11+1x11/2	8 - 11	8 - 11	20	48	
	61 2592 0413	SDU M 1x13+1x13/2	10 - 13	10 - 13	20	48	
	61 2592 0416	SDU M 1x16+1x16/2	13 - 16	13 - 16	20	48	
	61 2592 0417	SDU M 1x17+1x17/2	14 - 17	14 - 17	20	48	
	61 2592 0420	SDU M 1x20+1x20/2	17 - 20	17 - 20	20	48	
		61 2592 0607	SDU M 1x7+1x7/3	5 - 7	5 - 7	20	70
		61 2592 0610	SDU M 1x10+1x10/3	7 - 10	7 - 10	20	70
		61 2592 0611	SDU M 1x11+1x11/3	8 - 11	8 - 11	20	70
		61 2592 0613	SDU M 1x13+1x13/3	10 - 13	10 - 13	20	70
61 2592 0616		SDU M 1x16+1x16/3	13 - 16	13 - 16	20	70	
61 2592 0617		SDU M 1x17+1x17/3	14 - 17	14 - 17	20	70	
	61 2592 0620	SDU M 1x20+1x20/3	17 - 20	17 - 20	20	70	
	<b>Hybrid Saddles</b>						
		61 2592 0002	SDU M 1x13+1x10	10 - 13	7 - 10	20	26
		61 2592 0001	SDU M 1x17+1x7	14 - 17	5 - 7	20	26
		61 2592 0003	SDU M 1x20+1x11	17 - 20	8 - 11	20	26
		61 2592 0004	SDU M 1x13+1x10/2	10 - 13	7 - 10	20	48
61 2592 0005		SDU M 1x17+1x7/2	14 - 17	5 - 7	20	48	
61 2592 0006		SDU M 1x20+1x11/2	17 - 20	8 - 11	20	48	
	61 2592 0007	SDU M 1x13+1x10/3	10 - 13	7 - 10	20	70	
	61 2592 0008	SDU M 1x16+1x10/3	14 - 17	5 - 7	20	70	
	61 2592 0009	SDU M 1x20+1x11/3	17 - 20	8 - 11	20	70	

All combinations are available. Contact the FIMO® sales office

# EMP 3 · BAP 8M

## No Tools Cable Clamps

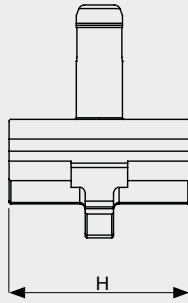
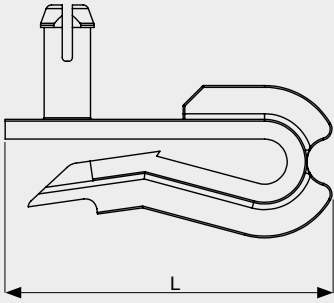
CABLE CLAMPS  
PRODUCT CATALOGUE

**EMP 3**  
Snap in clamp for SDS saddles

**EMP 3**  
Pince de fixation rapide pour selles SDS

### MATERIAL

Plastic Parts	P.A. U.V. Resistant Halogen Free
Colour	Black



CODE	ARTICLE	L	H	BOX	WEIGHT (gr)
61 3209 0030	EMP 3	58	32	20	16

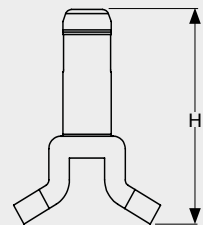
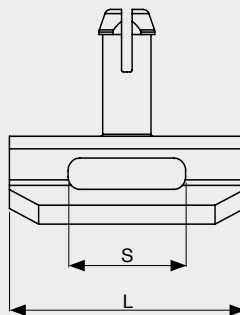


### MATERIAL

Plastic Parts	P.A. U.V. Resistant Halogen Free
Colour	Black

**BAP 8M**  
Plastic socle for SDS saddles

**BAP 8M**  
Plaque à bornes de plastique pour selles SDS



CODE	ARTICLE	L	S	H	BOX	WEIGHT (gr)
61 3209 0801	BAP 8M	40	20	34	20	6



**UX**  
Single Clamps for Power Cables and Pipes

**Versions:**  
**UXC** for flat round and angular

**Components:**

1. **SOX** fiberglass P.A., U.V. resistant saddle
2. Threaded Bar - **BFI M8**
3. **RPI 10/20** flat Washers
4. **DAI 8** Hexagon nuts
5. **RPI 8** Washers

**Use:**  
Fixing 1 to 3 power cables and pipes.

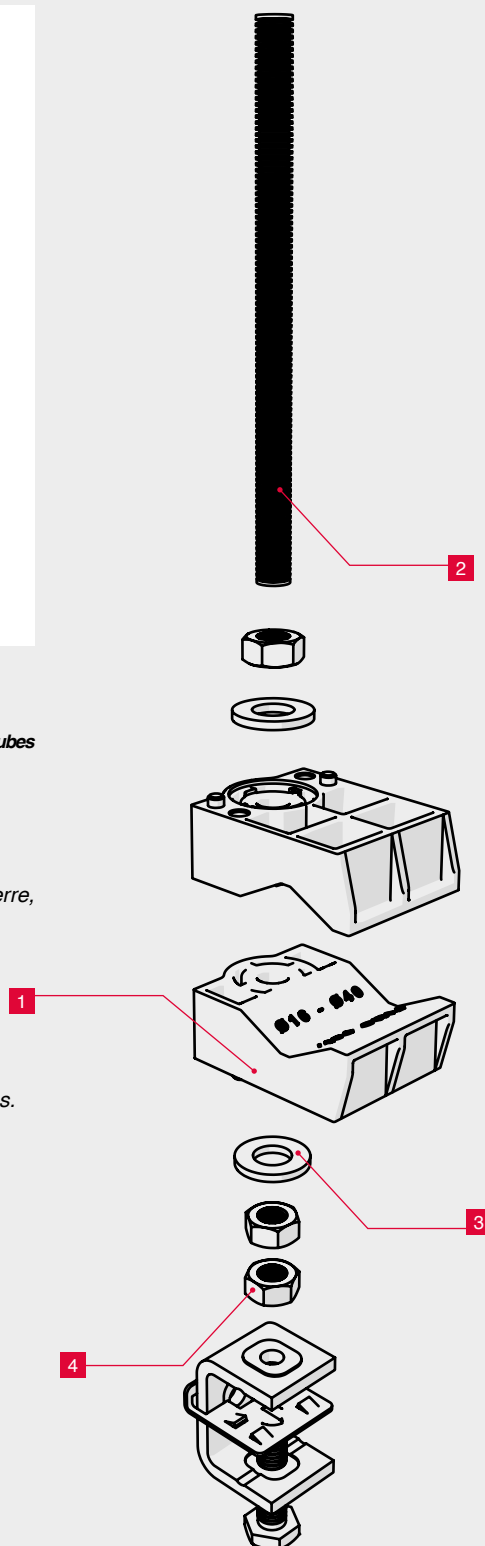
**UX**  
*Fixation Singuliers pour Câbles Électriques et Tubes*

**Versions:**  
*UXC pour plat, rond et cornière*

**Composition:**

1. **SOX** - Garniture P.A. en fibre de verre, résistante aux U.V.
2. Tige filetée - **BFI M8**
3. Rondelles planes **RPI 10/20**
4. Écrous hexagonaux **DAI 8**
5. Rondelles Plane **RPI**

**Emploi:**  
*Fixation 1 - 3 câbles électriques et tubes.*



# SOX

## Saddles

### SOX - "V" Profiled Saddles for BFI 8 Threaded Bars

The **SOX** saddles of UX clamps, have a large "V" profile, that allows the fastening of a wide range of cables and pipes.

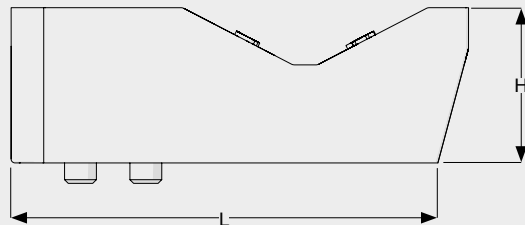
### SOX - Garnitures avec Profilé en "V" pour Tiges Filetées BFI 8

Les garnitures **SOX**, des fixation de la série UX, présentent un profilé en "V" large. Ceci permet l'adaptation à de grandes excursions de diamètre pour la fixation de câbles et de tubes.



#### MATERIAL

Saddles	Fiberglass, P.A., U.V. Resistant Halogen Free
Colour	Black

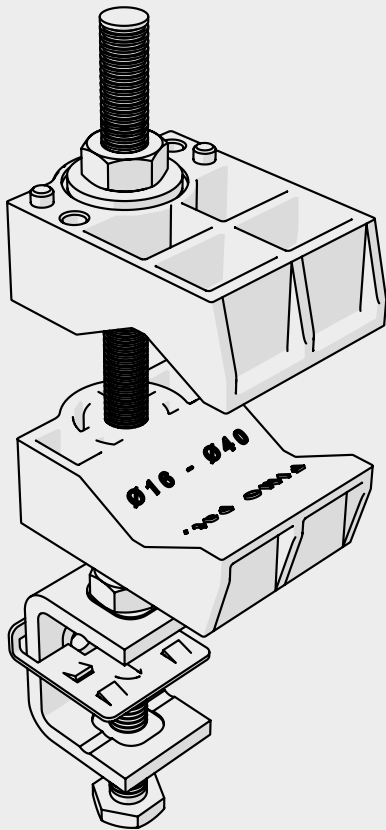


CODE	ARTICLE	ø CABLES	L	H	BOX	WEIGHT (gr)
61 3304 1030	SOX 30	8 - 30	56	19	100	23
61 3304 1040	SOX 40	16 - 40	56	19	100	21



**MATERIAL**

<b>Metal Parts</b>	AISI 304 Stainless Steel,
<b>Saddle</b>	Fiberglass, P.A. U.V. Resistant Halogen Free
<b>Colour</b>	Black (Grey on Request)



**UXC - Clamps for Power Cables and Pipes**

UXC cable clamps are equipped with SOX "V" profile saddles. A single clamp is suitable for various cables and pipes, with a large diameters range.

**Composition:**

SOX saddles + M8 threaded bars + nuts + washers + MIM 8 mini clamps

**UXC - Fixation pour Conducteurs Électriques et Tubes**

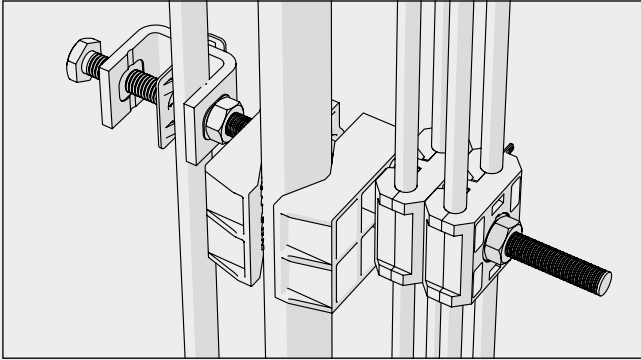
Les fixation de la série UXC sont équipés de garnitures SOX avec profilé interne en "V". Ceci permet de fixer plusieurs câbles et tubes, avec une ample excursion de diamètres, à l'aide d'un seul fixation.

**Composition:**

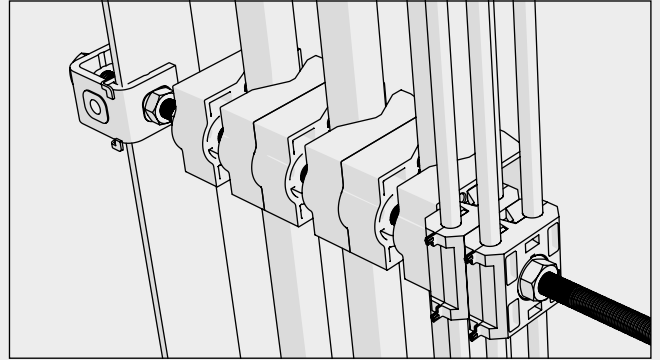
Garniture SOX + broche à trou fileté M8 + écrous + mini attache MIM 8

FIGURE	CODE	ARTICLE	Ø CABLES	L	h	BOX	WEIGHT (gr)
	60 1572 0140	UXC/ 1X40	16 - 40	56	125	20	194
	60 1572 0240	UXC/ 2X40	16 - 40	56	200	20	261
	60 1572 0340	UXC/ 3X40	16 - 40	56	250	20	317

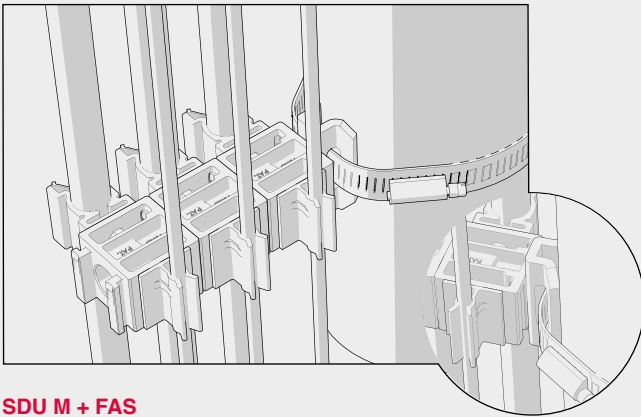
# INSTALLATION EXAMPLES



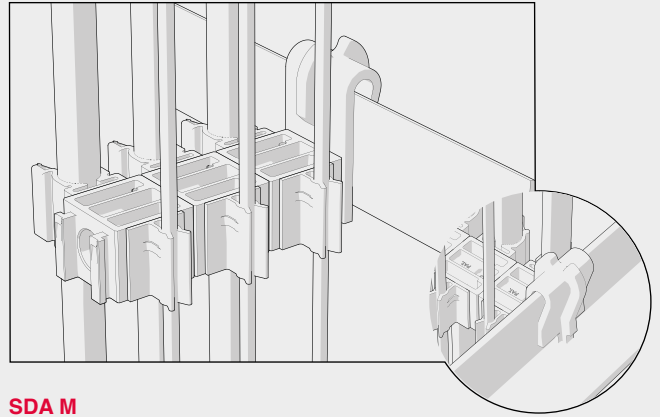
**UXC**  
On Round



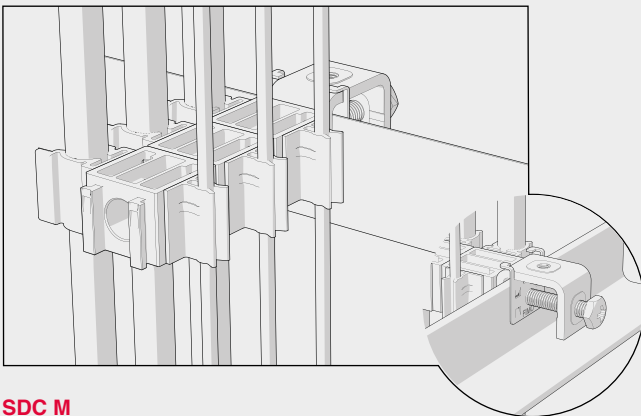
**UXC**  
On Flat



**SDU M + FAS**  
On Pole



**SDA M**  
On Angular

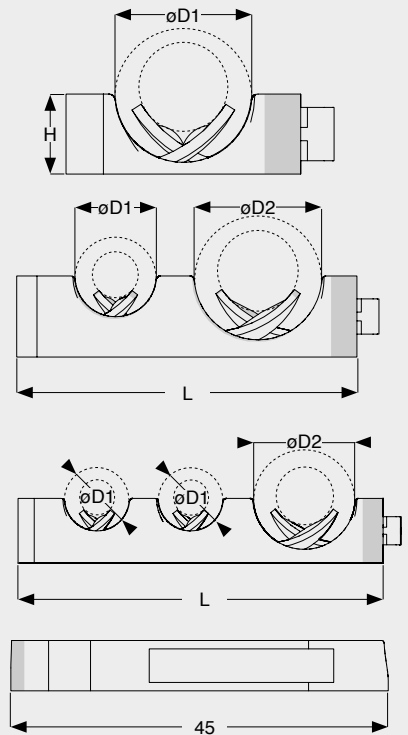


**SDC M**  
On Angular



**MATERIAL**

<b>Saddle</b>	P.A. U.V. Resistant Halogen Free
<b>Colour</b>	Black





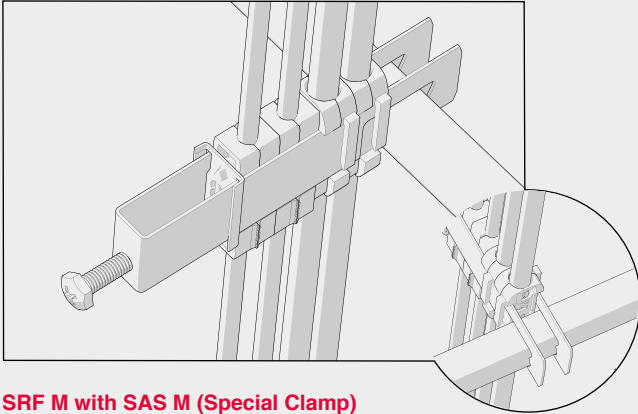
**SAS M - Single Saddles for a Wide Range of Diameters**  
**SAT M - Double Saddles for a Wide Range of Diameters**

The **SAS M** and **SAT M** saddles are supplied with the OX cable clamps and are used for small diameter cables. The innovative design of the saddles allows the fixing of cables the a wide range of diameters. The two saddles fitting corresponds to the diameter of a wide range of cables.

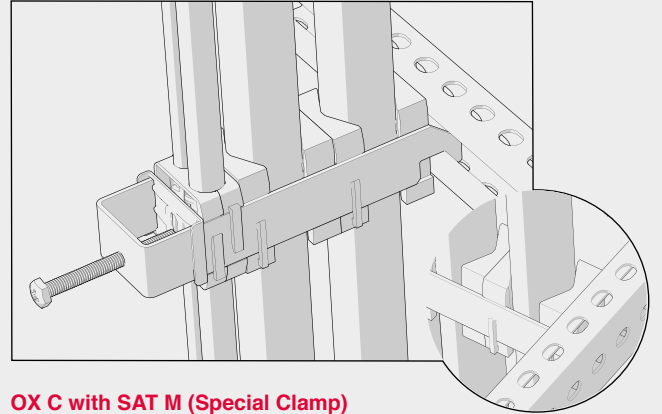
**SAS M - Selles Uniques pour une Large Gamme de Diamètres**  
**SAT M - Selles Doubles pour une Large Gamme de Diamètres**

*Les selles SAS M et SAT M sont fournies avec des serre-câbles OX et sont utilisées pour des câbles de petit diamètre. Le design innovant des selles permet la fixation de câbles avec une large gamme de diamètres. La fermeture de deux selles assorties s'adapte au diamètre d'une large gamme de câbles.*

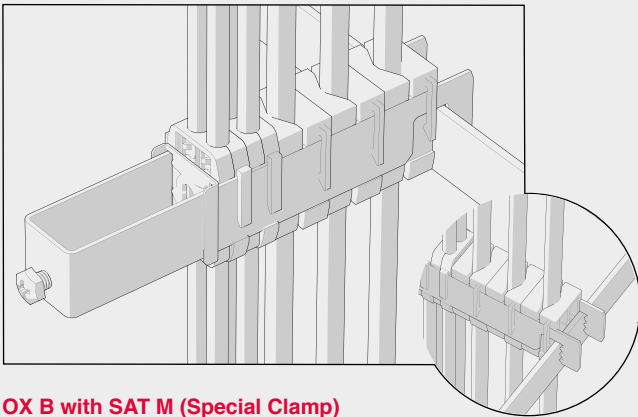
FIGURE	CODE	ARTICLE	ø D1	ø D2	L	H	BAG	BOX	WEIGHT (gr)
 <b>SAS M</b>	61 3312 0007	<b>SAS M 7</b>	4 - 7	-	12	6	20	100	5,2
	61 3312 0010	<b>SAS M 10</b>	7 - 10	-	12	6	20	100	3,6
 <b>SAT M</b>	61 3307 0407	<b>SAT M 7x2</b>	4 - 7	-	22	6	20	100	7,4
	61 3307 0409	<b>SAT M 9x2</b>	6 - 9	-	22	6	20	100	6,4
	61 3312 0212	<b>SAT M 12x2</b>	8 - 12	-	34	9	20	100	6,1
	61 3312 0214	<b>SAT M 14x2</b>	9 - 14	-	34	9	20	100	11
	61 3312 0914	<b>SAT M 1x14+1x9</b>	6 - 9	9 - 14	34	9	20	100	12
	61 3312 2714	<b>SAT M 1x14+2x7</b>	4 - 7	9 - 14	34	9	20	100	12
	61 3312 0310	<b>SAT M 10x3</b>	7 - 10	-	46	7	20	100	8



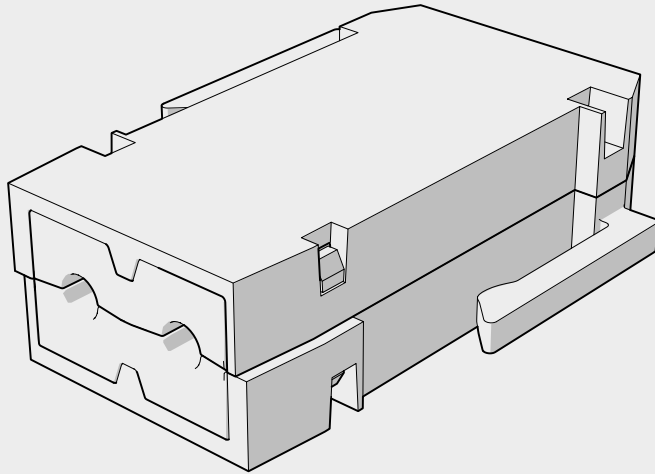
**SRF M with SAS M (Special Clamp)**  
**On Round**



**OX C with SAT M (Special Clamp)**  
**On PCI**



**OX B with SAT M (Special Clamp)**  
**On Flat**



**MATERIAL**

<b>Saddle</b>	Fiberglass P.A. U.V. Resistant Halogen Free TPE
<b>Colour</b>	Black

**SAT H – Double saddles with embedded thermoplastic elastomeric cushion**

The SAT H double saddles are supplied with OX cable clamps and are recommended for FO cables.

The saddles are realized combining an outer plastic body with an inner thermoplastic elastomeric cushion, which protects the outer jacket of the cables.

The innovative design of the thermoplastic elastomeric cushions allows a secure fixing of cables with a wide range of diameters.

**SAT H - Doubles selles avec joint intérieur en élastomère thermoplastique**

Les doubles selles SAT H sont fournies avec les brides de câbles OX et sont recommandées pour les câbles FO.

Les selles sont réalisées en combinant un corps extérieur en plastique et un joint intérieur en élastomère thermoplastique, qui protège la gaine extérieure des câbles.

Le design innovant du joint en élastomère thermoplastique permet la fixation sûre des câbles avec une large gamme de diamètres.

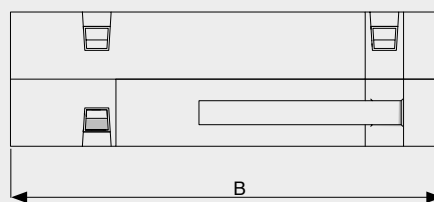
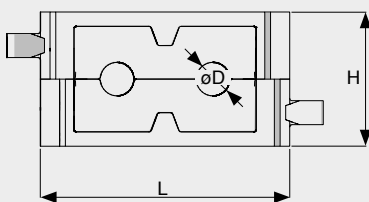
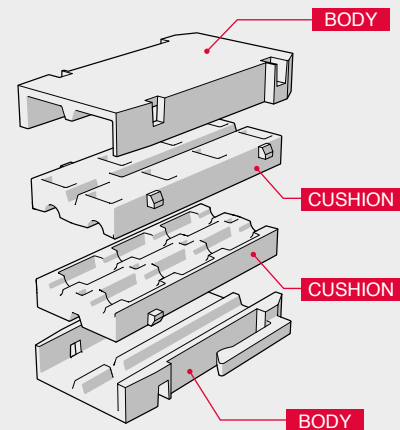
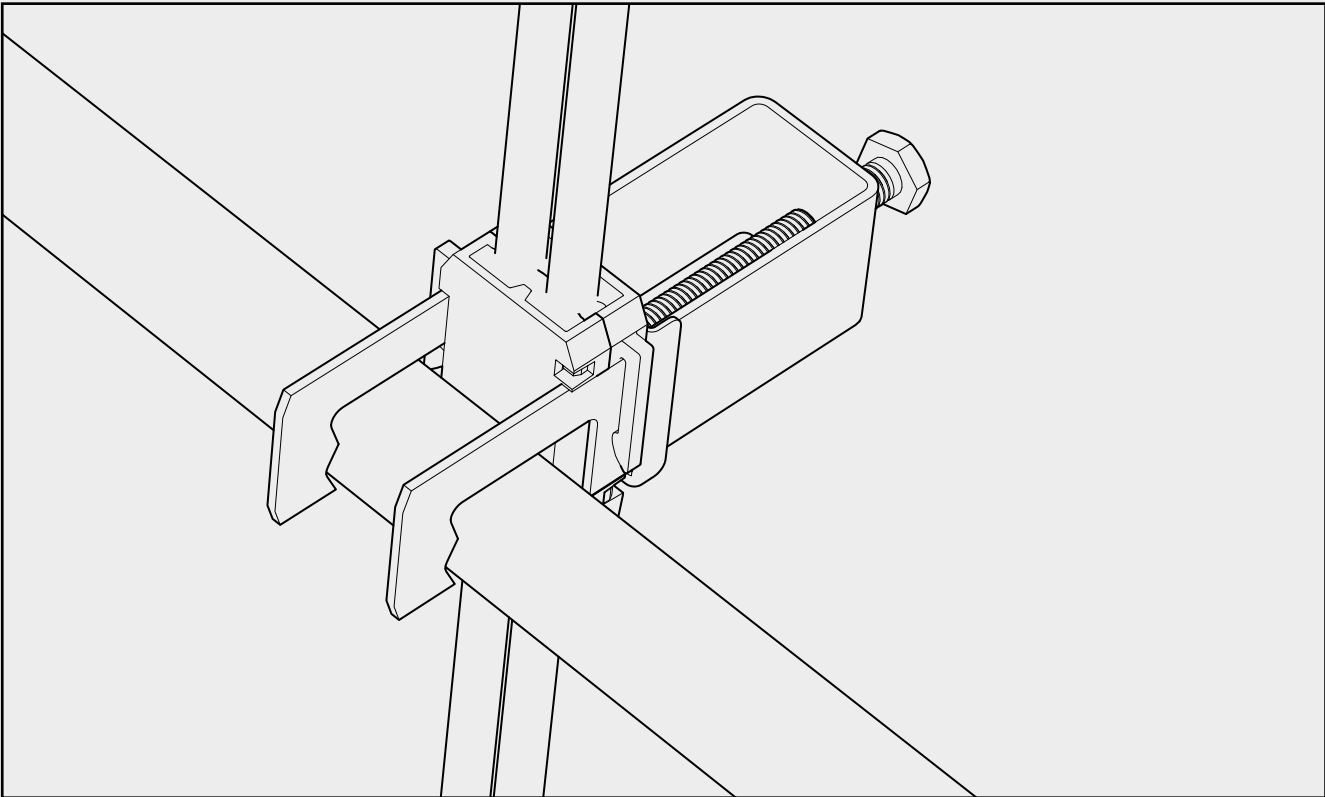
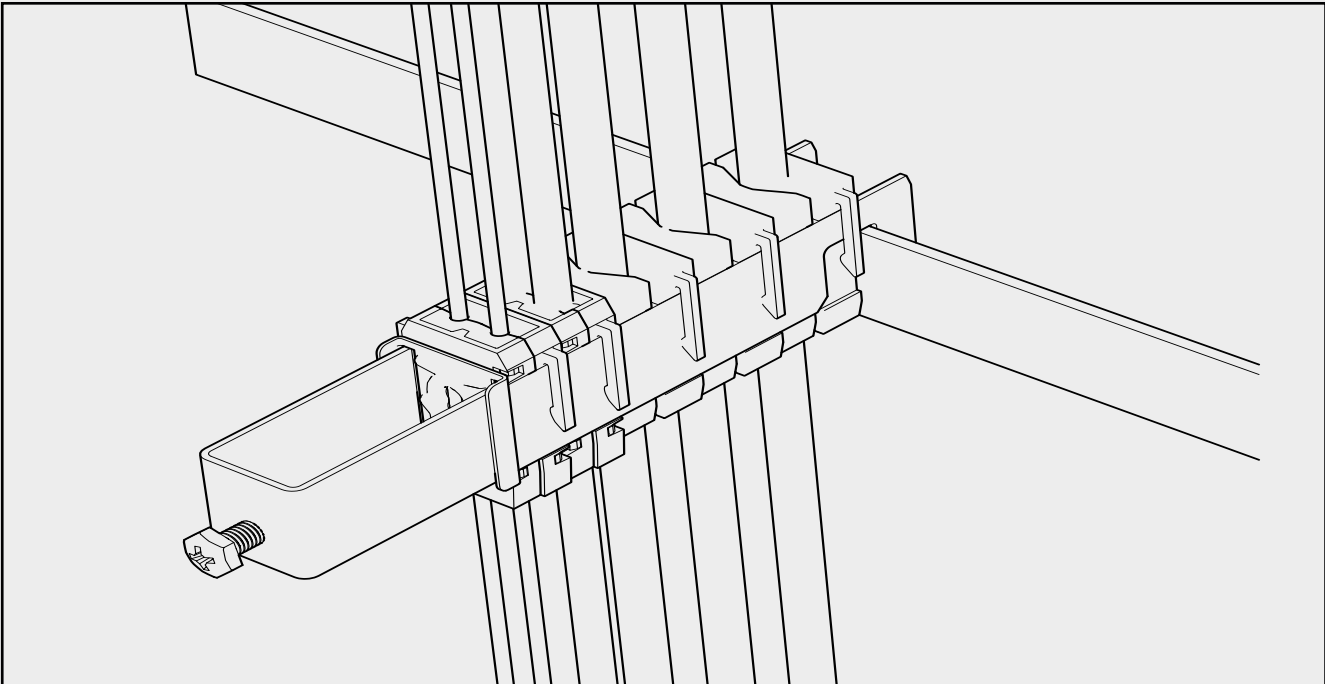


FIGURE	CODE	ARTICLE	ø D	H	L	B	BAG	BOX	WEIGHT (gr)
	61 3307 3247	SAT H 2x7	4 - 7	14	22	45	20	500	6
	61 3307 3279	SAT H 2x9	7 - 9	14	22	45	20	500	5
	61 3307 3347	SAT H 3x7	4 - 7	14	34	45	20	500	9
	61 3307 3379	SAT H 3x9	4 - 7	14	34	45	20	500	8



# SPECIAL CLAMP EXAMPLES

CABLE CLAMPS  
PRODUCT CATALOGUE

## Combined Solutions for LTE · RRU

### Special Clamps

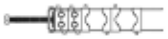







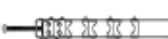





Combined solutions for Power Cable + Fiber Optic.




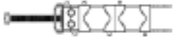









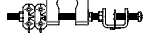


Complete list of products available on website  
[www.fimoworld.com](http://www.fimoworld.com)

### Fixation Spéciaux Combinés

Solutions spéciales combinées de câbles d'énergie et de fibres optiques.

Liste complète des produits disponibles sur le site  
[www.fimoworld.com](http://www.fimoworld.com)

PICTURE	CODE	ARTICLE	For DC	For FO	BOX	WEIGHT (gr)
<b>MCC</b> Mini Cable Clamps for Round 8-25 and Flat 3-25 ● -						
	6115703117	MCC 1X11+1X7/3	3x9-11	3x5-7	20	157
	6115700026	MCC 4X14+SAC 2X9	4x11-14	2x7-9	20	187
	6115706714	MCC 1X14+2X7/3	3x11-14	6x5-7	20	210
<b>MMC</b> Mini Cable Clamps for Round 8-25 and Flat 3-25 ● -						
	6115852427	MMC 1X14+2X7/2	2x9-14	4x4-7	20	143
	6115853814	MMC 1X14+1X8/3	3x9-14	3x5-8	20	163
	6115858814	MMC 1X14+1X8/8	8x9-14	8x5-8	20	256
<b>OX A4</b> Cable Clamps for Angular 40x40 ◀						
	6015110046	OX A4/2X22+SAC 2X5	2x12-22	2x4-5	50	132
	6015110021	OX A4/1X22+SAC 2X5M	1x16-22	2x4.5-5.5	50	100
	6015110023	OX A4/3X22+SAC 2X5M	3x12-22	2x4.5-5.5	50	180
<b>OX B</b> Cable Clamps for Round and Flat 3-12 ● -						
	6015130014	OX B/1X22+SAC 1X8+1X6/2	1x12-22	2x7-8+2x5-6	50	122
	6015130002	OX B/2X22+SAC 2X6	2x12-22	2x5-6	50	120
	6015130003	OX B/3X22+SAC 2X6/2	3x12-20	4x5-6	50	175
<b>OX C</b> Cable Clamps for PCI 40x22 Seciton ◀						
	6015140013	OX C/1X34+SAC 1X7+1X9	1x18-34	1x7-9+1x5-7	50	162
	6015140022	OX C/SAC 1X9+1X7	-	1x5-7+1x7-9	50	100

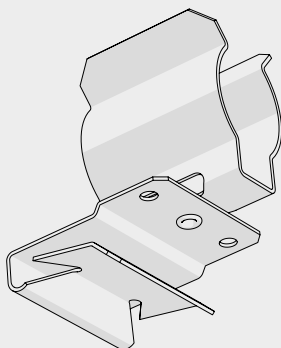
PICTURE	CODE	ARTICLE	For DC	For FO	BOX	WEIGHT (gr)
	6015140013	OX C/1X34+SAC1X7+1X9	1x18-34	1x5-7+1x7-9	50	162
<b>OX E</b> Cable Clamps for PCI 40x22 Section, Round and Flat 3-12 						
	6015180047	OX E/3X12+ DAS 5/3	3x6-12	3x4-5	50	110
	6015180013	OX E/2X22+SAT2X6	2x12-22	2x5-6	50	132
	6015180087	OX E/3X22+SAT2X6/2	3x12-22	4x5-6	50	180
<b>OX M</b> Cable Clamps for Round 8-25 and Flat 3-25 						
	6015160050	OX M/2X22+SAT 2X8/2	2x13-22	4x7-8	50	145
	6015160130	OXM 6X46/22+SET46/7	6x11-20	6x7±0.3	50	268
	6015160024	OX M/3X22+SAT 1X8+1X10M	3x18-23	1x8-9+1x9,5+10,5	50	186
	6015160026	OX M/1X22+SAT 2X5M	1x16-22	2x4.5-5.5	50	90
	6015160027	OX M/2X22+SAT 2X5M	2x16-22	2x4.5-5.5	50	128
<b>UXC</b> Mini Cable Clamps for Round 8-25 and Flat 3-25 						
	6015720001	UXC/ 1X40+SAC2X7/2	1x16-40	4x5-7	20	234
	6015720034.01	UXC/ 1x30+SAC 2x6.5/2	1x8-30	4x4.5-6.5	20	230
	6015720035.01	UXC/ 2x30+SAC 2x6.5/2	2x8-30	4x4.5-6.5	20	287
	6015720036.01	UXC/ 3x30+SAC 2x6.5/2	3x8-30	4x4.5-6.5	20	360

### Snap-in Hangers for Electrical Cables and Pipes

The **EMC** snap-in hangers consist of an elastic stainless steel clip connected, by central rivet, with a hanging and supporting adapter/soacle. The hanger is 360° revolving.

It can be fixed onto various structures, such as angular, flats, tubes and "C" sections. Four hanger sizes only allow 9 to 52 mm diameter cables hanging.

By means of an usual hose-clamps the **EMC-U** version can be applied to structures of any kind of form and dimension.



### Fixations Rapides pour Câbles Électriques et Tubes

Les fixations rapides **EMC** sont constitués d'un clip élastique en acier inoxydable appliqué à l'aide d'un rivet central, à un adaptateur/base d'accrochage. Ainsi, le fixation est orientable à 360°. Il peut s'appliquer à diverses structures telles que cornières, plats, ronds et profilés à "C". Le montage est rapide et ne nécessite pas d'outils. Quatre mesures différentes permettent de fixer des câbles et des tubes d'un diamètre pouvant varier entre 9 mm et 52 mm.

La version **EMC-U**, couplée à des bandes serre-tubes commerciales permet l'application sur des structures de tout genre et de toute dimension.

#### EMC-A

Snap-in hangers, suitable for 3 to 8 mm thick flat or angular structures.

360° revolving.

Quick and safe installation, with no tools



#### EMC-A

Fixations rapides, prédisposés pour l'accrochage à des profilés plats et cornières, de 3 à 8 mm d'épaisseur.

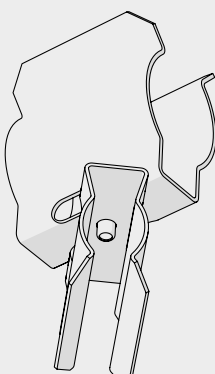
Orientables à 360°.

Installation rapide et en sûreté sans besoin d'outils.

#### EMC-C

Snap-in hangers bayonet hooking on **PCI B 40x22** sections (EMC-C). The hanger is 360° revolving.

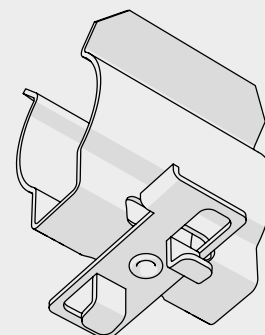
Quick and safe installation by self-locking rotation into the "C" section, with no tools.



#### EMC-C

Fixations rapides, prédisposés pour l'accrochage à baïonnette, sur des profilés **PCI B 40x22** (EMC-C). Ils sont orientables à 360°.

L'installation sur le profilé est rapide et sûre via rotation autobloquante, sans besoin d'outils.



#### EMC-M

Snap-in hangers suitable for Ø 16÷22 mm rounds.

360° revolving.

Quick and safe installation with no tools.

#### EMC-M

Fixations rapides pour accrochage à rond Ø 16÷22 mm.

Orientables à 360°.

Installation rapide et en sûreté sans besoin d'outils.

#### EMC-U

Snap-in hangers to be fixed on various structures by means of the **FAS, FAU** stainless steel hose clamps or **BIT 19** strip.

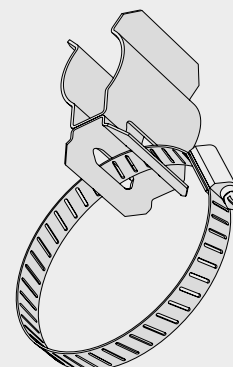
360° revolving.

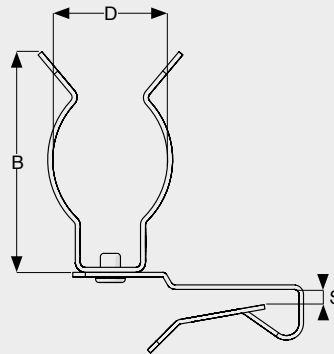
Quick and safe installation with no tools.

#### EMC-U

Fixations rapides pour la fixation au moyen de bandes d'acier **FAS, FAU** ou ruban inox **BIT19** à diverses structures. Orientables à 360°.

Installation rapide et en sûreté sans besoin d'outils.





**EMC - A Snap-in Hangers**  
For Electrical Cables and Pipes

**Use:** Hooking on flat and angular

**EMC-A Fixations Rapides**  
Pour Câbles Électriques et Tubes

**Emploi:** Accrochage sur plats et cornières

**MATERIAL**

AISI 301 Stainless Steel

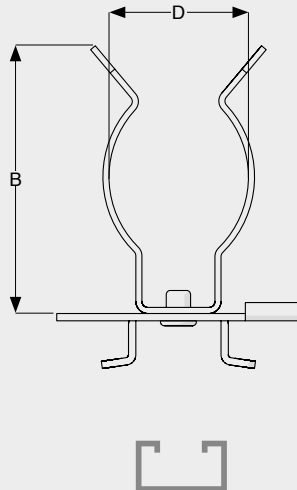
CODE	ARTICLE	FOR CABLES	N° CABLES	B	Ø D	FOR SECTIONS	BAG	BOX	WEIGHT (gr)
61 1595 1007	EMC-A 7	5 - 7 mm	1	41	5 ÷ 7		20	100	45
61 1595 1013	EMC-A 13	1/4" - 1/2"S	1	41	9 ÷ 13		20	100	45
61 1595 1020	EMC-A 20	1/2" - 3/8"	1	47	15 ÷ 20		20	100	45
61 1595 1030	EMC-A 30	7/8"S - 7/8" - 7/8"M	1	60	27 ÷ 30		20	100	60
61 1595 1152	EMC-A 52	1.1/4" - 1.5/8"	1	85	39 ÷ 52		20	100	90

**EMC - C Snap-in Hangers**  
For Electrical Cables and Pipes

**Use:** Hooking on PCI 40x22 sections

**EMC - C Fixations Rapides**  
Pour Câbles Électriques et Tubes

**Emploi:** Accrochage sur profilé PCI 40x22



**MATERIAL**

AISI 301 Stainless Steel

CODE	ARTICLE	FOR CABLES	N° CABLES	B	Ø D	FOR SECTIONS	BAG	BOX	WEIGHT (gr)
61 1595 3007	EMC-C 7	5 - 7 mm	1	33	5 ÷ 7		20	100	20
61 1595 3013	EMC-C 13	1/4" - 1/2"S	1	33	9 ÷ 13		20	100	20
61 1595 3020	EMC-C 20	1/2" - 3/8"	1	40	15 ÷ 20		20	100	20
61 1595 3030	EMC-C 30	7/8"S - 7/8" - 7/8"M	1	52	27 ÷ 30		20	100	40
61 1595 3152	EMC-C 52	1.1/4" - 1.5/8"	1	78	39 ÷ 52		PCI 40x22	20	100

**EMC - M Snap-in Hangers**  
For Electrical Cables and Pipes

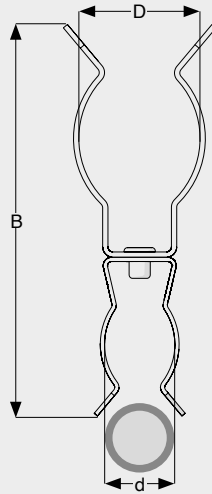
**Use:** Hooking on Ø 16÷22 rond

**EMC-M Fixations Rapides**  
Pour Câbles Électriques et Tubes

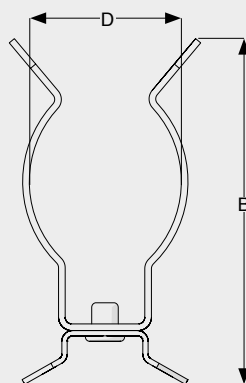
**Emploi:** Accrochage à rond Ø 16÷22

**MATERIAL**

AISI 301 Stainless Steel



CODE	ARTICLE	FOR CABLES	N° CABLES	B	Ø D	FOR ROUNDS (Ød)	BAG	BOX	WEIGHT (gr)
61 1595 2007	EMC-M 7	5 - 7 mm	1	55	5 ÷ 7		20	100	36
61 1595 2013	EMC-M 13	1/4" - 1/2"S	1	55	9 ÷ 13		20	100	36
61 1595 2020	EMC-M 20	1/2" - 3/8"	1	60	15 ÷ 20		20	100	36
61 1595 2030	EMC-M 30	7/8"S - 7/8" - 7/8"M	1	74	27 ÷ 30		20	100	63
61 1595 2152	EMC-M 52	1.1/4" - 1.5/8"	1	100	39 ÷ 52		20	100	144



**EMC - U Snap-in Hangers**  
For Electrical Cables and Pipes

**Use:** Universal hooking with hose clamps

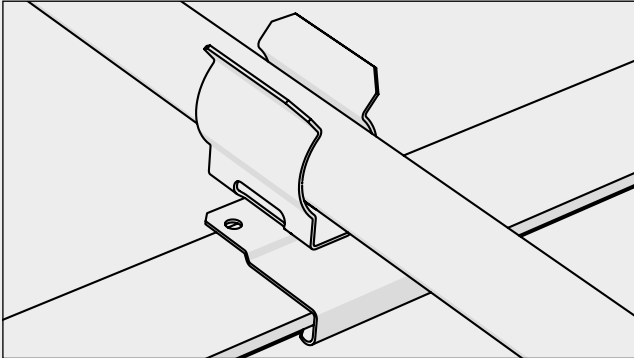
**EMC-U Fixations Rapides**  
Pour Câbles Électriques et Tubes

**Emploi:** Accrochage universel au moyen de bandes serre-tubes

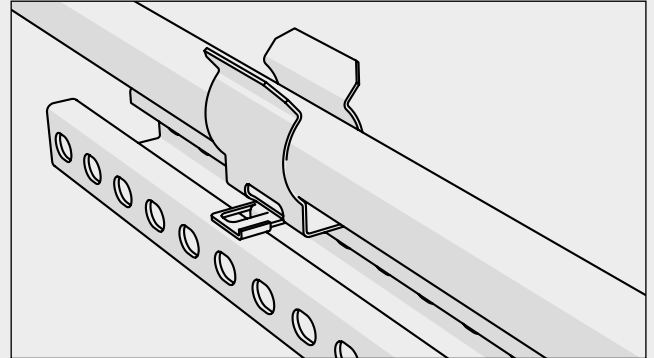
**MATERIAL**

AISI 301 Stainless Steel

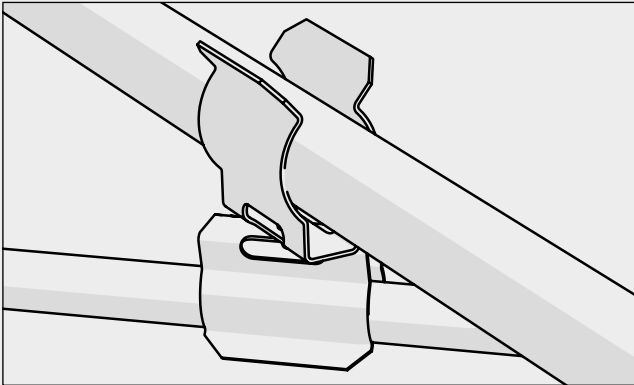
CODE	ARTICLE	FOR CABLES	N° CABLES	B	Ø D	ON SUPPORTS (WITH HOSE CLAMPS)	BAG	BOX	WEIGHT (gr)
61 1595 4007	EMC-U 7	5 - 7 mm	1	32	5 ÷ 7		20	100	25
61 1595 4013	EMC-U 13	1/4" - 1/2"S	1	32	9 ÷ 13		20	100	25
61 1595 4020	EMC-U 20	1/2" - 3/8"	1	37	15 ÷ 20		20	100	25
61 1595 4030	EMC-U 30	7/8"S - 7/8" - 7/8"M	1	50	27 ÷ 30		20	100	38
61 1595 4152	EMC-U 52	1.1/4" - 1.5/8"	1	75	39 ÷ 52		20	100	78



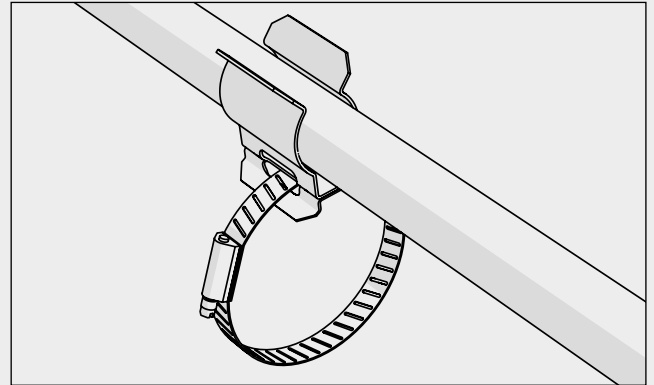
**EMC-A**  
On Flat



**EMC-C**  
On PCI 40x22 Section



**EMC-M**  
On Round



**EMC-U**  
Universal Application with Hose Clamp

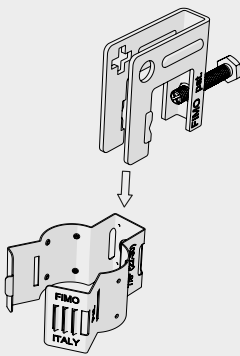
# SCC · MRM 6

## Click Collars and Clamps

CABLE CLAMPS  
PRODUCT CATALOGUE



1



### SCC - Click Collars MRM 6 - Fastening Clamps

The **SCC round collar** has been especially designed for quick installation of HF and DC cables as well as for pipes, using high flexible stainless steel.

The cables will be secured by a manually easy to reopen grid system.

The base has been formed giving optimal and stable support for various surfaces as well as for direct combination with the **FIMO MRM 6 special stainless steel clamp**.

This will ensure easy mountings of **SCC round collar** on round, flat and rectangular steel profiles.

Furthermore the **SCC round collar** can be installed using standard fastening devices on walls and profiles.

Two lateral slots along the lower base will allow the use of steel straps for mounting on masts with any diameter.

The progressive ratcheting of the locking system will easily allow for all clamp sizes the adjustment for different cable & tube diameters.

The locking is in any case easy, secure and long-living.

### Technical Features of SCC round collar and MRM 6 clamp

**SCC:** Monoblock body made of flexible stainless steel, ratchet-tightening and opening by hand, without tool. Mounting via standard screws, plugs, steel straps and special **FIMO MRM 6** clamp.

**MRM 6:** Monobloc body with M6 tightening screw. Additional M8 screw available for other applications.

### SCC - Colliers à Clic MRM 6 - Attaches d'Ancre

La forme principale du **collier SCC** est **circulaire** et ouverte à son sommet, afin de retenir les câbles électriques et coaxiaux, mais également les tubes. Constitué de ruban en acier inoxydable flexible, il présente, dans la partie supérieure, un dispositif à crémaillère, facile à ouvrir et fermer à la main. La base du collier est configurée pour bien reposer sur des supports tels que parois, pylônes, profilés. La fixation est possible grâce à des éléments classiques tels que vis, chevilles, et accessoires similaires.

L'**attache spéciale en acier inoxydable MRM 6**, s'encastre parfaitement dans la base du **collier SCC**, et forme un système de fixation des structures, tels que cornières, plats, tubes, etc.

Deux fentes, qui se trouvent à la base du collier SCC, permettent également la fixation aux poteaux de diamètre élevé, avec des bandes métalliques couramment utilisées pour les travaux d'installation.

Dans toute situation, le collier SCC peut être facilement ouvert pour y introduire le câble ou le tube à fixer. On le referme ensuite sur simple pression de ses bords supérieurs.

La fermeture à déclic est progressive; elle peut être réglée manuellement en fonction du diamètre de l'objet à retenir.

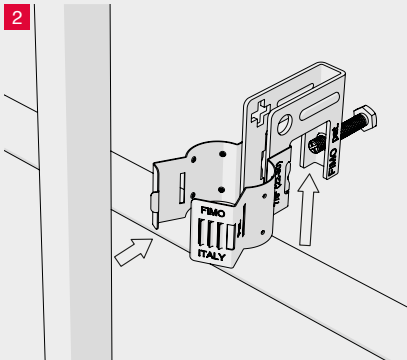
La fermeture est facile, sûre et durable.

### Caractéristiques du collier SCC et de l'Attache MRM 6

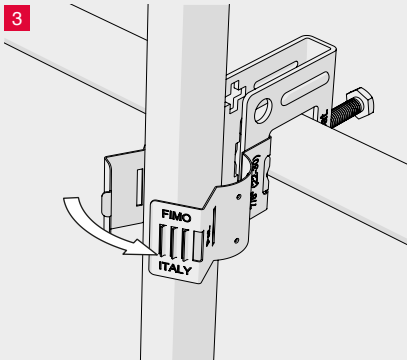
**SCC:** corps monobloc en acier à structure élastique, Fermeture à déclic et réouverture sans outils Fixation via visserie, bandes en acier serre-tubes et attache spéciale **FIMO MRM 6**.

**MRM 6:** Corps monobloc, avec vis de serrage M6. Sur demande, vis M8 supplémentaires pour fixations diverses.

2



3



**SCC - Click Collars**  
For Cables and Pipes

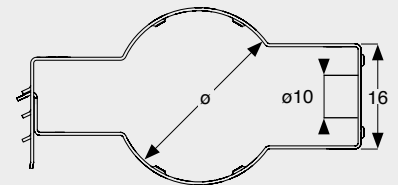
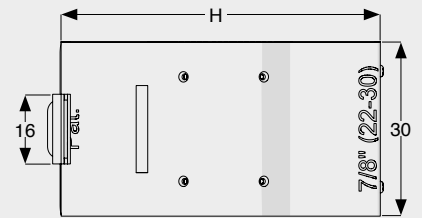
**Use:** for speedy mountings of cables and pipes on different supports

**SCC - Colliers à Clic**  
Pour Câbles et Tubes

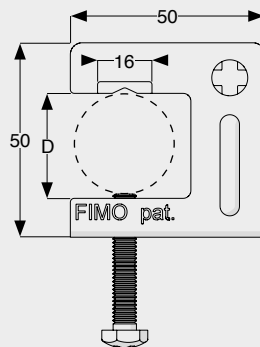
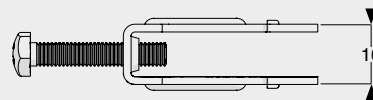
**Emploi:** pour une pose rapide de câbles et de tubes sur supports divers

**MATERIAL**

AISI 301 Stainless Steel



CODE	ARTICLE	FOR CABLES AND PIPES	N° CABLES	H	BAG	BOX	WEIGHT (gr)
61 2010 0020	SCC 20	1/2" Ø 13 ÷ 20	1	44	20	100	15
61 2010 0030	SCC 30	7/8" Ø 22 ÷ 30	1	55	20	100	18
61 2010 0040	SCC 40	1.1/4" Ø 30 ÷ 40	1	67	20	100	23
61 2010 0050	SCC 50	1.5/8" Ø 40 ÷ 52	1	79	20	100	26



**MRM 6 - Fastening Clamps**

Clamps equipped with fixing M6 screw  
To be inserted into SCC Collar

**MRM 6 - Attaches d'Ancrage**

Cavalier fourni de vis de serrage M6.  
Insérable à encastrement dans le collier SCC.

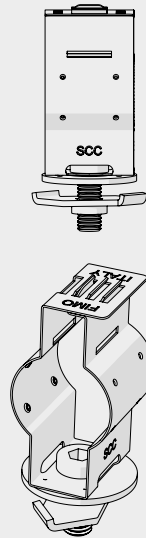
**MATERIAL**

AISI 304 Stainless Steel

CODE	ARTICLE	D	FOR PROFILE	BAG	BOX	WEIGHT (gr)
61 1523 0124	MRM 6	3 - 25		20	100	26

# SCP · SCM

## Click Collars



### SCP - Click Collars

SCC Collar + ISI 8 Sliding Insert for Cables and Pipes

Use: Hooking on "C" profile PCI 40x22

### SCP Colliers à Clic

Collier SCC + Insert ISI 8 pour Câbles et Tubes

Emploi: Accrochage sur profilé en "C" PCI 40x22

MATERIAL	
SCC	AISI 301 Stainless Steel
ISI 8	AISI 304 Stainless Steel

CODE	ARTICLE	FOR CABLES	N° CABLES	FOR SECTIONS	BAG	BOX	WEIGHT (gr)
61 2011 2013	SCP 20	1/2" Ø 13 ÷ 20	1		20	100	45
61 2011 2020	SCP 30	7/8" Ø 22 ÷ 30	1		20	100	48
61 2011 2030	SCP 40	1.1/4" Ø 30 ÷ 40	1		20	100	53
61 2011 2150	SCP 50	1.5/8" Ø 40 ÷ 52	1		PCI 40x22	20	100

### SCM - Click Collars

SCC Collar + MRM 6 Clamp for Cables and Pipes

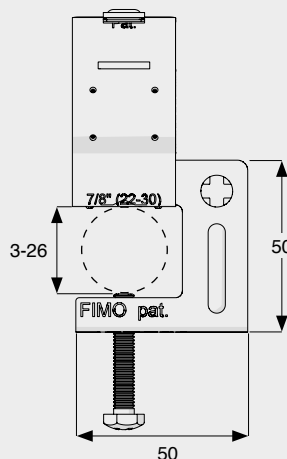
Use: Hooking on flats, rounds and angulars

### SCM - Colliers à Clic

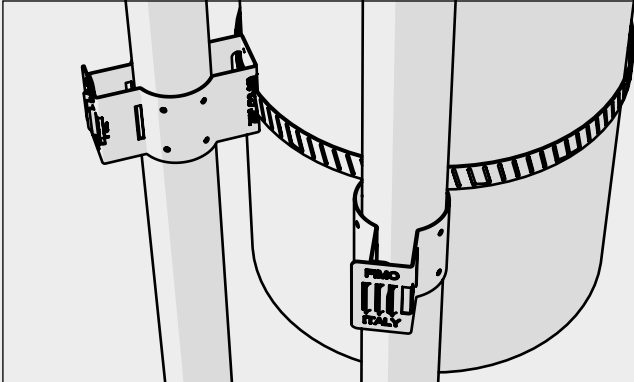
Collier SCC + Attache MRM 6 pour Câbles et Tubes

Emploi: Accrochage sur plats, ronds et cornières

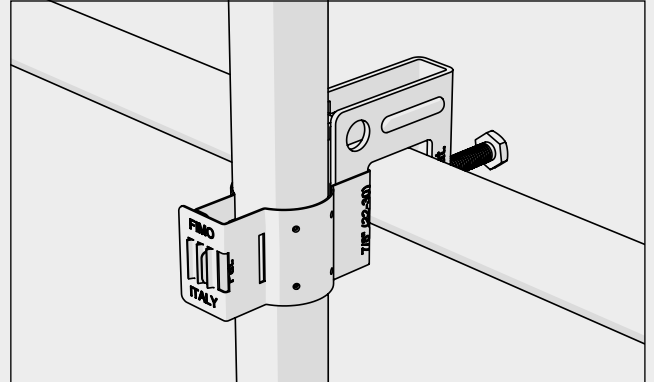
MATERIAL	
SCC	AISI 301 Stainless Steel
MRM 6	AISI 304 Stainless Steel



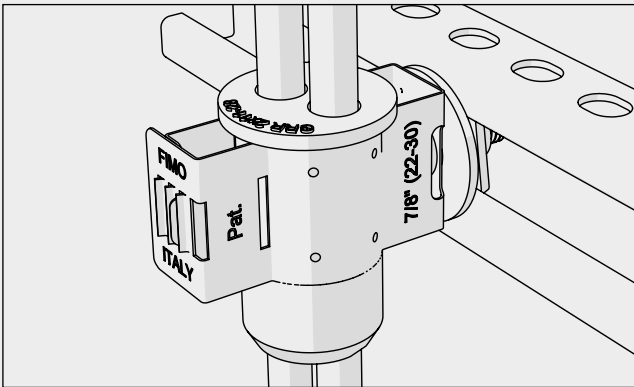
CODE	ARTICLE	FOR CABLES	N° CABLES	FOR SECTIONS	BAG	BOX	WEIGHT (gr)
61 2012 4013	SCM 20	1/2" Ø 13 ÷ 20	1		20	100	77
61 2012 4020	SCM 30	7/8" Ø 22 ÷ 30	1		20	100	80
61 2012 4030	SCM 40	1.1/4" Ø 30 ÷ 40	1		20	100	85
61 2012 4150	SCM 50	1.5/8" Ø 40 ÷ 52	1		20	100	88



SCC + FAU



SCC + MRM

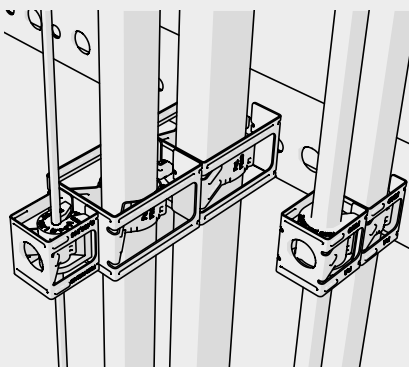


SCP + GRR



**MATERIAL**

AISI 301 Stainless Steel



**SIC - Speedy Snap-in Clamps**  
For Cables and Pipes

**SIC** square shaped clamps. The high flexible Monobloc stainless steel body, with corresponding claws, allows an easy handling by snapping into 19 mm (3/4") wide round holes.

After widening the lower opening of the clamp it can be superimposed onto the cable or rigid line. The final mounting is performed by locking the clamp into the perforation of the according socket.

An inner bracket pair holds the cable in a position by applying elastic pressure with its variable geometry.

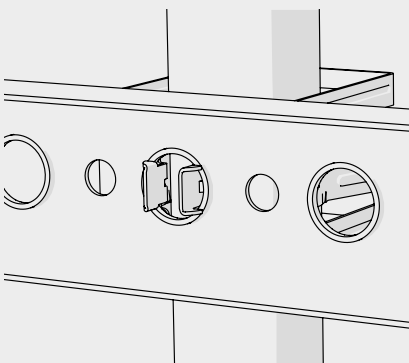
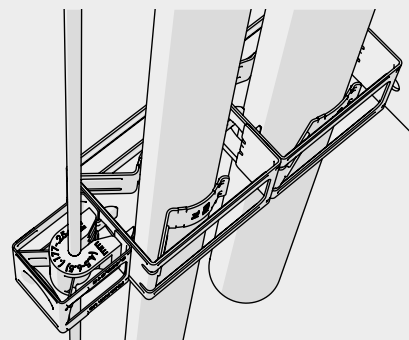
The top boring with a diameter of 19 mm facilitates the mounting and stacking of further **SIC** clamps.

By using an adaptor, the **SIC** clamp can also be fastened to various flat and rectangular irons, respectively to standard "C" profiles.

The mounting can be performed quickly, conveniently and without the need of tools. Only 4 clamps version/dimensions are sufficient in order to install the majority of coaxial cables for the telecommunications industry (1/2" - 7/8" - 1.1/4" - 1.5/8"), as well as electrical cables and pipes.

**Technical features:**

- Monobloc Stainless steel body
- Elastic, simple and strong structure
- Freehand speedy mounting
- Uphead installation
- Secure and soft fastening of cables



**SIC - Colliers à Fixation Rapide**  
Pour Câbles et Tubes

*Les fixation rapides **SIC** ont une forme de collier carré.*

*Ils sont constitués d'acier inoxydable monobloc, bien que leur structure soit élastique. C'est la raison pour laquelle, ils peuvent être facilement écartés à la base qui dispose de pieds crochus.*

*D'abord insérés sur les câbles ou les tubes, ils sont ensuite introduits dans des trous de diam. 19 mm (3/4") de structures préparées spécialement.*

*Les colliers sont équipés sur les côtés de deux ailettes profilées, tournées vers l'intérieur, permettant de retenir le câble installé, de façon sûre et en souplesse.*

*Le côté supérieur des colliers carrés dispose d'un trou pouvant accueillir des colliers de même genre.*

*Les fixation rapides **SIC** s'appliquent rapidement et avec facilité sur des profilés spéciaux spécialement prédisposés de trous de diam. 19 mm, mais aussi sur des adaptateurs spécifiquement conçus pour être appliqués sur des structures de tout genre, tels que fers plats, cornières et profilés en "C" que l'on trouve en commerce.*

*Dans tous les cas, le montage est rapide et ne nécessite pas d'outils. Avec seulement quatre mesures on peut fixer des câbles coaxiaux des mesures les plus courantes (1/2" - 7/8" - 1.1/4" - 1.5/8") mais aussi des câbles de force et des tubes de différents diamètres.*

**Caractéristiques:**

- Corps monobloc en acier
- Structure élastique, simple et robuste
- Applicable à la main, rapidement, sans outils
- Possibilité de superposer plusieurs colliers, même de tailles différentes
- enue souple et élastique des câbles

# SIC

## Snap-in Cable Clamps



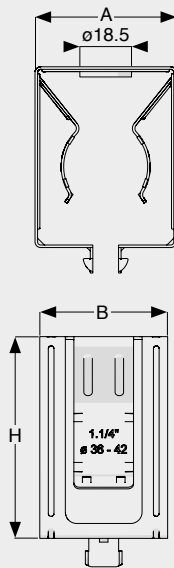
CABLE CLAMPS  
PRODUCT CATALOGUE

### SIC - Snap-in Clamps For Cables and Pipes

**Use:** Hooking in  $\varnothing 18$  holes on **PCA** profiles or **APU** adaptors

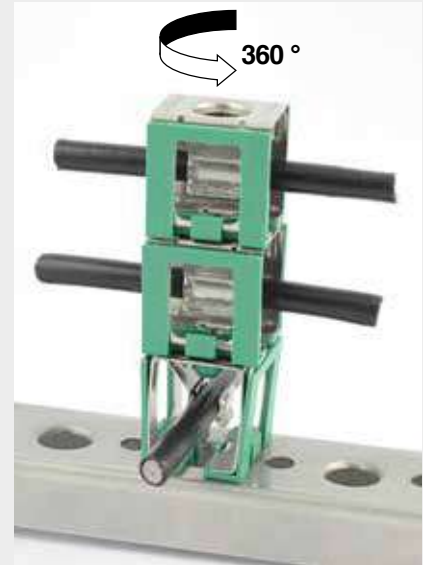
### SIC - Fixation Rapides Pour Câbles et Tubes

**Emploi:** Accrochage à trous  $\varnothing 18$  sur profils spéciaux **PCA** ou applicateurs **APU**.



MATERIAL
AISI 301 Stainless Steel

CODE	ARTICLE	FOR CABLES	N° CABLES	A	B	H	BAG	BOX	WEIGHT (gr)	
61 2009 0020	SIC 1	1/2"	$\varnothing 13 \div 19$	1	32	40	37	20	100	30
61 2009 0030	SIC 2	7/8"	$\varnothing 25 \div 28$	1				20	100	30
61 2009 0040	SIC 3	1.1/4"	$\varnothing 36 \div 42$	1	56	45	67	20	100	86
61 2009 0050	SIC 4	1.5/8"	$\varnothing 48 \div 52$	1				20	100	86



### SIC H Hybrid Snap-in Cable Clamps

The SIC H quick cable fasteners have the shape of a square collar. Consisting of a stainless-steel body and a plastic fastening system, they are characterized by an elastic structure.

In this way, they can be easily spread out at the base, on which the plastic hooked feet are attached. First plugged into cables or pipes, they are then inserted into 19 mm (3/4") holes in specific dedicated structures. The collars have two shaped fins on the sides facing the inside, so as to securely but elastically hold the installed cable. The upper side of the square collars has a hole to accommodate other similar collars.

SIC H quick cable fasteners are quickly and easily applied on special profiles with holes diam. 19 mm, as well as on adapters specifically designed to be applied to structures of all kinds, such as flat irons, angles and commercial C-profiles. Quick assembly is performed in any case without the help of any tools. The plastic feet make possible to electrically insulate the cable clamp from the structure on which they are fixed or from another SIC H cable clamp (when stacked together).

The product thus created, allows to significantly reduce the phenomenon of passive intermodulation (PIM).

### SIC H Pincas à Câble Hybride Encliquetable

Les brides de câbles rapides SIC H ont la forme d'un collier cadre. Composées d'un corps en acier inoxydable et d'un système de fixation en plastique, elles sont caractérisées par une structure élastique.

De cette façon, elles peuvent être facilement élargies à la base, sur laquelle les pieds en plastique sont attachés. Insérées d'abord sur des câbles ou des tubes, elles sont ensuite insérées dans des trous de diamètre 19 mm (3/4") de structures spécialement préparées. Les colliers disposent sur les flancs de deux ailettes profilées orientées vers l'intérieur, de manière à retenir en toute sécurité mais élastiquement le câble installé. Le côté supérieur des colliers cadres dispose d'un trou pour recueillir d'autres colliers similaires.

Les fixations rapides SIC H sont appliquées rapidement et facilement sur des profilés appropriés de perçage de 19 mm de diamètre, ainsi que sur des adaptateurs spécialement conçus pour être appliqués à toutes sortes de structures, telles que des fers plats, angulaires et profilés à « C » commerciaux. Le montage rapide se fait en tout cas sans l'utilisation d'outils. Les pieds en plastique permettent d'isoler électriquement les brides de câbles de la structure sur laquelle elles sont fixés ou d'un autre fixateur SIC H (lorsqu'elles sont empilées les uns sur les autres).

Le produit ainsi réalisé permet de réduire de manière significative le phénomène de l'intermodulation passive (PIM).

### FEATURES & BENEFITS

- Monobloc steel body + plastic feet
- Simple, robust and elastic structure
- Hand-applied, fast, tool-free
- Possibility of overlap several collars, even of different sizes
- Soft and elastic hold of the cables
- Ideal for reducing passive intermodulation PIM

### CARACTERISTIQUES & AVANTAGES

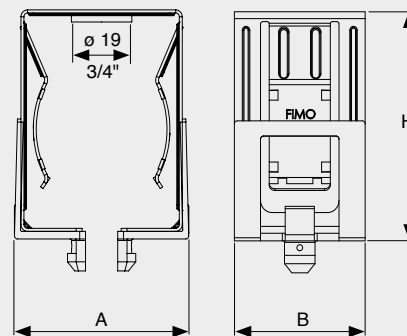
- Corps monobloc en acier + pieds en plastique
- Structure simple, robuste et élastique.
- Application à la main, rapide et sans outils
- Empilable même entre différentes tailles
- Étanchéité de câbles élastique et non agressive
- Idéal pour réduire l'intermodulation passive PIM

# SIC H

Hybrid Snap-in Cable Clamps



CABLE CLAMPS  
PRODUCT CATALOGUE



## MATERIAL

<b>Clamp</b>	AISI 301 Stainless Steel
<b>Fastening system</b>	Glass reinforced P.A. U.V. Resistant Halogen Free
<b>Colour</b>	Green

CODE	ARTICLE	FOR CABLES	N° CABLES	A	B	H	BAG	BOX	WEIGHT (gr)
61 2109 0020	SIC 1 H	1/2" $\varnothing 13 \div 19$	1	36	40	41	10	100	35
61 2109 0030	SIC 2 H	7/8" $\varnothing 26 \div 30$	1	36	40	41	10	100	35
61 2109 0040	SIC 3 H	1.1/4" $\varnothing 36 \div 42$	1	60	45	76	10	100	87
61 2109 0050	SIC 4 H	1.5/8" $\varnothing 48 \div 52$	1	60	45	76	10	100	87



### SIC P Plastic Snap-in Clamps

SIC P plastic snap-in clamps have been specifically designed for a quick and tool-less installation of cables. The high flexibility of the body, obtained with high-performance compound and optimal design, allows an easy handling by snapping into 19 mm (3/4") wide round holes.

After superimposing the clamp onto the cable, the SIC P can be mounted by locking it into the perforation of the according socket.

An inner bracket pair holds the cable in position by applying elastic pressure with its variable geometry. Two pairs of flaps extending from the base cooperate with the brackets to further increase the axial retention of cable especially with bigger diameter cables. The high security factor K allows horizontal as well as vertical installations.

The head portion with the pass-through circular opening facilitates the mounting and stacking of further SIC P clamps, allowing mutual rotation and twistability.

4 versions, all sharing a common external frame, guarantee the capability to install cables in the range spanning from 4 to 17 mm, covering the majority of fiber optic cables, jumpers, electrical cables and pipes commonly used in the telecommunications industry.

### SIC P Pincas Plastiques Encliquetables

Les brides câbles rapides en plastique SIC P sont conçues pour une installation rapide de câbles sans l'utilisation d'outils. La déformabilité élevée du corps, obtenue grâce à l'utilisation de matériaux présentant des caractéristiques mécaniques élevées et au design optimisé, permet une manipulation aisée du produit qui peut être appliqué dans des trous de 19 mm de diamètre (3/4"). Après avoir inséré la bride câble sur le câble, le SIC P peut être installé en le verrouillant à l'intérieur de la structure spécialement perforée.

Une paire de supports internes bloque le câble en appliquant une pression élastique grâce à la géométrie variable de celles-ci. Une paire d'ailettes, qui s'étendent à partir de la base, coopère avec les supports pour ultérieurement augmenter l'étanchéité axiale du câble, en particulier avec des câbles de plus grand diamètre. Le facteur élevé de sécurité K permet une utilisation dans des installations verticales et horizontales.

La partie supérieure de la bride câble avec l'ouverture circulaire passante facilite le montage et l'empilement de brides câbles SIC P supplémentaires, permettant la rotation et la torsion réciproques. Quatre versions, qui partagent un seul châssis externe, garantissent la possibilité d'installer des câbles d'une plage de diamètres de 4 à 17 mm, couvrant la plupart des câbles à fibres optiques, des dispositifs de pontage, des câbles électriques et des tubes couramment utilisés dans le secteur des télécommunications.

### FEATURES & BENEFITS

- Free hand, quick and easy installation
- Stackable and twistable (up to three clamps)
- Easily removable without tools
- Suitable for horizontal and vertical installations
- Single external frame for 4 versions (range: 4 – 17 mm diameter cables)
- Optimal design and high-performance compound with high mechanical resistance and flexibility
- High security factor K in all axial tests
- High ice and wind load resistance (up to 300 km/h)

### CARACTERISTIQUES & AVANTAGES

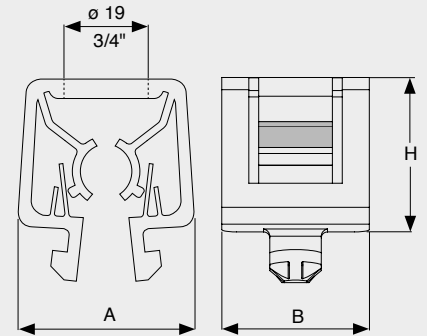
- Applicable à la main, installation facile et rapide.
- Empilable et pivotable (jusqu'à 3 colliers).
- Retirable sans outils
- Convient aux installations verticales et horizontales
- Corps extérieur unique pour 4 versions (plage : 4 – 17 mm diamètre câbles).
- Design optimal et matériaux aux performances élevées avec résistance mécanique et flexibilité élevées
- Facteur élevé de sécurité K dans tous les essais axiaux.
- Résistance élevée à la charge due à la glace et au vent (jusqu'à 300 km/h)

# SIC P

Plastic Snap-in Cable Clamps



CABLE CLAMPS  
PRODUCT CATALOGUE



### MATERIAL

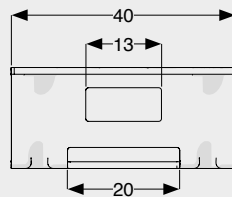
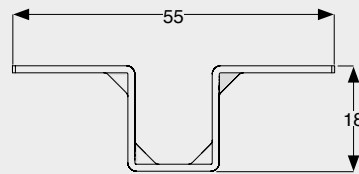
<b>Clamp</b>	Glass reinforced P.A. U.V. Resistant Halogen Free
<b>Colour</b>	Black

CODE	ARTICLE	FOR CABLES	N° CABLES	A	B	H	BAG	BOX	WEIGHT (gr)
61 2209 0407	SIC 4-7 P	4 - 7	1	36	30	31	10	100	11
61 2209 0710	SIC 7-10 P	7 - 10	1	36	30	31	10	100	11
61 2209 1014	SIC 10-14 P	10 - 14	1	36	30	31	10	100	11
61 2209 1417	SIC 14-17 P	14 - 17	1	36	30	31	10	100	11

# APU - APC

## Accessories for SIC Clamps

CABLE CLAMPS  
PRODUCT CATALOGUE



**APU - Stainless Steel Adaptor for SIC Clamps**  
Fixing with Hose Clamp or Screw

**APU - Applicateur Inox pour Fixation SIC**  
Emploi via Collier Serre-tubes ou Vis

### MATERIAL

AISI 304 Stainless Steel

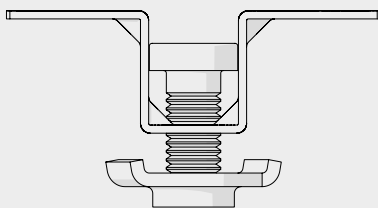
CODE	ARTICLE	DESCRIPTION / USE	BAG	BOX	WEIGHT (gr)
61 3221 0009	APU	for poles with <b>FAU</b> Hose Clamp	20	100	26

**APC - Stainless Steel Adaptor for SIC Clamps**  
APU Adaptor + ISP 8 Sliding insert + VCI 8 Screw

**Use:** Hooking on "C" profile **PCI 40x22**

**APC- Applicateur Inox pour Serre-câbles SIC**  
Applicateur APU + Insert ISP 8 + Vis VCI 8

**Emploi:** Accrochage sur profilé en "C" **PCI 40x22**



### MATERIAL

AISI 304 Stainless Steel

CODE	ARTICLE	DESCRIPTION / USE	BAG	BOX	WEIGHT (gr)
61 3221 0010	APC	hooking on <b>PCI 40x22</b> sections	20	100	44

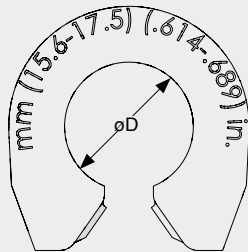


### MATERIAL

Rubber EPDM, U.V. Resistant

### SRG Safe Rubber Guard

SRG rubber guards combined with SIC and SIC H snap-in clamps are the perfect solution for a quick, easy and safe installation of coaxial, fiber and power cables. SRG rubber guard allows safe locking of coaxial, fiber optics and power cables, protecting cable and its jacket. SRG rubber guards sizes cover a wide diameter range (4.5 – 40 mm / .177 – 1.574 inches) of fiber optic and power cables.



### FEATURES & BENEFITS

- Strong and elastic structure
- Outer frame optimized for a smooth cable insertion
- One-hand instant mounting
- Safe and flexible fastening of cables
- Ideal for reducing passive intermodulation PIM

### SRG Joint de protection

Les joints de protection combinés SRG tels que les brides câbles rapides SIC et SIC H sont la solution idéale pour une installation facile, rapide et sûre des câbles coaxiaux, la fibre optique et l'énergie. Les joints de protection SRG permettent le verrouillage sécurisé des câbles coaxiaux, de la fibre optique et de l'énergie tout en protégeant le câble et sa gaine extérieure. Les versions de joints SRG permettent de couvrir toute la plage de diamètres (4,5 – 40 mm / .177 – 1574 pouces) des câbles de la fibre optique et l'énergie.

### CARACTERISTIQUES & AVANTAGES

- Structure résistante et élastique
- Structure externe optimisée pour une insertion facile des câbles
- Installation rapide avec une seule main
- Verrouillage sûr et flexible des câbles
- Idéal pour réduire l'intermodulation passive PIM

CODE	ARTICLE	øD		BAG	BOX	WEIGHT (g)
		mm	in			
61 4012 1001	SRG 1 (4,5-6,5)	4.5 - 6.5	.177 - .256	10	50	10
61 4012 1002	SRG 1 (6,6-8,5)	6.6 - 8.5	.259 - .335	10	50	9
61 4012 1003	SRG 1 (8,6-10,5)	8.6 - 10.5	.338 - .413	10	50	9
61 4012 2001	SRG 2 (10,6-12,5)	10.6 - 12.5	.417 - .492	10	50	17
61 4012 2002	SRG 2 (12,6-15,5)	12.6 - 15.5	.496 - .610	10	50	16
61 4012 2003	SRG 2 (15,6-17,5)	15.6 - 17.5	.614 - .689	10	50	14
61 4012 3010	SRG 3 (15-17)	15 - 17	.590 - .669	10	50	43
61 4012 3001	SRG 3 (20-22)	20 - 22	.787 - .866	10	50	54
61 4012 3002	SRG 3 (22-24)	22 - 24	.866 - .944	10	50	50
61 4012 3004	SRG 3 (27-29)	27 - 29	1.062 - 1.141	10	50	39
61 4012 4001	SRG 4 (20-30)	20 - 30	.787 - 1.181	10	50	56
61 4012 4002	SRG 4 (30-40)	30 - 40	1.181 - 1.574	10	50	34v



**MATERIAL**

<b>Cushion</b>	Black EPDM U.V. Resistant
<b>Colour</b>	Black

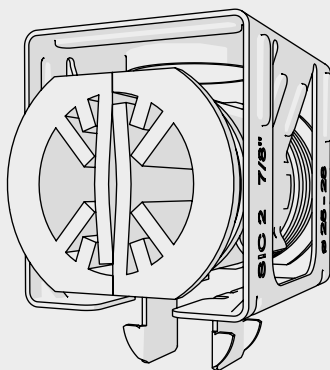
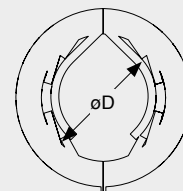
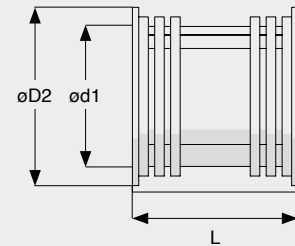
**SRR**  
Round Reduction Cushions for a wide range of cables' diameters.

SRR round reduction cushions allow a safe fixing of coaxial, fiber optic and power cables with a wide range of diameters. They consist of two hinged half cushions with an innovative internal structure designed to be easily shaped around cables with a wide range of diameters. SRR round cushions guarantees a secure locking of cables, protecting cable and its jacket. Two cushions are covering the entire diameter's range (4-32 mm / .157 -1.260 inches) of fiber optic and power cables. SRR round reduction cushions can be combined either with **SIC** snap-in cable clamps or with **SEB** calibrated double saddles

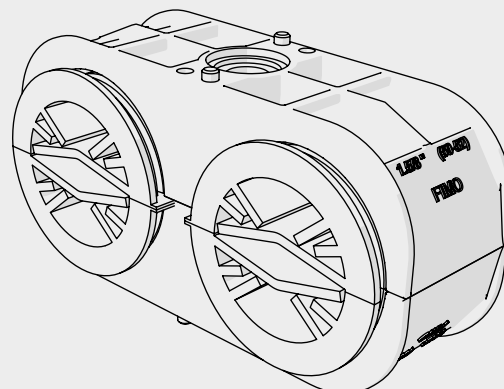
**Not Available for US market**

**SRR**  
*Tampons de Réduction Ronds pour Une Vaste Gamme de Diamètres de Câble.*

*Les tampons de réduction ronds SRR permettent une fixation sûre des câbles coaxiaux, en fibre optique et électriques avec une vaste gamme de diamètres. Ils consistent en deux demi-tampons articulés avec une structure interne novatrice conçue pour être mise en forme facilement autour des câbles avec une vaste gamme de diamètres. Les tampons de réduction ronds SRR garantissent un verrouillage sûr des câbles, en protégeant le câble et sa gaine. Deux tampons couvrent toute la plage du diamètre (4-32 mm / .157 -1.260 pouces) des câbles en fibre optique et électriques. Les tampons de réduction ronds SRR peuvent être combinés soit à des serre-câbles encastrables **SIC** ou à une double selle étalonnée **SEB**.*

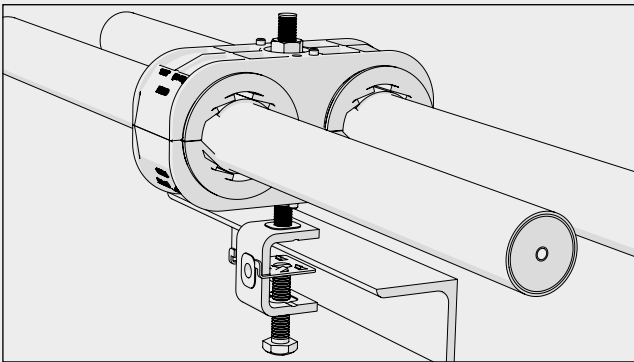


**SIC + SRR**

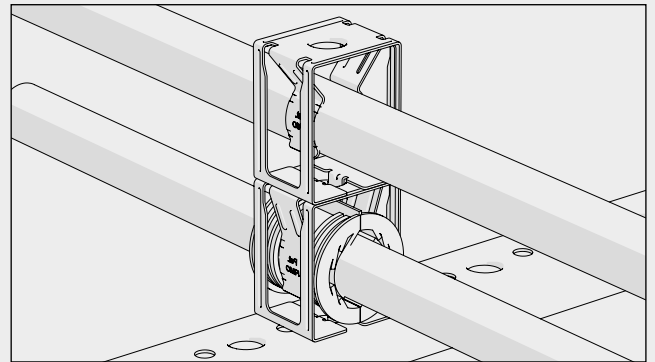


**SEB + SRR**

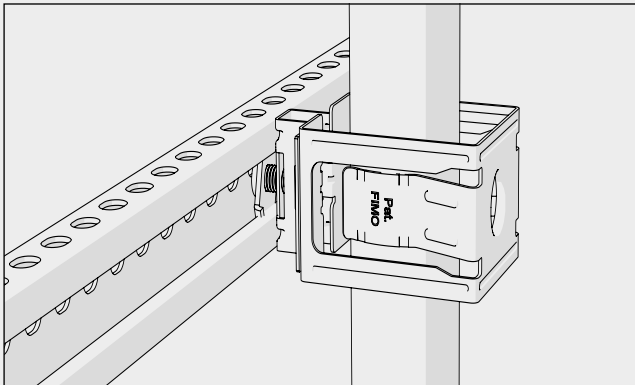
CODE	ARTICLE	FOR	øD		L	øD1	øD2	BOX	WEIGHT
			mm	in					
61 4014 0028	SRR 2 (4-16)	SIC 2 SEB 2x7/8"	4 - 16	.157 - .629	47	25,7	27,3	10	19
61 4014 0050	SRR 4 (16-32)	SIC 4 SEB 2x1.5/8"	16 - 32	.629 - 1.259	52	43	49	10	53



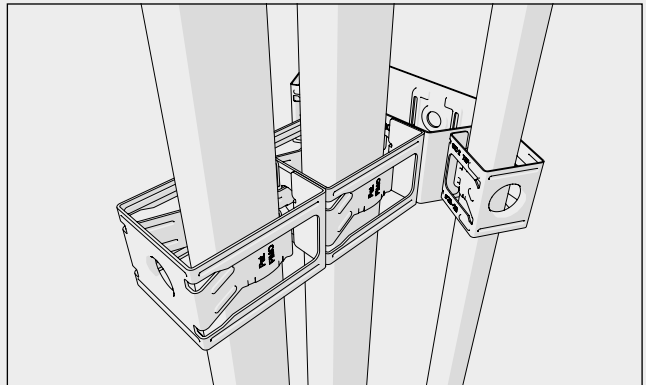
SRR+UMC  
On Angular



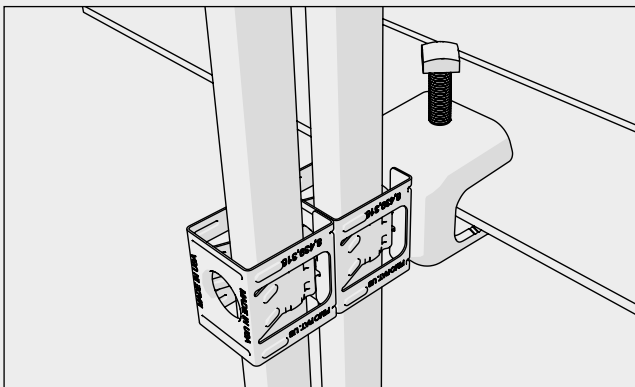
SRR+SIC  
On Profile



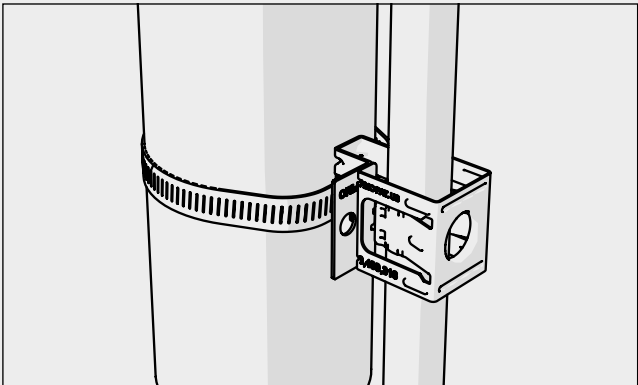
SIC + APC



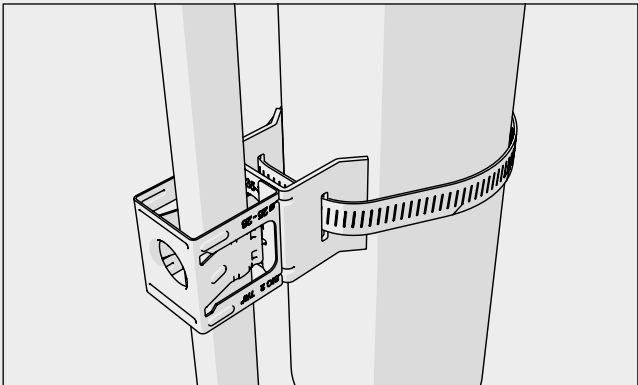
SIC + MHA



SIC + MDM



SIC + APU

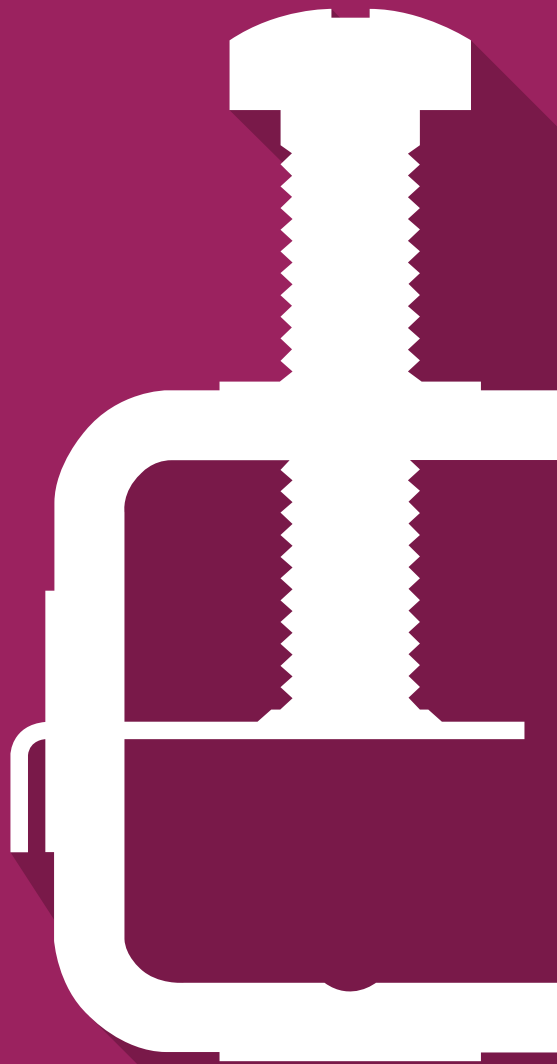


SIC + SHA



# Fastening Devices

Product Catalogue





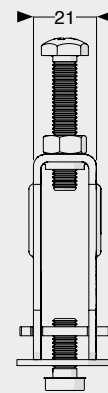
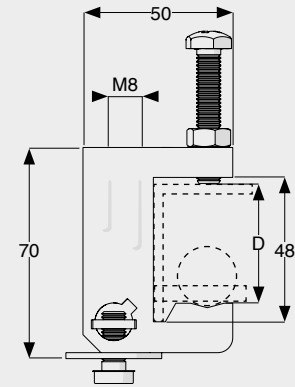
# Fastening Devices

FIMO fastening devices are suitable for the creation of additional fixing points on any kind of structure. The wide range of products and accessories can fulfill any installation requirement with a specific solution.

*Les éléments de fixation FIMO sont utiles pour créer un point de fixation supplémentaire sur n'importe quelle structure. La vaste gamme de produits et d'accessoires permet de trouver la solution spécifique pour toute nécessité liée à l'installation.*

# MAM 8

## Clamps



### MAM 8 - Multidirectional Clamps

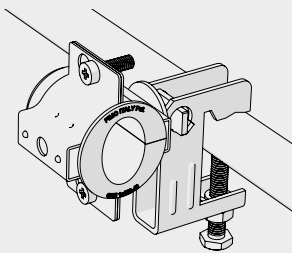
Multidirectional clamps, consisting of a stainless steel bow equipped with M8 screw+second M8 hole, allows hooking to various structures. Thanks to an M8 screw inserted in a pivot pin, other objects can be mounted and oriented. In combination with **GO** and **RF Q** collars, **STM8** stirrups, **MEM** brackets and **APM** adapters, the installation becomes easy and flexible.

### MAM 8 - Attaches Multidirectionnelles

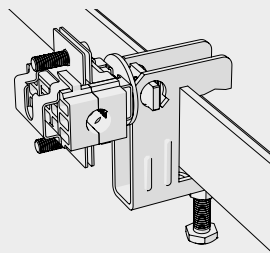
Attaches multidirectionnelles constituées d'un cavalier en acier inoxydable muni de vis M8+deuxième trou M8, qui permet le blocage sur différentes structures. Utiles pour le montage d'autres objets grâce aux vis M8 vis insérées dans un élément transversal orientable à volonté. En combinaison aux colliers **GO** et **RF Q**, aux étriers **STM8**, aux étagères **MEM** et à l'applicateur **APM**, elle offre l'avantage d'une universalité d'emploi, de simplicité et de flexibilité d'installation.

#### MATERIAL

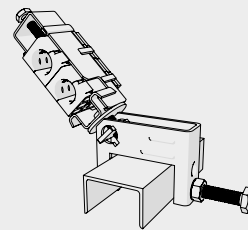
AISI 304 Stainless Steel



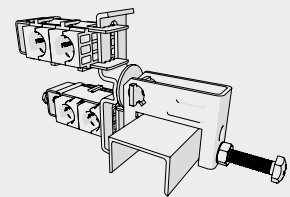
MAM + GO



MAM + RFQ



MAM + SRFB

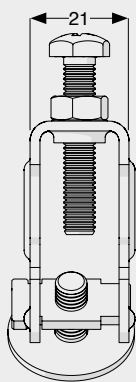
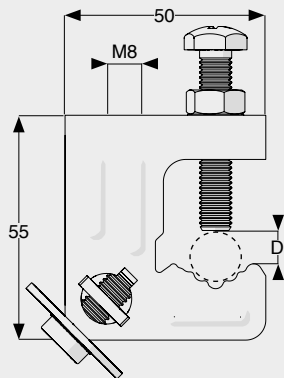


MAM + STM

CODE	ARTICLE	D	FOR PROFILE	BAG	BOX	WEIGHT
61 1523 1140	MAM 8	8-40		20	100	140

# MBM 8

## Clamps



### MBM 8 - Multidirectional Clamps

Multidirectional clamps, consisting of a stainless steel bow equipped with a M8 screw, allows hooking to various structures. By using M8 screw + a second hole inserted in a pivot pin other objects can be mounted and orientated.

In combination with **GO** and **RF Q** collars, **STM8** stirrups, **MEM** brackets and **APM** adapters, installation becomes easy and flexible.

### MBM 8 - Attaches Multidirectionnelles

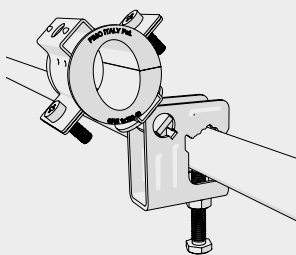
Attaches multidirectionnelles constituées d'un cavalier en acier inoxydable muni de vis M8 plus d'un deuxième trou qui permet le blocage sur différentes structures.

Utiles pour le montage d'autres objets grâce aux vis M8 vis insérées dans un élément transversal orientable selon nécessité.

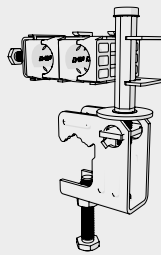
En combinaison aux colliers **GO** et **RF Q**, aux étriers **STM8**, aux étagères **MEM** et à l'applicateur **APM**, elle offre l'avantage d'une universalité d'emploi, de simplicité et de flexibilité d'installation.

#### MATERIAL

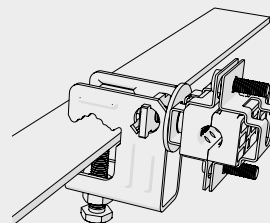
AISI 304 Stainless Steel



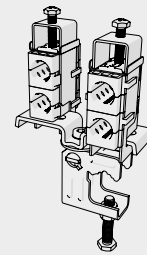
MBM + GO



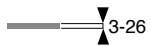

MBM + MEI

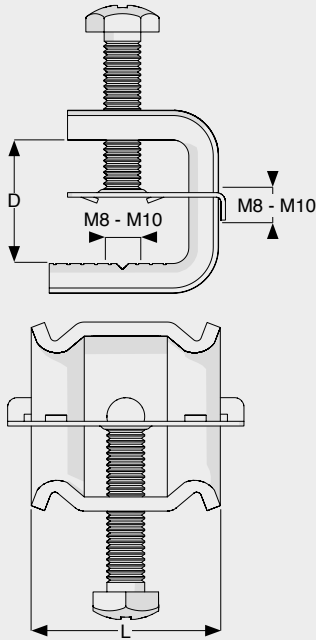


MBM + RFQ



MBM + STM + RFB

CODE	ARTICLE	D	FOR PROFILE	BAG	BOX	WEIGHT
61 1523 0125	MBM 8	3-26	 	20	100	136



**MATERIAL**

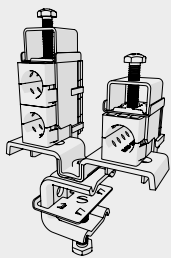
AISI 304 Stainless Steel

**MCM 8 - Self-locking Clamp**  
**MCM 8V - Self-locking Clamp with M8 Screw**

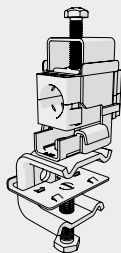
Enbloc bidirectional clamp with a patented ribbed, selfcentering pressure plate and patented self-locking M8 screw. Appreciated for its simple and adaptable installation. Combinable with **UCO**, **USO** and **RF Q** clamps, **GO** collars, **STM 8** stirrups, **APM** adaptors, it offers the advantage of a universal usage.

**MCM 8 - Attache Autobloquante**  
**MCM 8V - Attache Autobloquante avec Vis M8**

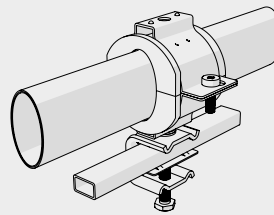
Attache monobloc bidirectionnelle complète de petite plaque avec nervure brevetée. Vis de serrage M8 autobloquante et brevetée. Elle est appréciée pour sa simplicité et sa flexibilité d'installation sur diverses structures. Elle peut être combinée avec des serre-câbles **UCO**, **USO**, **RF Q**, des colliers **GO**, des étriers **STM 8**, et des applicateurs **APM**.



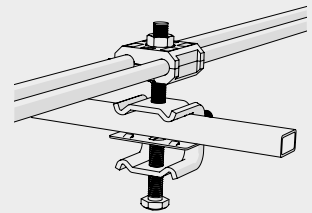
**MCM + STM + SRF**



**MCM 8 + APM + SRF**



**MCM + GO + GRE**



**MCM + SAC**

PICTURE	CODE	ARTICLE	D	L	FOR PROFILE	BAG	BOX	WEIGHT
	61 1523 1002	<b>MCM / 8</b>	3 - 25	40		20	100	110
	61 1523 1003	<b>MCM 8V</b>	3 - 25	40		20	100	115
	61 1523 1010	<b>MCM / 10</b>	3 - 25	40		20	100	110



MDM V + UNIVERSAL KIT



MDM S + UNIVERSAL KIT



MDM S R + UNIVERSAL KIT  
MDM L R + UNIVERSAL KIT



UNIVERSAL KIT

### MDM 3/8" V

Universal Angle Adaptor Holes 3/8"

### MDM 3/4" S / L

Universal Angle Adaptor Holes 3/4" for SIC

Heavy Duty Enbloc bidirectional clamp with a 3/8" locking screw. Available version with 3/8" threaded holes and 3/4" holes, for universal usage. A specific reduction insert (IS 3/4" - 3/8") is foreseen for the version with 3/4" holes. The version with 3/4" holes can be used in combination with SIC clamps.

### MDM 3/8" V

*Attache Universelle avec Trous 3/8"*

### MDM 3/4" S

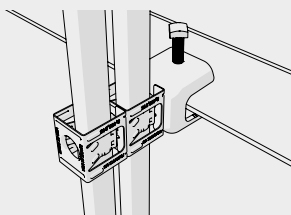
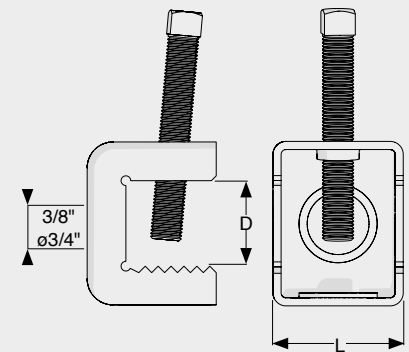
*Attache Universelle avec Trous 3/4" pour SIC*

### MDM 3/8" I

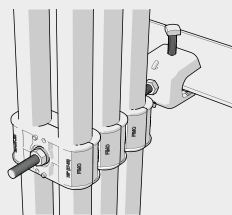
*Attache Universelle + Insert de Réduction*

*Attache Universelle complète de vis de blocage 3/8". Disponible en version avec trous filetés de 3/8" et avec des trous de 3/4".*

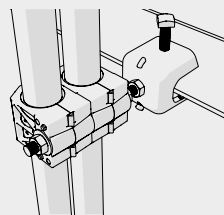
*Un insert de réduction est prévu (IS 3/4" - 3/8") pour la version avec trous de 3/4". La version avec des trous de 3/4" peut être utilisée en combinaison aux serre-câbles SIC.*



MDM + SIC



MDM + SEB



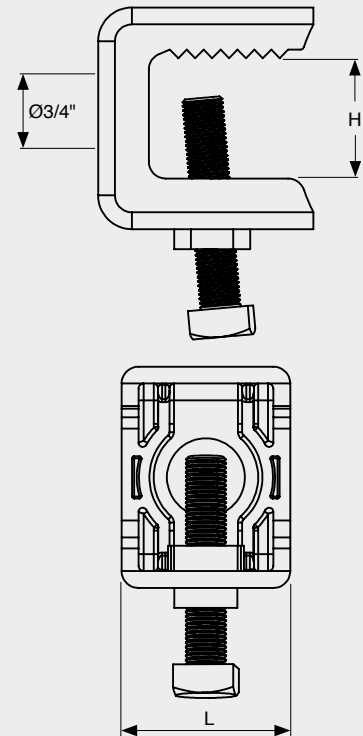
MDM + SAM

### MATERIAL

AISI 304 Stainless Steel

PICTURE	CODE	ARTICLE	D		L	BAG	BOX	WEIGHT
			mm	in				
	61 1523 3038	MDM 3/8" V	3 - 22	.118 - .866	45	10	100	190
	61 1523 2019	MDM 3/4" S	3 - 22	.118 - .866	45	10	100	170
	85 1523 2119	MDM 3/4" S R*	3 - 22	.118 - .866	45	10	100	170
	85 1523 3119	MDM 3/4" L R*	3 - 29	.118 - 1.141	49	10	100	180
	85 1523 0001	KIT FOR ANGLE ADAPTER	-	-	-	10	100	35

\* Version with round member adapter slot



**MDM 3x3/4" P**  
Plastic Universal Angle Adaptor  
3 holes 3/4"

**MDM 3x3/4" P**  
*Borne universelle en plastique  
avec 3 trous 3/4"*

**MDM 2x3/4" P**  
Plastic Universal Angle Adaptor  
2 holes 3/4" and locking screw

**MDM 2x3/4" P**  
*Borne universelle en plastique  
avec 2 trous 3/4" et vis de  
verrouillage*

**MDM 3/8" P**  
Plastic Universal Angle Adaptor  
2 reductions 3/8" and locking  
screw

**MDM 3/8" P**  
*Borne universelle en plastique  
avec 2 réductions 3/8" et vis de  
verrouillage*

**MDM P**  
Plastic Universal Angle Adaptor

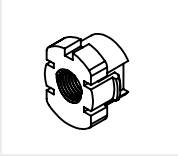
**MPM P**  
*Borne universelle en plastique*

Heavy Duty monobloc bidirectional plastic clamp available with three 3/4" holes and slots for the installation with two plastic tie wraps to various structures like poles and pylons. The 3/4" holes allow the combination with SIC H and SIC P snap-in cable clamps. Two specific plastic reduction inserts (ISP 3/4" - 3/8" V and O) are foreseen for the installation with a 3/8" locking screw on flats, rounds and angular, and for the installation of cable blocks with 3/8" hardware.

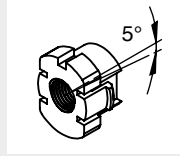
*Borne universelle en plastique avec trois trous 3/4" et deux fentes pour l'installation avec des attaches en plastique à diverses structures telles que des poteaux et des pylônes. Les trous 3/4" permettent une utilisation en combinaison avec les brides câbles SIC H et SIC P. Deux insertions spécifiques (ISP 3/4"-3/8" V - ISP 3/4"-3/8" O) sont prévues pour l'installation avec vis de verrouillage 3/8" sur plaque, ronde et angulaire à séparation fractionnaire et pour l'installation de selles avec tiges filetées 3/8".*

MATERIAL	
Locking screw	Glass reinforced P.A. U.V. Resistant Halogen Free
Body	Glass reinforced P.A. U.V. Resistant Halogen Free
Colour	Black

CODE	ARTICLE	H		L	BAG	BOX	WEIGHT (gr)
		mm	in				
61 2523 3019	MDM 3x3/4"P	3 - 25.4	0.118 - 1	40	10	100	30
61 2523 2019	MDM 2x3/4"P	3 - 25.4	0.118 - 1	40	10	100	70
61 2523 3038	MDM 3/8"P	3 - 25.4	0.118 - 1	40	10	100	76



Plastic reduction insert for the installation of cable blocks with 3/8" hardware.



Plastic reduction insert for locking screw

**MATERIAL**

<b>Insert</b>	Glass reinforced P.A. U.V. Resistant Halogen Free
<b>Colour</b>	Black

**ISP 3/4"-3/8" V**  
Reduction insert

*Insertion en plastique pour l'installation de selles avec tiges filetées 3/8"*

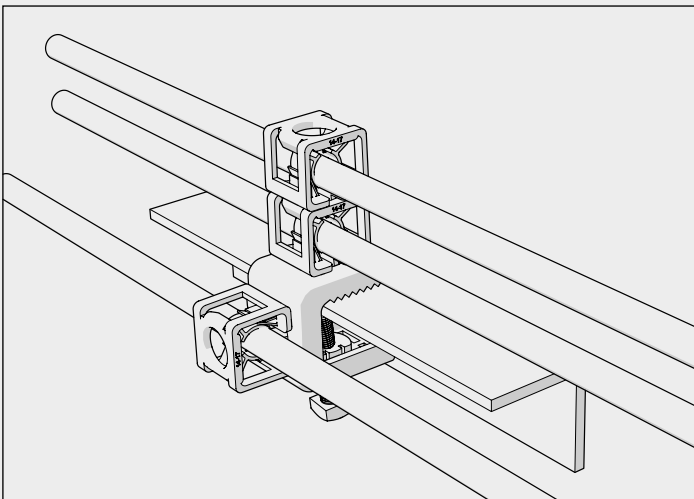
**ISP 3/4"-3/8" O**  
Reduction insert

*Insertion en plastique pour l'installation avec vis de verrouillage 3/8"*

**ISP 3/4"-3/8" V**  
Insertion

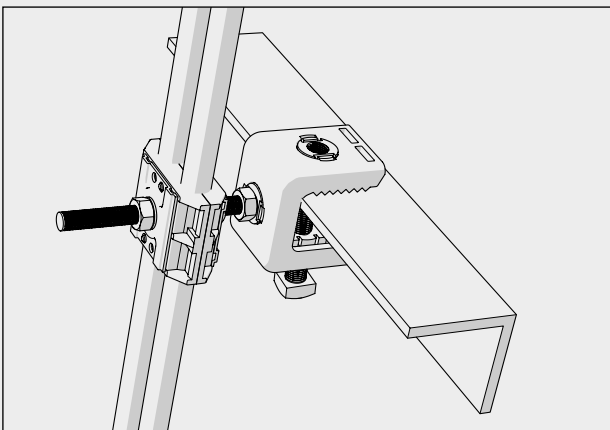
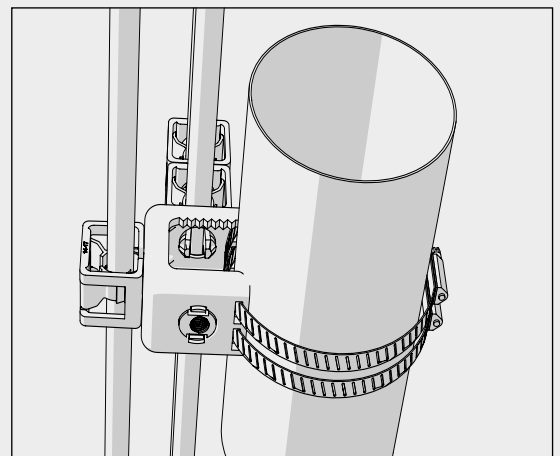
**ISP 3/4"-3/8" O**  
Insertion

CODE	ARTICLE	THREADED HOLE	BAG	BOX	WEIGHT (gr)
61 2523 1938	ISP 3/4" - 3/8" V	3/8" straight for hardware	10	100	3
61 2523 2938	ISP 3/4" - 3/8" O	3/8" inclined for locking screw	10	100	3

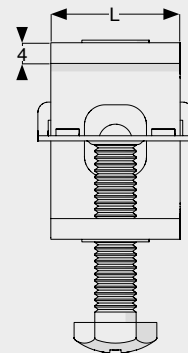
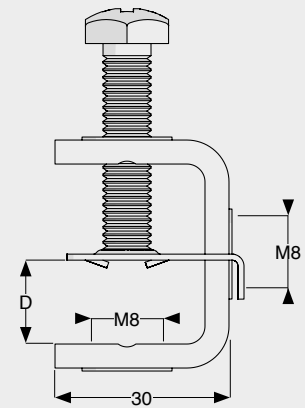


◀ MDM P + SIC P on angular installed with locking screw

MDM P + SIC P on pole installed with plastic hose clamps ▶



◀ MDM P + cable block on angular installed with locking screw

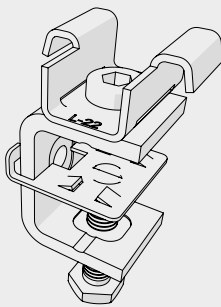


**MIM 8/25 - Self-Locking M8 Mini Clamp**  
**MIM 8/35 - Self-Locking M8 Maxi Clamp**

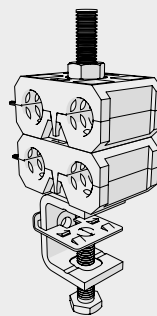
Enbloc bidirectional mini clamp with a patented ribbed, self-centering pressure plate, and patented self-locking M8 screw. Appreciated for its simple and adaptable installation.  
Combinable with **SAC** double saddles, **RF Q** clamps and **APM** adaptors.

**MIM 8/25 - Mini Attache M8 Autobloquante**  
**MIM 8/35 - Mini Attache M8 Autobloquante**

Mini attache bidirectionnelle monobloc complète de petite plaque avec nervure brevetée. pour accrochage sur structures variées. Vis de serrage M8 autobloquante brevetée. Elle est appréciée pour sa simplicité et sa flexibilité d'installation.  
Elle peut être combinée aux double-selles **SAC**, aux serre-câbles **RF Q**, aux applicateurs **APM**.



**MIM 8 + APM**

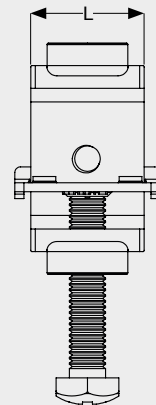
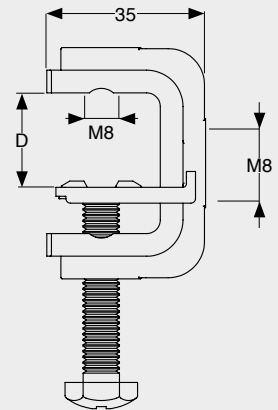


**MIM 8 + SAC**

**MATERIAL**

AISI 304 Stainless Steel

PICTURE	CODE	ARTICLE	D	L	FOR PROFILE	BAG	BOX	WEIGHT
	61 1523 2525	<b>MIM 8/25</b>	3 - 25	25		20	100	74
	61 1523 2510	<b>MIM 10/25</b>						
	61 1523 3535	<b>MIM 8/35</b>	3 - 35	35		20	100	135
	61 1523 3510	<b>MIM 10/35</b>						



**MPM 8/25**  
**Self-Locking M8 Mini Plastic Clamp**

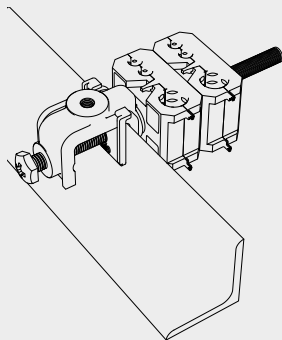
Enbloc plastic mini clamp with self-centering plastic pressure plate and plastic self-locking M8 screw. Appreciated for its simple and adaptable installation.

Recommended with SAC double saddles, SEC double saddles and SDS stackable modular double saddles.

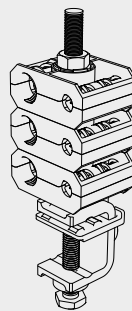
**MPM 8/25**  
**Mini-borne en plastique M8 Autobloquante**

Mini-borne en plastique monobloc équipée de plaque de poussée et de vis de serrage M8 autobloquante. Elle est appréciée pour sa simplicité et sa flexibilité d'installation.

Elle est recommandée avec les bi-selles SAC, les bi-selles SEC et les selles jumelles modulaires SDS.




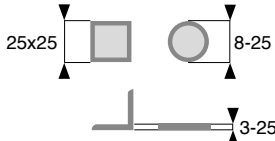
MPM + SAC



MPM + SEC

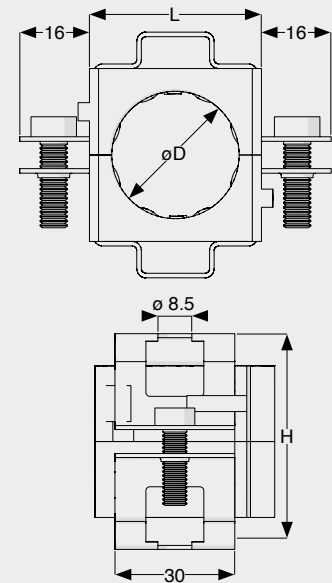
**MATERIAL**

Fiberglass P.A., U.V. Resistant  
Black Colour  
Halogen Free

PICTURE	CODE	ARTICLE	D	L	FOR PROFILE	BAG	BOX	WEIGHT
	61 1523 2525.PA	MPM 8/25	3 - 25	25		20	100	21

# RF Q

## Square Collars



### MATERIAL

<b>Collar</b>	AISI 304 Stainless Steel
<b>Saddles</b>	Fiberglass P.A., U.V. Resistant Black Colour Halogen Free

### RF Q - Square Collar With SAS/SAT Calibrated Saddles

The **RF Q** square collar is formed by two shells joined by cylindrical headed cross-slotted screws.

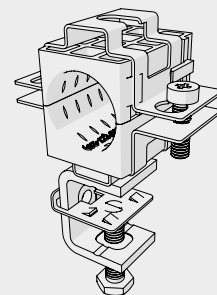
The parts are pre-assembled and without any loose parts. A  $\phi 8,5$  hole allows the installation of M8 screws.

Combined with **MAM**, **MBM**, **MCM** and **MIM** multidirectional clamps, **BAM** socles or **GOP** round collar it allows fastenings on any structure with any orientation.

### RF Q - Collier Carré Avec Selles Calibrées SAS/SAT

Le collier **RF Q**, à section carrée, est formé de deux coquilles unies par des vis M6 à tête cylindrique avec coupe en croix/tournevis.

Les composants sont assemblés et assurés afin de faciliter au maximum les opérations de montage. Un trou de  $\phi 8,5$  permet la fixation à l'aide des vis M8. Couplé aux attaches multidirectionnelles **MAM**, **MBM**, **MCM** et **MIM** aux bases **BAM** ou au collier **GOP** permet des fixations aisées sur n'importe quelle structure et dans orientation.

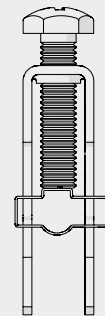
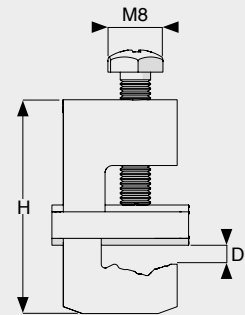


RFQ + MIM 8

CODE	ARTICLE	$\phi D$	L	H	BOX	WEIGHT
61 1527 0011	RF Q 1x11	10 - 11	22	36	50	90
61 1527 0013	RF Q 1x13	12 - 13	22	36	50	90
61 1527 0014	RF Q 1x1/2" S (14)	13 - 14	22	36	50	90
61 1527 0038	RF Q 1x3/8" (16)	15 - 16	22	36	50	88
61 1527 0012	RF Q 1x1/2" (17)	16 - 17	22	36	50	86
61 1527 0058	RF Q 1x5/8" (23)	21 - 23	34	48	50	114
61 1527 0027	RF Q 1x7/8" S (27)	26 - 27	34	48	50	112
61 1527 0078	RF Q 1x7/8" (28)	27 - 28	34	48	50	110
61 1527 1178	RF Q 1x7/8 M (30)	29 - 30	34	48	50	108
61 1527 0118	RF Q 1x1.1/8" (38)	36 - 38	46	58	50	150
61 1527 0114	RF Q 1x1.1/4" (40)	39 - 40	46	58	50	150
61 1527 0148	RF Q 1x1.5/8" S (49)	48 - 49	58	68	25	187
61 1527 0158	RF Q 1x1.5/8" (52)	50 - 52	58	68	25	186
61 1527 0406	RF Q 4x6	5 - 6	22	36	50	110
61 1527 0408	RF Q 4x8	7 - 8	22	36	50	106
61 1527 0409	RF Q 4x9	8 - 9	22	36	50	102
61 1527 0411	RF Q 4x11	10 - 11	34	48	50	102
61 1527 0412	RF Q 4x1/2" (17)	16 - 17	46	58	50	130

# MOT 8

## Socles



### MATERIAL

AISI 304 Stainless Steel

### MOT 8 - Copper Wire Fastener Rope $\phi$ 6-10 (16-70 mm<sup>2</sup>)

To fix copper wire ropes  $\phi$  6-10 mm (25 - 50 - 70 mm<sup>2</sup>) to various supports.

#### Description:

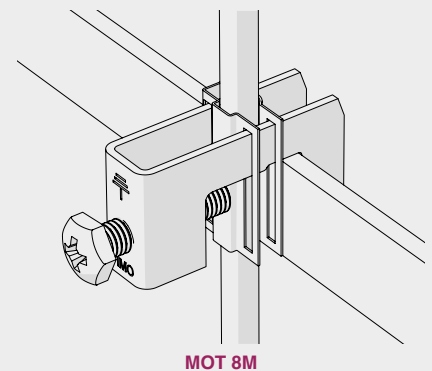
1. Steel bow
2. cable protection clip  $\phi$  6-10
3. M8 locking screw

### MOT 8 - Attache Fixe-corde Corde $\phi$ 6-10 (16-70 mm<sup>2</sup>)

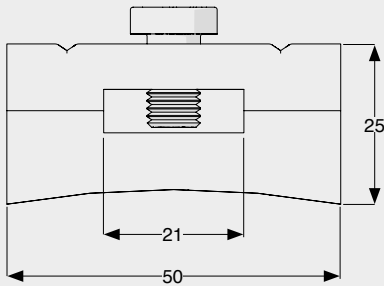
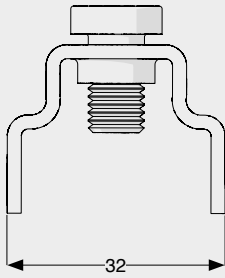
Pour la fixation de cordes en cuivre nu  $\phi$  6-10 mm (25 - 50 - 70 mm<sup>2</sup>) sur supports divers.

#### Description:

1. cavalier
2. clip de protection du câble  $\phi$  6-10
3. vis pousseuse M8

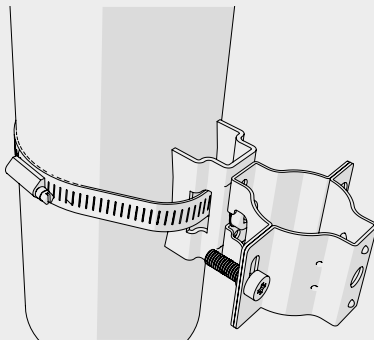


PICTURE	CODE	ARTICLE	COPPER WIRES d	D	H	FOR PROFILE	BAG	BOX	WEIGHT
	60 1519 0612	<b>MOT 8M</b>	16 - 70 mm <sup>2</sup> $\phi$ 6 - 10 mm	3 - 25	50		50	100	60
	60 1519 1612	<b>MOT 8A</b>	16 - 70 mm <sup>2</sup> $\phi$ 6 - 10 mm	30 - 40	60		50	100	65
	60 1519 2612	<b>MOT 8E</b>	16 - 70 mm <sup>2</sup> $\phi$ 6 - 10 mm	12	50		50	100	59



### MATERIAL

AISI 304 Stainless Steel



BAM + GO

### BAM 8 - Socle with Screw

The socle can be applied with stainless steel strips **BIT 19** or **FAS** and **FAU** hose clamps to various structures like poles and pylons, to create fastening points for subsequent installations. A M8 hole with screw, allows the application of stirrups, collars, etc.

### BAM 8 - Socle avec Vis

Le socle est fixé à l'aide de rubans **BIT 19** ou de bandes **FAS** et **FAU**, à diverses structures telles que poteaux et pylônes, pour créer des points de fixation pour les travaux et installations successives. Un trou M8 avec vis permet l'application d'étriers, de colliers, etc.

CODE	ARTICLE	MAY BE FIXED WITH	BAG	BOX	WEIGHT
61 1804 0020	BAM 8	BIT 19 FAS - FAU	20	100	64

# BAP

## Tower Adaptors



### MATERIAL

<b>Saddle</b>	P.A. U.V. Resistant Halogen Free
<b>Colour</b>	Black

### BAP - Plastic Socle for BFI 10 Threaded Bars

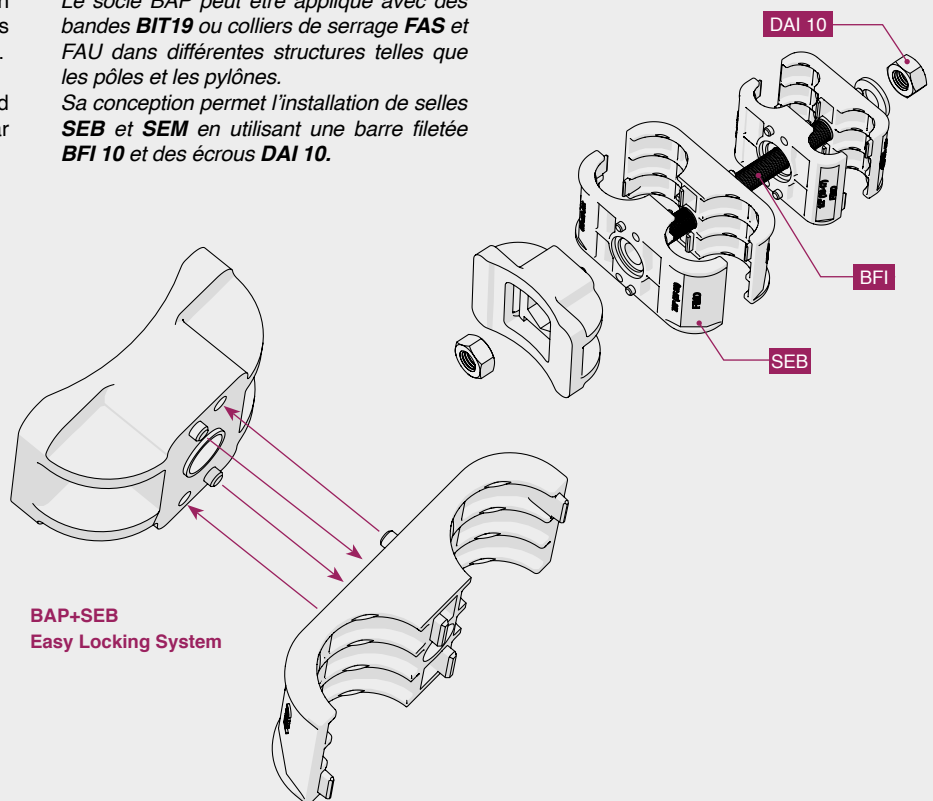
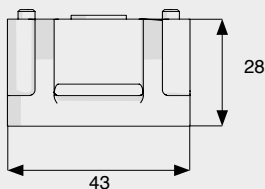
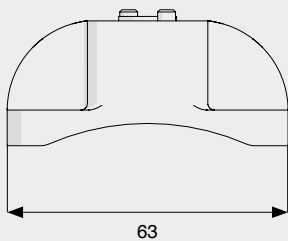
BAP 10 plastic socle can be applied with **BIT19** strips or **FAS** and **FAU** hose clamps to various structures like poles and pylons.

Its design allows the installation of **SEB** and **SEM** saddles using a **BFI 10** threaded bar and **DAI 10** nuts.

### BAP - Socle en Plastique pour Barres Filetées BFI 10

Le socle BAP peut être appliqué avec des bandes **BIT19** ou colliers de serrage **FAS** et **FAU** dans différentes structures telles que les pôles et les pylônes.

Sa conception permet l'installation de selles **SEB** et **SEM** en utilisant une barre filetée **BFI 10** et des écrous **DAI 10**.



CODE	ARTICLE	MAY BE FIXED WITH	FOR POLE Ø	BAG	BOX	WEIGHT
61 3209 1000	BAP 10	BIT 19 FAS - FAU	> 50 mm - 2 in	20	100	29

# BAP

## Tower Adaptors



### MATERIAL

<b>Saddle</b>	P.A. U.V. Resistant Halogen Free
<b>Colour</b>	Black

### BAP 10 2HC - Plastic Socle for BFI 3/8" Threaded Bars

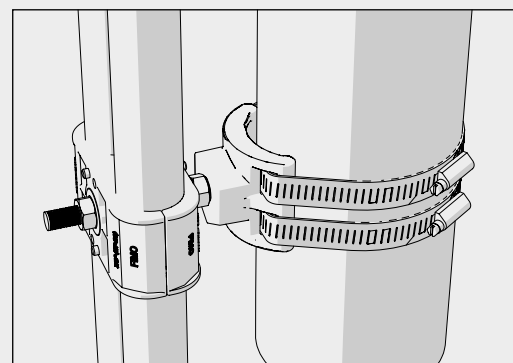
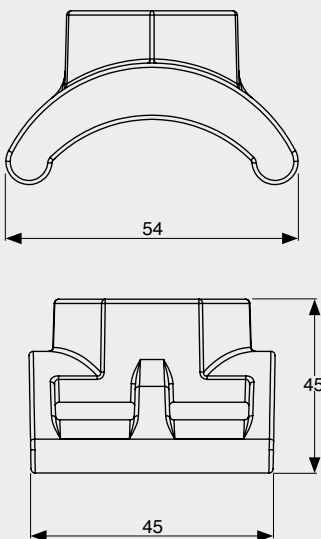
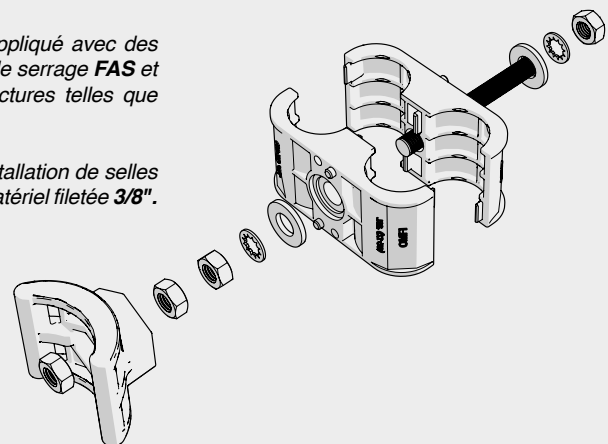
BAP 10 2HC plastic socle can be applied with **BIT19** strips or **FAS** and **FAU** hose clamps to various structures like poles and pylons.

Its design allows the installation of **SEB** and **SEM** saddles using a **3/8"** threaded hardware.

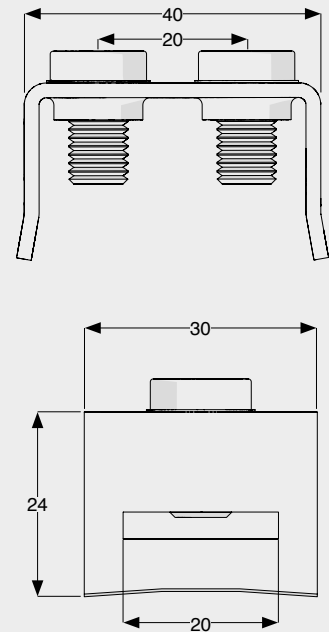
### BAP 10 2HC - Socle en Plastique pour Barres Filetées BFI 3/8"

Le socle BAP peut être appliqué avec des bandes **BIT19** ou colliers de serrage **FAS** et **FAU** dans différentes structures telles que les pôles et les pylônes.

Sa conception permet l'installation de selles **SEB** et **SEM** en utilisant matériel fileté **3/8"**.



CODE	ARTICLE	MAY BE FIXED WITH	FOR POLE Ø	BAG	BOX	WEIGHT
61 3209 2000	BAP 10 2HC	BIT 19 FAS - FAU	> 50 mm - 2 in	20	100	26



**BOM 8 - Socle with Two M8 Screws**  
**BOM 10 - Socle with One M10 Screws**

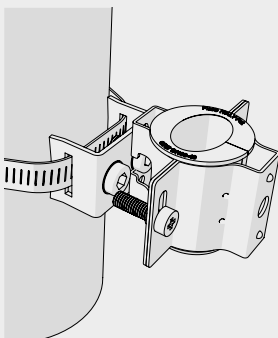
Can be applied with **BIT 19** strips or **FAS** and **FAU** hose clamps to various structures like poles and pylons, to create fastening points for subsequent installations. Two M8 holes with two screws allow the application of profile sections, brackets, stirrups, collars, etc. Version with hole M10 not provided with screw.

**BOM 8 - Socle à Deux Vis M8**  
**BOM 10 - Socle à Un Vis M10**

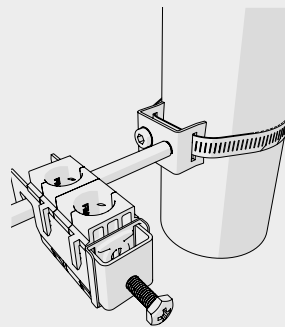
*Il se fixe à l'aide de rubans **BIT 19** ou de bandes **FAS** et **FAU**, à diverses structures telles que poteaux et pylônes, pour créer des points de fixation pour les travaux et installations successifs.*  
*Deux trous M8 à deux vis permettent l'application de profilés, d'étagères, d'étriers, de colliers, etc.*  
*Version M10 sans vis.*

### MATERIAL

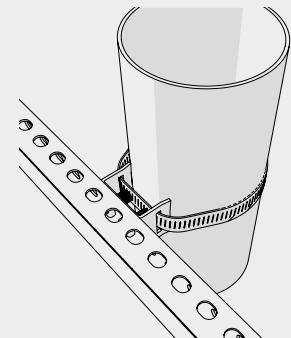
AISI 304 Stainless Steel



**BOM + GO + GRE**



**BOM + MEM + SRF**



**BOM + PCI**

CODE	ARTICLE	MAY BE FIXED WITH	BAG	BOX	WEIGHT
61 1804 0021	<b>BOM 8</b>	BIT 19 FAS - FAU	20	100	54



### BAC 8 - Socle with Bow

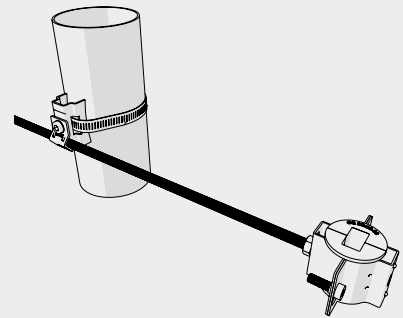
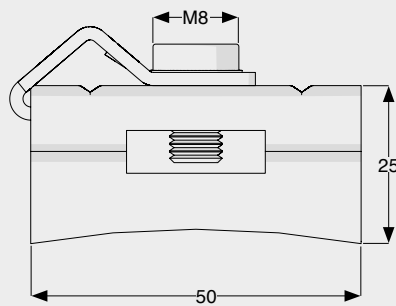
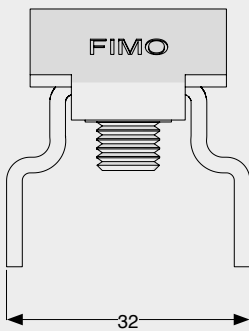
The socle can be applied through stainless steel strips **BIT 19** or hose clamps **FAS** and **FAU** to various structures like poles and pylons. The bow with M8 screw allows So-cle the fastening of brackets and threaded bars  $\varnothing$  8-12.

### BAC 8 - Socle avec Cavalier

Le socle est fixé à l'aide de rubans **BIT 19** ou de bandes **FAS** et **FAU**, à diverses structures telles que poteaux et pylônes. Le cavalier avec vis M8 permet la fixation réglable d'étagères et de barres filetées  $\varnothing$  8-12.

#### MATERIAL

AISI 304 Stainless Steel



BAC + FAU + BFI + DAI + REI +GO + GRQ

CODE	ARTICLE	MAY BE FIXED WITH	BAG	BOX	WEIGHT
61 1804 0812	BAC 8	BIT 19 FAS - FAU	20	100	84

# SHA

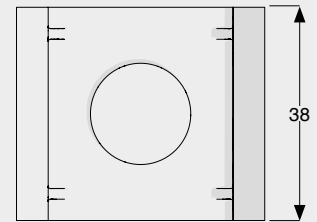
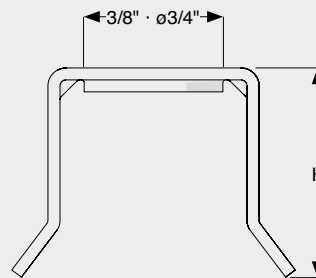
## Single Hanger Adaptor

### SHA - Single Hanger Adaptor

Socle to be applied with strips or hose clamps to various structures like poles and pylons. Available versions with two different heights (35 and 55 mm) and with two different holes (3/8" threaded and 3/4"). The versions with 3/4" holes can be used in combination with SIC clamps or IS 3/4" - 3/8" reduction insert.

### SHA - Socle Singulier

Socle à fixer à l'aide de rubans ou d'étriers sur diverses structures telles que poteaux ou pylônes. Ils sont disponibles en versions à deux hauteurs différentes (35 et 55 mm) et deux trous différents (3/8" fileté et 3/4"). Les versions avec trou de 3/4" peuvent être utilisées en combinaison aux serre-câbles SIC ou à l'insert de réduction IS 3/4" - 3/8".



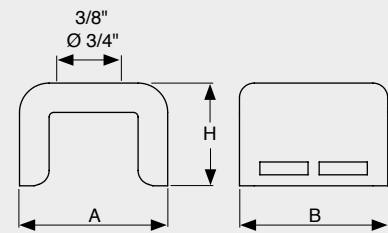
#### MATERIAL

AISI 304 Stainless Steel

CODE	ARTICLE	MAY BE FIXED WITH	H		BAG	BOX	WEIGHT
			mm	in			
85 1807 5509	SHA 55 +IS 3/4"-3/8"	HOSE CLAMP	48	1.889	10	100	100

# SHA P

## Plastic Single Hanger Adaptor



### MATERIAL

<b>Body</b>	P.A. U.V. Resistant Halogen Free
<b>Colour</b>	Black

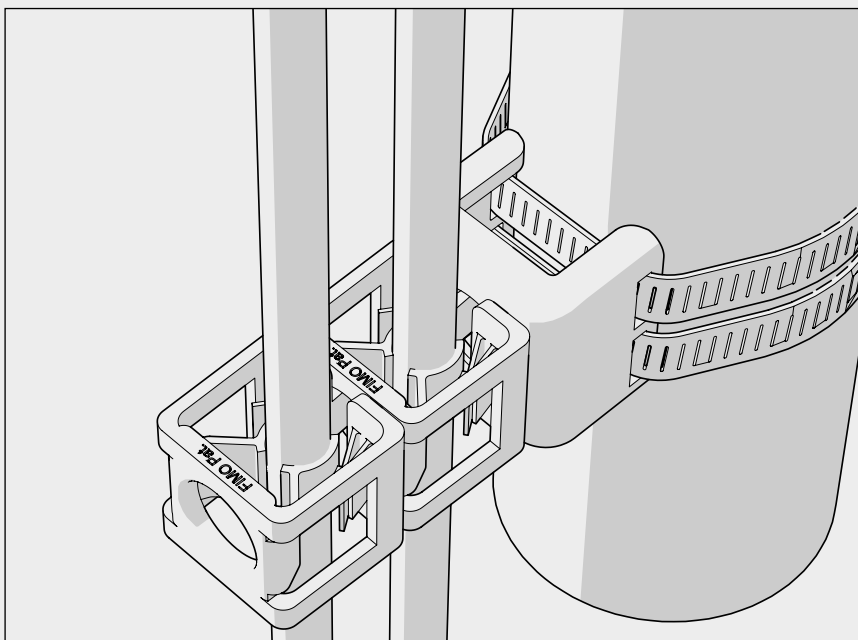
### SHA P Plastic Single Hanger Adaptor

SHA P plastic single hanger adaptor is a socle to be applied with two plastic tie wraps to various structures like poles and pylons. Available with a 3/4" hole to be used in combination with SIC P and SIC H snap-in clamps or with ISP 3/4" – 3/8" V reduction insert.

### SHA P Adaptateur de Suspension Simple en Plastique

Plaque à bornes en plastique SHA P à fixer avec deux câbles en plastique sur diverses structures telles que des poteaux et des pylônes. Disponible avec un trou de 3/4", il peut être utilisé en combinaison avec les brides câbles SIC H et SIC P ou avec l'insertion ISP 3/4" - 3/8" V.

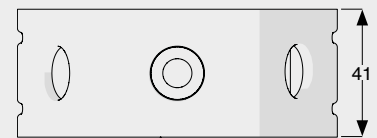
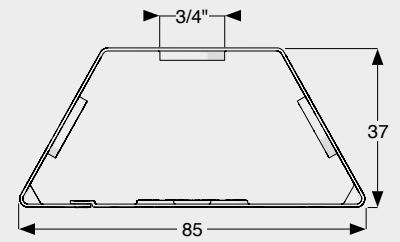
CODE	ARTICLE	A	B	H	BAG	BOX	WEIGHT (gr)
61 1807 2819	SHA 28-3/4" P	40	40	28	10	100	15



**SHA 28-3/4" P + SIC P on pole installed with plastic hose clamps**

# MHA

## Multi Hanger Adaptor



### MHA - Multi Hanger Adaptor

Can be applied with strips or hose clamps to various structures like poles and pylons. The MHA adaptor creates three multidirectional fixing points for SIC clamps.

### MHA - Socle Multiple

*Il se fixe à l'aide de rubans ou d'étriers à des structures diverses telles que poteaux ou pylônes. Le socle MHA crée un triple point de fixation multidirectionnel pour les serre-câbles SIC.*

### MATERIAL

AISI 304 Stainless Steel

CODE	ARTICLE	MAY BE FIXED WITH	BAG	BOX	WEIGHT
85 1004 9003	MHA 3x3/4"	STEEL BAND	10	100	117

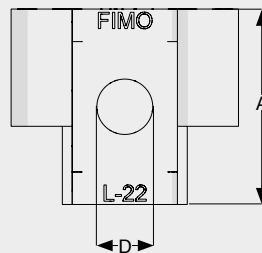
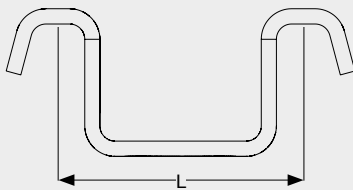


### APM - Adaptor

To fix sRF clamps to the wall or on top of already installed clamps.  
May be fastened on poles and profiles with **FAU** or **BIT** steel strips.

### APM - Applicateur

Élément d'accrochage pour appliquer directement une attache de la série sRF ou mur ou à cheval d'attaches déjà installées.  
Applicable via ruban **FAU** ou **BIT** aux poteaux et profilés divers.



### MATERIAL

AISI 304 Stainless Steel

CODE	ARTICLE	A	L	D	FOR RF-CLAMPS	BAG	BOX	WEIGHT
61 1601 0012	APM 12	30	12	6.5	6 - 8 - 9 - 10	20	100	11
61 1601 0022	APM 22	30	22	8.5	11 - 13 - 1/2" - 3/8" - 20	20	100	26
61 1601 2234	APM 22/34	30	34	8.5	11-13-1/2"-3/8"-20-5/8"-7/8"	20	100	30
61 1601 0046	APM 46	30	46	8.5	33 - 1.1/8" - 1.1/4"	20	100	36
61 1601 4658	APM 46/58	30	58	8.5	33 - 1.1/8" - 1.1/4" - 1.5/8"	20	100	42
61 1601 0070	APM 70	30	70	8.5	2.1/4" - 62	20	100	47

# STM

## Stirrups

### STM - Stirrup

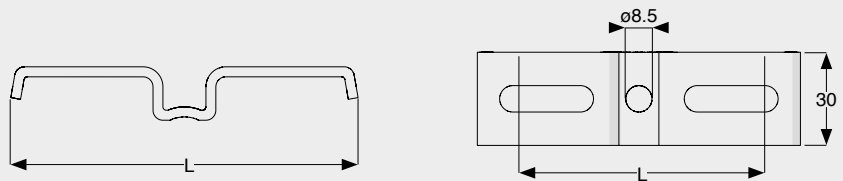
Hooking element for **sRF** clamps.  
Can be applied on poles and various structures using **BAM** fastening socles or **MAM 8/MBM 8** multidirectional clamps with an M8 socket head screw.  
The 8 x 30 mm holes also allow the application of **GO** and **RF Q** collars.

### STM - Étrier

*Il s'agit d'un élément pour l'accrochage de serre-câbles **sRF**. Il peut être appliqué aux poteaux et à différentes structures à l'aide des socles **BAM** ou des attaches multidirectionnelles **MAM 8** et **MBM 8** en utilisant une vis M8 à tête creuse. Les fentes 8 x 30 mm permettent également l'application de colliers **GO** et **RF Q**.*



MATERIAL
AISI 304 Stainless Steel



CODE	ARTICLE	L	BOX	WEIGHT
61 1803 0001	STM 105	105	50	85
61 1803 0165	STM 165	165	50	136
61 1803 0020	STM 200	200	50	143

# BIT · GIT · UIT

## Fastening System

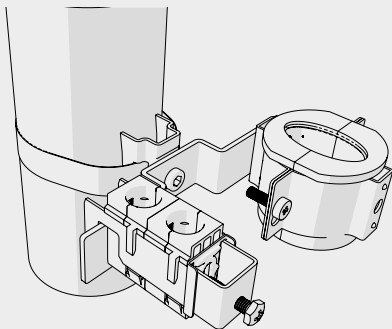
FASTENING DEVICES  
PRODUCT CATALOGUE

### Fastening System on Structures

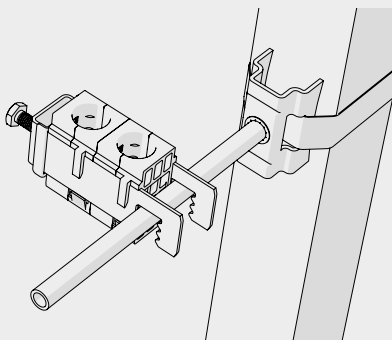
- BIT - Steel Strip
- GIT - AISI 304 Steel Clips
- UIT - Fastening Tool

### Système de Fixation sur Structures

- BIT - Ruban en Acier INOX
- GIT - Agrafe en AISI 304
- UIT - Outil de Serrage



BIT + BAM + STM + GO + SRF



BIT + BAM + MEM + SRF



CODE	ARTICLE	DESCRIPTION	BOX	WEIGHT
61 9000 0013.04	BIT 13/4 (AISI 304)	Steel strip 13x0,7 mm (1/2") - 30 m rolls in box		2400
61 9000 0016	BIT 16/4 (AISI 304)	Steel strip 16x0,7 mm (5/8") - 30 m rolls in box	1(=30m)	3000
61 9000 0206.04	BIT 19/4 (AISI 304)	Steel strip 19x0,76 mm (3/4") - 30 m rolls in box		3600
61 9000 0213.04	GIT 13/4			9
61 9000 0216	GIT 16/4	Steel Clips AISI 304	100	12
61 9000 0256.04	GIT 19/4			14
61 9000 0001	UIT 19	Fastening tool	1	1850

# FAS · FAU

## Hose Clamps

FASTENING DEVICES  
PRODUCT CATALOGUE



### FAS - Hose Clamp

Strip width T= 14 mm  
Strip Thickness S= 0.8 mm  
Steel Strip T= 14 x 0.8 mm

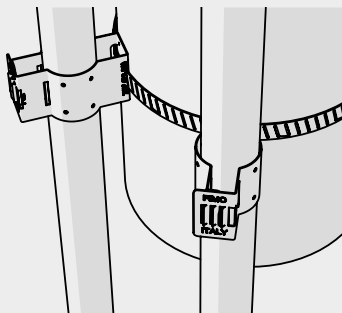
### FAS - Collier Serre-tubes

Largeur Bande T= 14 mm  
Épaisseur Bande S= 0.8 mm  
Bande D'Acier T= 14 x 0.8 mm

#### MATERIAL

AISI 304 Stainless Steel

CODE	ARTICLE	øD	T	BAG	BOX	WEIGHT
61 9000 9373	FAS 83/14	63 - 83	14	50	100	26
61 9000 9374	FAS 98/14	78 - 98	14	50	100	28
61 9000 9375	FAS 113/14	93 - 113	14	50	100	31
61 9000 9376	FAS 128/14	108 - 128	14	50	100	35
61 9000 9377	FAS 143/14	123 - 143	14	50	100	53
61 9000 9378	FAS 158/14	138 - 158	14	50	100	65
61 9000 9379	FAS 173/14	153 - 173	14	50	100	77
61 9000 9380	FAS 183/14	168 - 188	14	50	100	89
61 9000 9381	FAS 203/14	183 - 203	14	50	100	107



### FAU + SCC

### TSR

#### MATERIAL

AISI 430 Stainless Steel



### FAU / FAL - Endless Hose Clamp

Steel strip to be cut to measure.  
Package: steel strip + TSR locking screws.

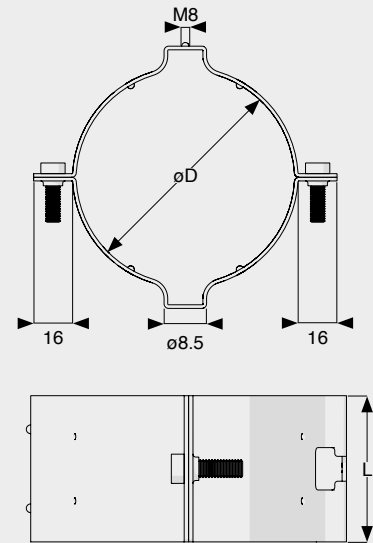
### FAU/FAL - Collier Serre-tubes à Ruban Continu

Ruban d'acier à couper sur mesure.  
Package: bande d'acier + têtes de serrage TSR.

CODE	ARTICLE	LENGTH	øD	T	BAG	BOX	WEIGHT
61 9000 5015	FAU 150/14	0,6 m	50 - 150	14	10 FAU + 10 TSR	50	605
61 9000 5080	FAU 800/14	3 m	-	14	1 FAU + 6 TSR	50	330
61 9000 5200	FAU 2000/14	2 m	-	14	10 FAU + 10 TSR	50	1625
61 9000 3725	FAL 14/25	25 m	-	14	1 FAL	1	1600
61 9000 0014	TSR	-	-	14	50 TSR	1	1000

# GO

## Collars



### MATERIAL

AISI 304 Stainless Steel

### GO - Round Collar

The GO collar is formed by two shells connected by two cylindrical headed M6 screws with cross/screwdriver cut. It is pre-assembled in order to avoid losing any parts. A central  $\varnothing 8,5$  mm hole allows the installation on supports with M8 screws. The M8-threaded hole of the upper shell allows more fastenings on the top.

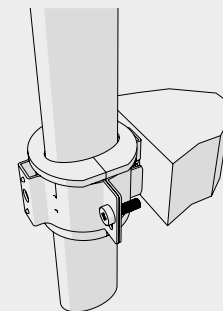
The nominal diameter D fits with the outer diameters of the **GRE**, **GRR** and **GRQ** elastic cushions.

### GO - Collier Fond

*Le collier GO est formé de deux coquilles unies par des vis M6 à tête cylindrique en croix/ tournevis. Le tout est assemblé de façon à permettre le montage sans risque de perdre les petits éléments.*

*Un trou central  $\varnothing 8,5$  mm sur la coquille inférieure permet la fixation à des supports à l'aide de vis M8. La coquille supérieure est équipée d'un trou central M8 pour d'autres combinaisons.*

*Le diamètre nominal D correspond à celui externe des garnitures élastiques **GRE**, **GRR** et **GRQ**.*

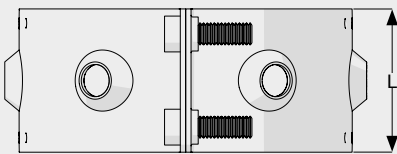
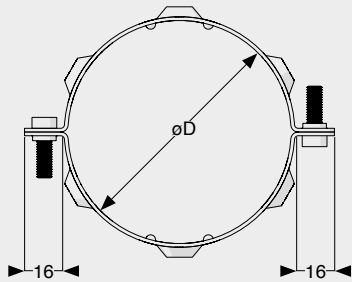


GO + ANCHOR

CODE	ARTICLE	D	T	BAG	BOX	WEIGHT
61 1518 0038	GO 38	38	40	20	100	102
61 1518 0050	GO 50	50	40	20	100	122
61 1518 0062	GO 62	62	40	20	100	136
61 1518 0080	GO 80	80	40	20	100	162
61 1518 0090	GO 90	90	40	10	50	216
61 1518 0100	GO 100	100	40	10	50	238

# GOP

## Collars



### MATERIAL

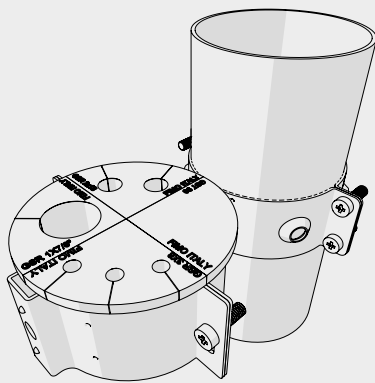
AISI 304 Stainless Steel

### GOP - Pole Collar

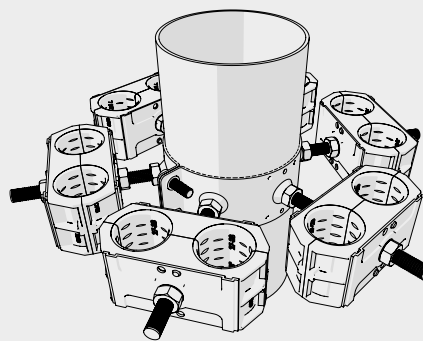
Collar with 6 holes. Allows installation of **MEM** brackets, **GO** collars, **UCO** and **RF Q** clamps, **APM** adaptors and **STM** stirrups. The two shells are connected by M6 screws.

### GOP - Collier pour Poteaux

*Demi-collier supérieur et inférieur à 6 trous sans bord à 90° pour logement vis M8, pour accueillir les étagères **MEM**, les applicateurs **APM**, et les étriers **STM**, les colliers **GO**, les serre-câbles **UCO** et **RF Q**. Les deux coquilles sont unies par des vis M6.*



**GOP + GO + GSR**



**GOP + SAB**

CODE	ARTICLE	D	BAG	BOX	WEIGHT
61 1516 0060	<b>GOP 60</b>	2" = 60 mm	10	50	130
61 1516 0076	<b>GOP 76</b>	2.1/2" = 76 mm	10	50	160
61 1516 0090	<b>GOP 90</b>	3" = 90 mm	10	50	187
61 1516 0114	<b>GOP 114</b>	4" = 114 mm	10	50	210
61 1516 0140	<b>GOP 140</b>	5" = 140 mm	10	50	265

# ANG 8 - SNO 8

## Supports

FASTENING DEVICES  
PRODUCT CATALOGUE

### ANG 8 - Angular

With M8 threaded hole and  $\varnothing$  9 hole for installations on different FIMO components.

### ANG 8 - Cornière

Équipé de filet M8 et de trou  $\varnothing$  9 pour fixations à des supports FIMO divers.

#### MATERIAL

AISI 304 Stainless Steel



CODE	ARTICLE	DESCRIPTION	BOX	WEIGHT
61 1804 0008	ANG 8	Angular with M8 and $\varnothing$ 9 holes	20	22



### SNO 8 - Angle Bracket

Formed by two ANG 8 angulars connected through a socket head screw and an elastic washer. Ideal for multidirectional installations.

### SNO 8 - Articulation

Formé par deux cornières ANG 8 couplées à l'aide de vis à tête creuse et rondelle élastique.  
Idéale pour fixations orientables.

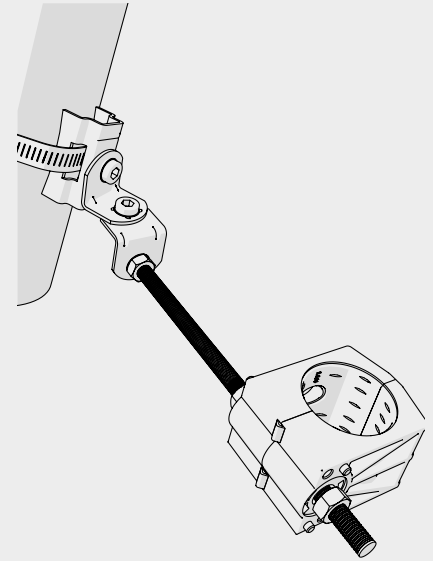
#### MATERIAL

AISI 304 Stainless Steel

CODE	ARTICLE	DESCRIPTION	BOX	WEIGHT
61 1804 1008	SNO 8	Angle bracket with M8 and $\varnothing$ 9 holes	20	51

# SUS 8

## Supports



SUS + SAM

### SUS 8 - Mounting Kit

Complete flexible device, orientable on many directions, for fastening of accessories. Adjustable to different lengths.

### SUS 8 - Kit de Montage

*Dispositif complet articulé, orientable sur plusieurs axes, pour la fixation d'accessoires. Longueur réglable.*

### MATERIAL

AISI 304 Stainless Steel

CODE	ARTICLE	DESCRIPTION	MEASURES	BOX	WEIGHT
61 1804 8208	SUS 8/200	Orientable device	M8 x 200	20	141
61 1804 8308	SUS 8/300		M8 x 300	20	171
61 1804 8408	SUS 8/400		M8 x 400	20	181

# HANGER KIT BAC

## Fastening System

FASTENING DEVICES  
PRODUCT CATALOGUE



### MATERIAL

<b>Metal Parts</b>	AISI 304 Stainless Steel
<b>Cushion</b>	Black EPDM, U.V. Resistant

### Fastening System on Pylon For Flexible Waveguides

Antivibration hanger kit for fastening waveguides near antennas, even in harsh environments. Twistable and adjustable to different lengths.

#### Components:

- BAC 8** - Socle with bow
- FAU 150/14** - Endless hose clamp
- BFI 8x400** - Threaded bar
- DAI 8** - M8 hexagonal nut
- REI 8** - Elastic washer
- GO** - Round collar
- GRQ** - Cushion

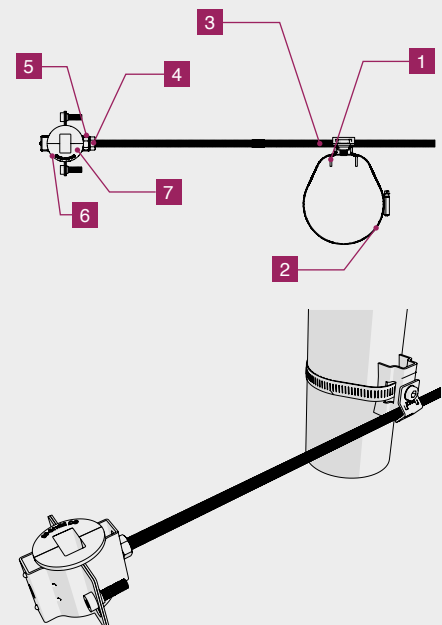
### Système de Fixation sur Poteaux de Guides d'Onde Flexibles

Système anti-vibration pour la fixation et la protection de guides d'onde flexibles à proximité des antennes, même en présence de conditions environnementales extrêmes.

Réglage en longueur et orientable.

#### Composition:

- BAC 8** - Socle avec cavalier
- FAU 150/14** - Collier serre-tubes à ruban continu
- BFI 8x400** - Tige filetée
- DAI 8** - Écrou hexagonal M8
- REI 8** - Rondelle élastique
- GO** - Collier rond
- GRQ** - Garniture



CODE	ARTICLE	GO ø D	GRQ A x B	BAG	BOX	WEIGHT
61 1653 0320	Kit WR 320/BAC	38	11 x 9	1	25	432
61 1653 0221	Kit WR 220/BAC	38	19 x 12	1	25	423
61 1653 0180	Kit WR 180/BAC	38	23 x 13	1	25	419
61 1653 0140	Kit WR 140/BAC	38	25 x 15	1	25	416
61 1653 0121	Kit WR 120/BAC	38	28 x 19	1	25	416
61 1653 0100	Kit WR 100/BAC	38	31 x 17	1	25	405
61 1653 0084	Kit WR 84/BAC	50	38 x 19	1	25	463
61 1653 0070	Kit WR 70/BAC	62	45 x 25	1	25	515
61 1653 0058	Kit WR 58/BAC	90	52 x 32	1	25	738
61 1653 0048	Kit WR 48/BAC	90	62 x 33	1	25	781
61 1653 0040	Kit WR 40/BAC	100	78 x 43	1	25	720

# HANGER KIT MIM

Fastening System

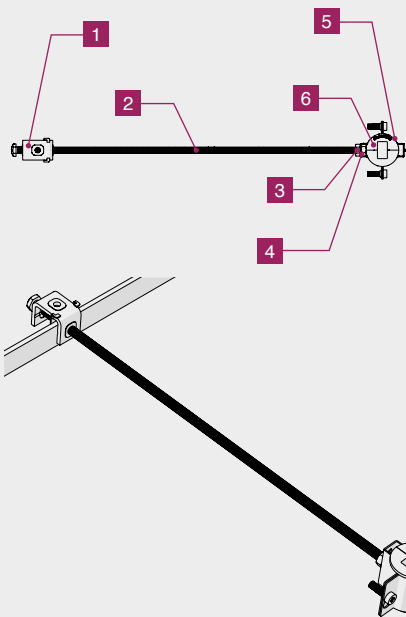


FASTENING DEVICES  
PRODUCT CATALOGUE



## MATERIAL

<b>Metal Parts</b>	AISI 304 Stainless Steel
<b>Cushion</b>	Black EPDM, U.V. Resistant



### Fastening System For Waveguides on Profiles

Antivibration hanger kit for fastening waveguides near antennas, even in harsh environments. Twistable and adjustable to different lengths.

#### Components:

1. **MIM 8/35** - Self-locking M8 Maxi Clamp
2. **BFI 8x400** - Threaded bar
3. **DAI 8** - M8 hexagonal nut
4. **REI 8** - Elastic washer
5. **GO** - Round collar
6. **GRQ** - Cushion

### Système de Fixation Pour Guides d'Onde et Pylônes

Système anti-vibration pour la fixation et la protection de guides d'onde flexibles à proximité des antennes, même en présence de conditions environnementales extrêmes.

Réglage en longueur et orientable.

#### Composition:

1. **MIM 8/35** - Maxi attache M8 autobloquante
2. **BFI 8x400** - Tige filetée
3. **DAI 8** - Écrou hexagonal M8
4. **REI 8** - Rondelle élastique
5. **GO** - Collier rond
6. **GRQ** - Garniture

CODE	ARTICLE	GO ø D	GRQ A x B	BAG	BOX	WEIGHT
61 1656 0320	Kit WR 320/MIM	38	11 x 9	1	25	412
61 1656 0221	Kit WR 220/MIM	38	19 x 12	1	25	403
61 1656 0180	Kit WR 180/MIM	38	23 x 13	1	25	400
61 1656 0140	Kit WR 140/MIM	38	25 x 15	1	25	295
61 1656 0121	Kit WR 120/MIM	38	28 x 19	1	25	295
61 1656 0100	Kit WR 100/MIM	38	31 x 17	1	25	284
61 1656 0084	Kit WR 84/MIM	50	38 x 19	1	25	444
61 1656 0070	Kit WR 70/MIM	62	45 x 25	1	25	496
61 1656 0058	Kit WR 58/MIM	90	52 x 32	1	25	719
61 1656 0048	Kit WR 48/MIM	90	62 x 33	1	25	762
61 1656 0040	Kit WR 40/MIM	100	78 x 43	1	25	568

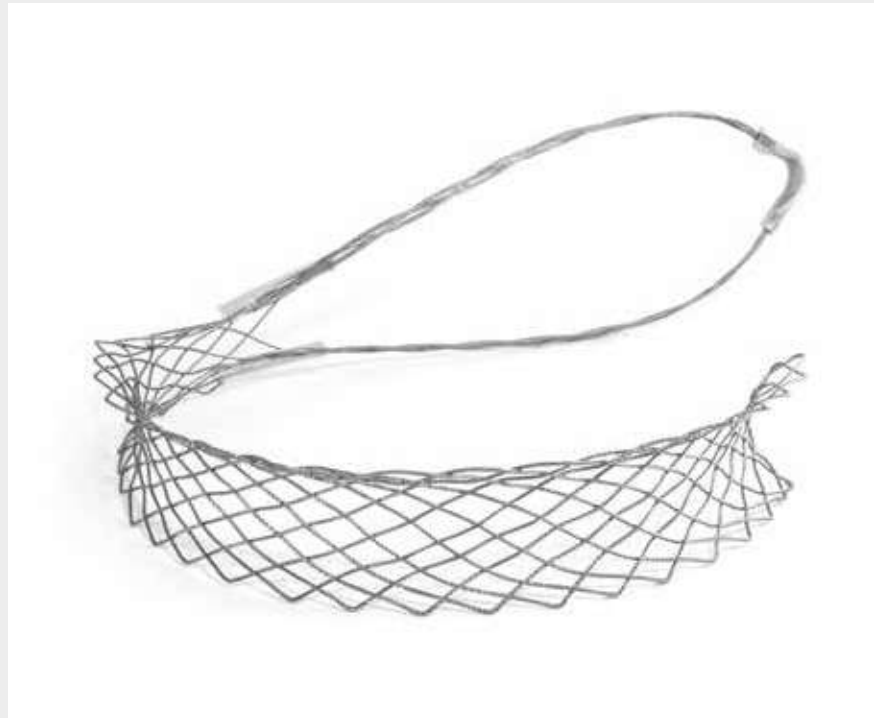
## Hoisting Grips

### CLS - Lace up Hoisting Grips for Coaxial Cables and Elliptical Waveguides

Lace up hoisting grips are designed for hoisting cable or waveguide safely up a tower so that mechanical connection to an antenna can be made.

### CLS - Chaussettes de Levage Ouvertes pour Câbles Coaxiaux et Guides d'Onde Elliptiques

Les chaussettes de levage ouvertes ont été spécialement conçues pour soulever le câble ou le guide d'onde dans des conditions de sécurité sur le pylône et pour fournir un support permanent pour réaliser la liaison mécanique de l'antenne.



#### MATERIAL

AISI 304 Stainless Steel

CODE	ARTICLE	LOOPS	ø D	FOR RFS	BAG	BOX	WEIGHT
61 9000 0009	CLS 9	1	8÷9	-	1	10	75
61 9000 0011	CLS 11	1	10÷11	-	1	10	90
61 9000 0017	CLS 17	1	16÷17	-	1	10	150
61 9000 0022	CLS 22	1	21÷22	-	1	1	185
61 9000 0028	CLS 28	1	27÷28	-	1	1	185
61 9000 0040	CLS 40	1	39÷40	-	1	10	207
61 9000 0052	CLS 52	1	50÷52	-	1	10	212
61 9000 0060	CLS 60	1	60÷62	-	1	10	468
61 9000 0090	CLS 90	2	90÷92	4" HCA 400	1	1	1400
61 9000 0114	CLS 114	2	114÷116	5" HCA 495	1	1	2142
61 9000 0170	CLS 170	2	169÷171	6.1/8" HCA 618	1	1	2500



### CLSC - Pre Laced Hoisting Grips for Co-axial Cables and Elliptical Waveguides

Pre laced Hoisting grips are designed for hoisting cable or waveguide safely up a tower so that mechanical connection to an antenna can be made.

### CLSC - Chaussettes de Levage Fermées pour Câbles Coaxiaux et Guides d'Onde Elliptiques

Les chaussettes de levage fermées ont été spécialement conçues pour soulever le câble ou le guide d'onde dans des conditions de sécurité sur le pylône et pour fournir un support permanent pour réaliser la liaison mécanique de l'antenne.

#### MATERIAL

AISI 304 Stainless Steel

CODE	ARTICLE	LOOPS	ø D	BAG	BOX	WEIGHT
61 9010 0009	CLSC 9	1	8÷9	1	10	75
61 9010 0017	CLSC 17	1	16÷17	1	10	150
61 9010 0028	CLSC 28	1	27÷28	1	1	185
61 9010 0040	CLSC 40	1	39÷40	1	10	165
61 9010 0052	CLSC 52	1	50÷52	1	10	212

# KIT BFI 3/8"

## Threaded Rod Kit

FASTENING DEVICES  
PRODUCT CATALOGUE



### MATERIAL

Hardware

AISI 304  
Stainless Steel

### KIT BFI 3/8" - Threaded Rod Kits

BFI 3/8" Threaded rod kits can be used to install FIMO saddles on flat irons with holes. Each kit contains a threaded bar, three nuts, three flat washers and three lock washers.

### KIT BFI 3/8" - Kits Tige Filetée

*Les kits tige filetée BFI 3/8" peuvent être utilisés pour installer les selles FIMO sur des plaques perforées. Chaque kit contient une tige filetée, trois écrous, trois rondelles plates et trois rondelles élastiques.*

CODE	ARTICLE	LENGTH (OF THREADED BAR)	BAG
85 1000 7004	KIT BFI 3/8" x 4"	4 inch	10 sets of each
85 1000 7006	KIT BFI 3/8" x 6"	6 inch	10 sets of each
85 1000 7008	KIT BFI 3/8" x 8"	8 inch	10 sets of each
85 1000 7012	KIT BFI 3/8" x 12"	12 inch	10 sets of each

# KIT BFI M10

## Threaded Rod Kits

FASTENING DEVICES  
PRODUCT CATALOGUE



### MATERIAL

Hardware      AISI 304  
Stainless Steel

### KIT BFI M10 - Threaded Rod Kits

BFI M10 Threaded rod kits can be used to install FIMO saddles on flat irons with holes. Each kit contains a threaded bar, three nuts, three flat washers and two lock washers.

### KIT BFI M10 - Kits Tige Filetée

*Les kits tige filetée BFI M10 peuvent être utilisés pour installer les selles FIMO sur des plaques perforées. Chaque kit contient une tige filetée, trois écrous, trois rondelles plates et deux rondelles élastiques.*

CODE	ARTICLE	LENGTH mm	BAG
61 1538 1080	KIT BFI M10 x 80	80	10
61 1538 1085	KIT BFI M10 x 85	85	10
61 1538 1095	KIT BFI M10 x 95	95	10
61 1538 1010	KIT BFI M10 x 100	100	10
61 1538 1011	KIT BFI M10 x 110	110	10
61 1538 1013	KIT BFI M10 x 130	130	10
61 1538 1015	KIT BFI M10 x 150	150	10
61 1538 1017	KIT BFI M10 x 170	170	10
61 1538 1175	KIT BFI M10 x 175	175	10
61 1538 1018	KIT BFI M10 x 180	180	10
61 1538 1020	KIT BFI M10 x 200	200	10
61 1538 1022	KIT BFI M10 x 220	220	10
61 1538 1025	KIT BFI M10 x 250	250	10
61 1538 1028	KIT BFI M10 x 280	280	10
61 1538 1030	KIT BFI M10 x 300	300	10

# CAP

## Stud End Cup

FASTENING DEVICES  
PRODUCT CATALOGUE



### MATERIAL

**CAP** PVC Polymer

**Colour** Black

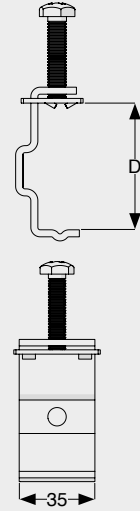
### CAP 10 - M10 Stud End Cap

CAP 10 is a protective device to be applied on M10 and 3/8" rods' ends.

### CAP 10 - Bouchon pour tiges filetées M10

*Le bouchon CAP 10 est un dispositif de protection à appliquer sur les extrémités des barres filetées M10 et 3/8".*

CODE	ARTICLE	BAG
61 3314 0010	CAP 10	100



### MATERIAL

AISI 304 Stainless Steel

### MPS - Clamp for Ladders

Hanging element which allows additional side fixings to ladders. It can be used in combination with brackets, threaded bars, collars and other accessories. It is useful when ladders are overcrowded.

#### Description:

- hanging bow
- protection and stabilization plate
- M8 locking screw
- Ø 8,5 hole for M8 screws/threads

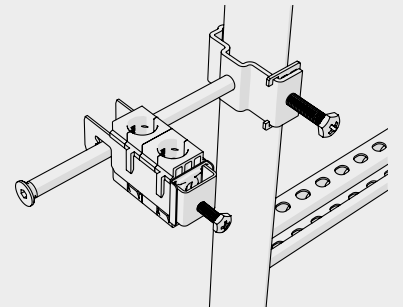
### MPS - Attache pour Petite Échelle

Élément pour s'accrocher sur une petite échelle de petites échelles pour montages supplémentaires latéraux.

Elle peut être combinée à des étagères, des tiges filetées, des colliers et autres accessoires. Utile pour l'exploitation d'espaces sur des escaliers encombrés de câbles.

#### Description:

- cavalier d'accrochage
- plaque de protection et de stabilisation
- vis de blocage M8
- trou Ø 8,5 pour vis/filets M8



MPS + MEM + SRF

CODE	ARTICLE	COMBINABLE WITH	D	BAG	BOX	WEIGHT
61 1812 1000	MPS	MEM - BFI - GO - GOP APM - STM	35 - 55	20	100	100

# ACCESSORIES

FASTENING DEVICES  
PRODUCT CATALOGUE

## Stainless Steel Accessories








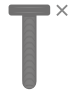
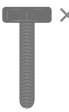
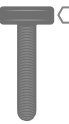
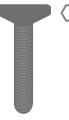




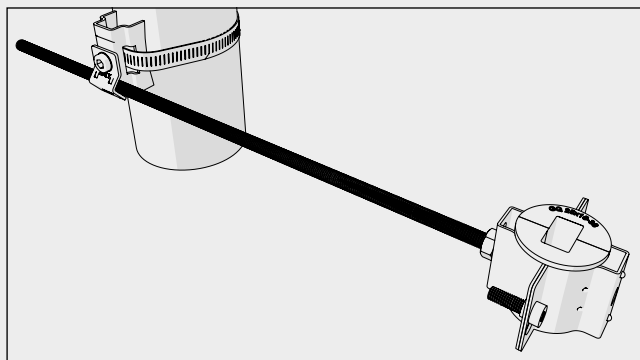
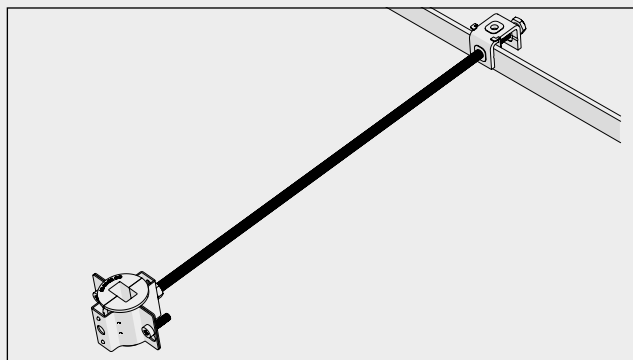
FIGURE	CODE	ARTICLE	SUITABLE TO	MEASURE	BAG	BOX	WEIGHT
 <p><b>BFI 8x</b> M8 Threaded bars</p>	61 2954 8050	<b>BFI 8x 50</b>	LCO - LCC - LCP - LCL UCO - UCC - UCP - UCL USO - USC - USP - USL SAB - SAC - SAL - SAM MCO - MCC - MCP - MCL	M8 x 50	10	10	17
	61 2954 8075	<b>BFI 8x 75</b>		M8 x 75	10	100	25
	61 2954 8100	<b>BFI 8x 100</b>		M8 x 100	10	100	34
	61 2954 8125	<b>BFI 8x 125</b>		M8 x 125	10	100	45
	61 2954 8150	<b>BFI 8x 150</b>		M8 x 150	10	100	55
	61 2954 8200	<b>BFI 8x 200</b>		M8 x 200	10	100	68
	61 2954 8250	<b>BFI 8x 250</b>		M8 x 250	10	100	85
	61 2954 8300	<b>BFI 8x 300</b>		M8 x 300	10	100	98
	61 2954 8400	<b>BFI 8x 400</b>		M8 x 400	10	100	110
	61 2954 8000	<b>BFI 8x 1000</b>		M8 x 1000	10	100	150
 <p><b>BFI 10x</b> M10 Threaded bars</p>	61 2954 1050	<b>BFI 10x 50</b>	LCO - LCC - LCP - LCL UCO - UCC - UCP - UCL USO - USC - USP - USL SAB - SAC - SAL - SAM MCO - MCC - MCP - MCL	M10 x 50	10	100	24
	61 2954 1075	<b>BFI 10x 75</b>		M10 x 75	10	100	40
	61 2954 1100	<b>BFI 10x 100</b>		M10 x 100	10	100	48
	61 2954 1125	<b>BFI 10x 125</b>		M10 x125	10	100	60
	61 2954 1150	<b>BFI 10x 150</b>		M10 x 150	10	100	73
	61 2954 1175	<b>BFI 10x 175</b>		M10 x 175	10	100	85
	61 2954 1200	<b>BFI 10x 200</b>		M10 x 200	10	100	96
	61 2954 1250	<b>BFI 10x 250</b>		M10 x 250	10	100	122
	61 2954 1300	<b>BFI 10x 300</b>		M10 x 300	10	100	140
	 <p><b>DAI</b> Hexagonal nuts UNI 5588</p>	61 2918 2249		<b>DAI 8</b>	LCO - LCC - LCP - LCL UCO - UCC - UCP - UCL USO - USC - USP - USL SAB - SAC - SAL - SAM MCO - MCC - MCP - MCL	M8	50
61 2918 2251		<b>DAI 10</b>	M10	50		1000	10
 <p><b>RPI</b> Flat washer</p>	61 2936 0008	<b>RPI 8/16</b>	MCO - MCC - MCP - MCL UCP - LCP MCP - USP USO - USC - USP - USL	ø 8,5x16	50	1000	1.5
	61 2936 0824	<b>RPI 8/24</b>		ø 8,5x24	50	1000	5.3
	61 2936 0832	<b>RPI 8/32</b>		ø 8,5x32	50	1000	12
	61 2936 0010	<b>RPI 10/20</b>		ø 10,5x20	50	1000	3
	61 2936 3010	<b>RPI 10/30</b>		ø 10,5x30	50	1000	8
 <p><b>REI</b> Elastic washer DIN 6798</p>	61 2917 0008	<b>REI 8</b>	LCO - LCC - LCP - LCL UCO - UCC - UCP - UCL USO - USC - USP - USL	ø 8x14	50	1000	0.6
	61 2917 0010	<b>REI 10</b>		ø 10x16	50	1000	0.8
 <p><b>PUC</b> Pressure flange for SAB saddles</p>	61 3228 0036	<b>PUC 36</b>	SAB 2x9 - SAB 2x11	40 x 36	20	100	12
	61 3228 0049	<b>PUC 49</b>	SAB 2x13 - SAB 2x1/2" S -SAB 2x3/8" SAB 2x1/2"	40 x 49	20	100	19
	61 3228 0070	<b>PUC 70</b>	LCL - MCL - UCL - USL SAB 2x5/8" SAB 2x7/8"	40 x 70	20	100	24
	61 3228 0093	<b>PUC 93</b>	SAB 2x1.1/8" - SAB 2x1.1/4"	40 x 93	20	100	29
	61 3228 0120	<b>PUC 120</b>	SAB 2x1.5/8"	40 x 120	20	100	40
 <p><b>PSL</b> Pressure flange for SAL saddles</p>	61 3229 4062	<b>PSL 62</b>	SAL 2x1/2"	40 x 62	20	100	24
	61 3229 4084	<b>PSL 84</b>	SAL 2x7/8"	40 x 84	20	100	30
	61 3229 4102	<b>PSL 102</b>	SAL 2x1.1/4"	40 x 102	20	100	38
	61 3229 4119	<b>PSL 119</b>	SAL 2x1.5/8"	40 x 119	20	100	44

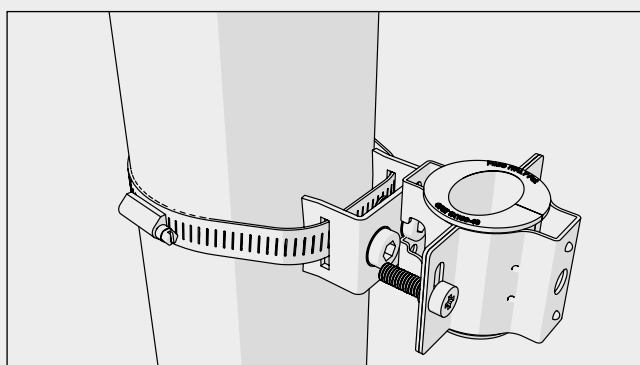
FIGURE	CODE	ARTICLE	DESCRIPTION	MEASURE	BAG	BOX	WEIGHT
	61 2919 0620	VTI 6x20	Cylinder headed screws cross/driver cut	M6 x 20	50	1000	4
	61 2902 0620	VEI 6x20	Hexagon headed screws cross/driver cut	M6 x 20	50	1000	8
	61 2902 0625	VEI 6x25		M6 x 25	50	1000	9
	61 2902 0635	VEI 6x35		M6 x 35	50	1000	10
	61 2902 0650	VEI 6x50		M6 x 50	50	1000	12
	61 2902 0660	VEI 6x60		M6 x 60	50	1000	14
	61 2902 0835	VEI 8x35		M8 x 35	50	1000	14
	61 2902 0840	VEI 8x40		M8 x 40	50	1000	16
	61 2902 0860	VEI 8x60		M8 x 60	50	1000	20
	61 2914 0620	VCI 6x20	Hexagon socket head screws	M6 x 20	50	1000	6
	61 2914 0630	VCI 6x30		M6 x 30	50	1000	8
	61 2914 0810	VCI 8x10		M8 x 10	50	1000	8
	61 2914 0814	VCI 8x14		M8 x 14	50	1000	8
	61 2914 0820	VCI 8x20		M8 x 20	50	1000	10
	61 2914 0825	VCI 8x25		M8 x 25	50	1000	12
	61 2914 8100	VCI 8x100		M8 x 100	-	100	45
	61 2920 0816	VSI 8x16		M8 x 16	50	1000	8
	61 2920 0820	VSI 8x20	Countersunk head socket screws	M8 x 20	50	1000	13
	61 2920 0825	VSI 8x25		M8 x 25	50	1000	15
	61 2920 0830	VSI 8x30		M8 x 30	50	1000	17
	61 2920 8070	VSI 8x70		M8 x 70	-	100	38
	61 2920 8100	VSI 8x100		M8 x 100	-	100	48
	61 2920 8110	VSI 8x110		M8 x 110	-	100	51
	61 2941 0812	GRI 8x12		Hexagon socket -set screws	M8 x 12	20	1000
	61 2442 0810	NPI 8/10	Nipples	M8 x 10	50	500	10
	61 2927 0008	REG 8	Grower washers	8.2x14x2 (M8)	100	1000	1.6
	61 2927 0010	REG 10		10.2x18x2.2 (M10)	100	1000	2.6
	61 3209 0118	ISP 8	Gliding M8 Inserts for PCI 40x22 sections	38x16x2	50	1000	7.5
	61 3209 0308	ISA 8	Threaded M8 Inserts	30x14x4	50	1000	11



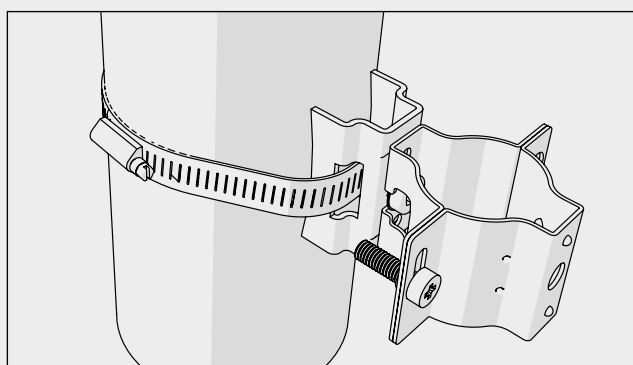
**HANGER KIT BAC**



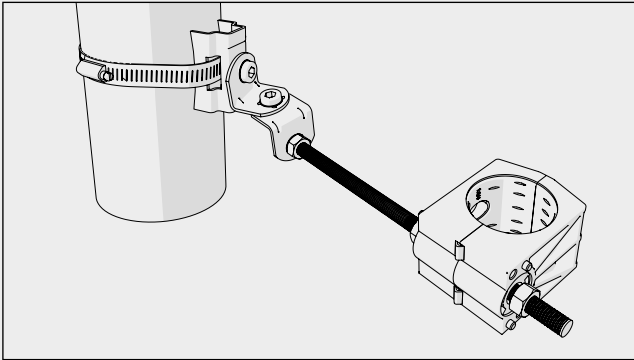
**HANGER KIT MIM**



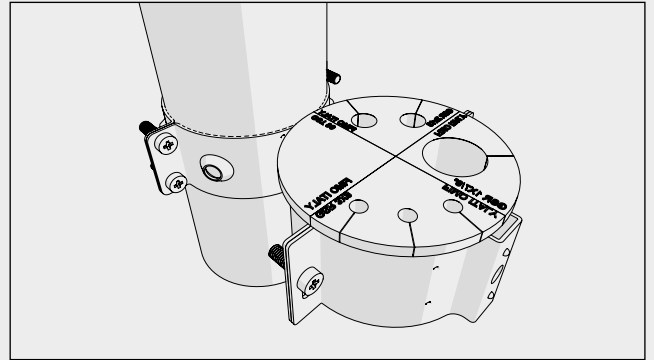
**BOM + GO + GRE**



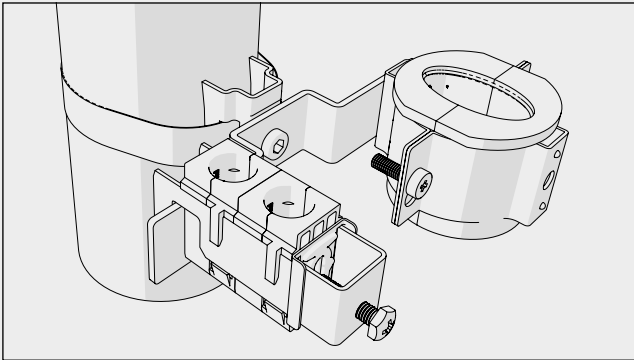
**BAM + GO**



SUS + USO



GOP + GO + GSR

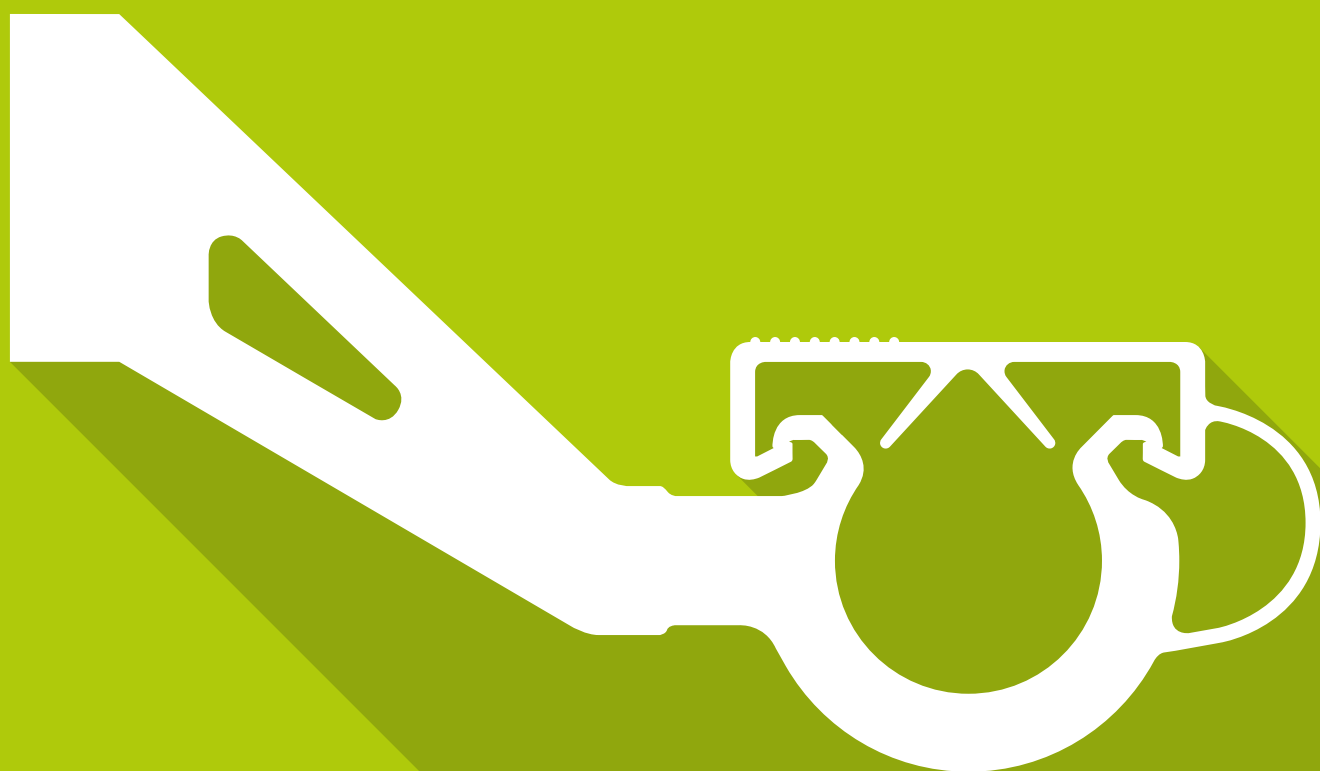


BIT + BAM + STM + GO + SRF



# Radiating Cable Fixings

Product Catalogue





# Radiating Cable Fixings

Cable Clamps for Radiating Cables. FIMO radiating cable clamps offer a wide range of solutions for a fast and secure installation of cables in railway, motorway and underground tunnels.

*Serre-câbles pour Câbles Rayonnants. Les serre-câbles pour câbles rayonnants FIMO offrent une vaste gamme de solutions pour l'installation rapide et en sûreté de câbles à l'intérieur de tunnels ferroviaires, d'autoroutes et de métros.*

# RAC

## Radiating Cable Clamps



### MATERIAL

<b>Clamp</b>	PA6V0 Self Extinguishing Halogen Free UL94-V0
<b>Operating Temperature</b>	- 40°C + 125°C
<b>Colour</b>	Black

### RAC

#### Cable Clamps for Radiating Cables

RAC cable clamps are used for the installation of radiating cables in tunnels. RAC clamps may be installed with or without spacers.

RAC cable clamps are designed with two clips coupled to a central snap-in cap.

The two clips allow a quick insertion of the cable, while the central snap-in cap assures the final locking.

RAC Cable Clamps are designed also for installations in high speed railway tunnel applications (up to 400 km/h).

### RAC

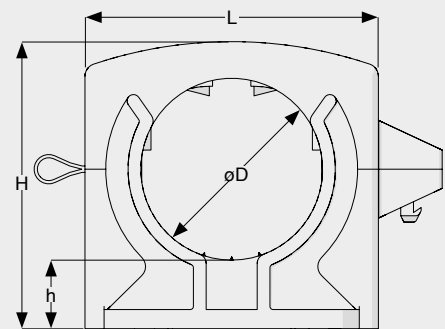
#### Serre-Câbles pour Câbles Rayonnants

Les serre-câbles RAC sont utilisés pour la fixation de câbles rayonnants aux parois de galeries ou de tunnels, directement ou à l'aide d'entretoises.

Les serre-câbles RAC sont constitués de deux clips élastiques unis à une chape centrale à fermeture à dé clic.

Les deux clips permettent un soutient rapide du câble durant l'installation.

La chape centrale, grâce à sa fermeture rapide à dé clic, assure le blocage définitif du câble. Les serre-câbles RAC sont également conçus pour un emploi dans des tunnels ferroviaires pour la haute vitesse (jusqu'à 400 km/h).



CODE	ARTICLE	CABLES	FOR CABLES øD	L	H	h	BOX	WEIGHT
61 5000 0012	RAC 1/2"	1/2"	15 - 18	46	36.5	13	50	20
61 5000 0058	RAC 5/8"	5/8"	20 - 23	46	41	13	50	22
61 5000 0078	RAC 7/8"	7/8"	27 - 29	46	45	13	50	26
61 5000 0079	RAC 7/8" M	7/8"	29 - 32	46	45	13	50	26
61 5000 0114	RAC 1.1/4"	1.1/4"	38 - 40	66	65	17	50	68
61 5000 0115	RAC 1.1/4" M	1.1/4"	40 - 43	66	65	17	50	68
61 5000 0116	RAC 1.1/4" R	1.1/4"	43 - 47	81.5	80	19	50	124
61 5000 0158	RAC 1.5/8"	1.5/8"	47 - 51	81.5	80	19	50	116

# DRA

## P. A. Spacers



- DRA 24/50  
+ Rac
- DRA 24/50 - 24/80  
P.A. Spacers

### DRA P.A. Fiberglass Spacer

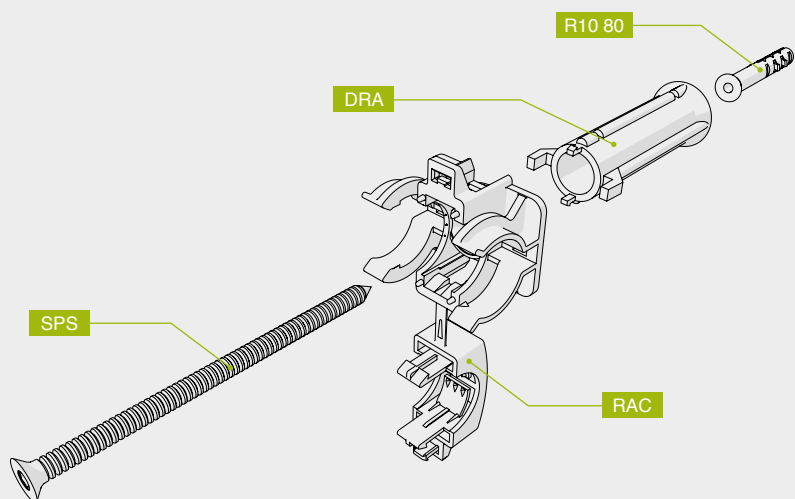
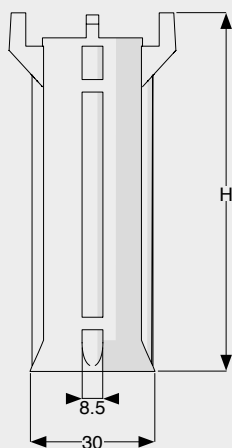
P.A./fiberglass spacer to keep **RAC** cable clamps separated from the wall.  
Fixing with P.A. plug **R8/SPS**.

### DRA Entretoise de P.A. Verre

Entretoise en P.A./ fibres de verre pour la pose éloignée de la paroi des serre-câbles **RAC**. Fixation à l'aide de chevilles en P.A. e vis **R8/SPS**.

### MATERIAL

<b>Spacer</b>	PA6V0 Self Extinguishing Halogen Free UL94 - V0
<b>Operating Temperature</b>	- 40°C + 125°C
<b>Colour</b>	Black



CODE	ARTICLE	H	DESCRIPTION	BOX	WEIGHT
61 6000 2450	DRA 24/50	50	Snap-in on RAC	50	14
61 6000 2480	DRA 24/80	80		50	22

### MEI - Hexagonal Spacer

Steel spacer to keep **RAC**, **SCC** and **RFQ** cable clamps separated from wall.  
Specific set of screw + washers included depending on the applicator.

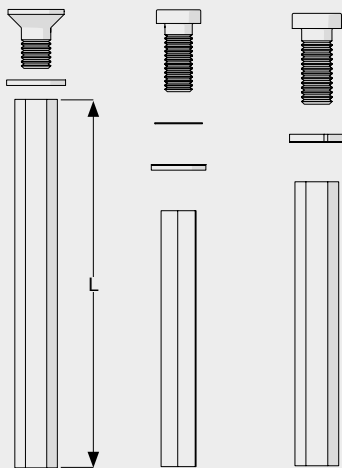
### MEI - Entretoise Hexagonale

Support en acier pour la pose espacée de la paroi des serre-câbles **RAC**, **SCC** et **RFQ**. Jeu de vis + rondelles spécifiques en fonction de l'application.



#### MATERIAL

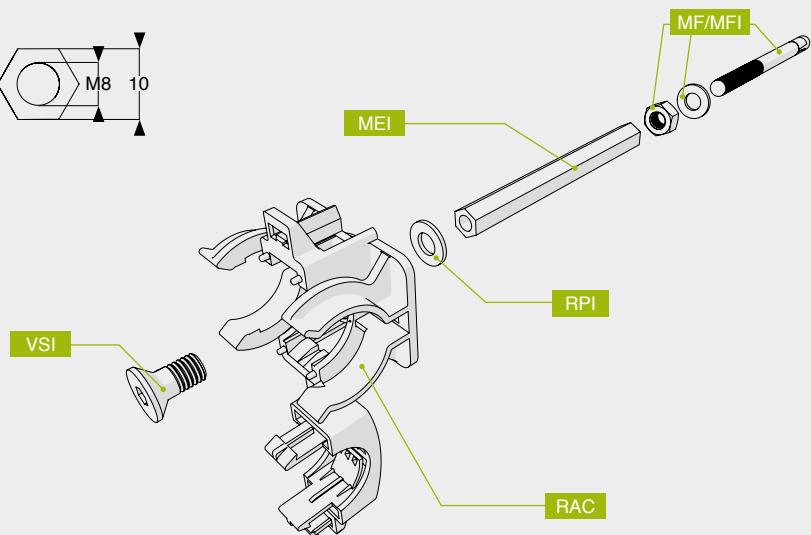
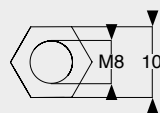
AISI 304 Stainless Steel



FOR RAC

FOR SCC

FOR RFQ



CODE	ARTICLE	L	DESCRIPTION	FOR	BOX	WEIGHT
61 1808 1050	MEI 10/50	50			50	24
61 1808 1075	MEI 10/75	75	Spacer + VSI 8x16 screw + RPI 8/16 flat washer	RAC	50	36
61 1808 1010	MEI 10/100	100			50	52
61 1808 1050.01	MEI 10/50	50			50	24
61 1808 1075.01	MEI 10/75	75	Spacer + VCI 8x20 screw + RPI 8/16 flat washer + REI 8 washer	SCC	50	36
61 1808 1100.01	MEI 10/100	100			50	52
61 1808 1050.04	MEI 10/50	50			50	24
61 1808 1075.04	MEI 10/75	75	Spacer + VCI 8x20 screw + REG 8 washer	RFQ	50	36
61 1808 1100.04	MEI 10/100	100			50	52

# RF Q

## Safety Collars



### MATERIAL

Collar	AISI 304 Stainless Steel
Saddles	Fiberglass, PA, U.V. Resistant
Colour	Black

### RF Q - Square Collar for Radiating Cables Complete with SAS rigid Calibrated Saddles

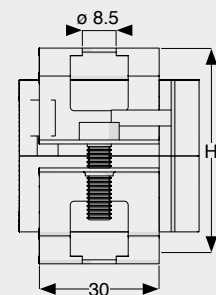
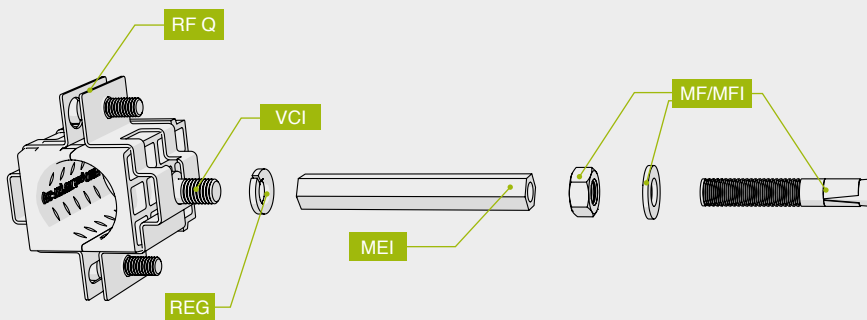
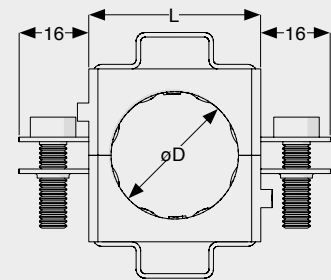
The **RF Q** square collar is formed by two shells joined by M6 screws and calibrated saddles **SAS**.

It is recommended in combination with **RAC** clamps for radiating cables. Whether inserted at a suitable distance (10-15 m) among **RAC** clamps, it prevents radiating cable lines from falling down, in case of fire.

### RF Q - Collier Carré pour Câbles Rayonnants Complet de Selles Calibrées SAS

Le collier **RF Q**, à section carrée, est formé de deux coquilles unies par des vis M6, avec selles calibrées **SAS**.

Il est recommandé de les employer en combinaison avec les serre-câbles **RAC**. On suggère l'emploi intercalé à distance appropriée (10-15 m) entre les fixations au moyen des serre-câbles **RAC**, pour donner à l'installation une protection antichute en cas d'incendie.



CODE	ARTICLE	øD	L	H	BOX	WEIGHT
61 1527 0014	RF Q 1x1/2" S (14)	13 - 14	22	36	50	90
61 1527 0012	RF Q 1x1/2" (17)	16 - 17	22	36	50	86
61 1527 0058	RF Q 1x5/8" (23)	21 - 23	34	48	50	114
61 1527 0078	RF Q 1x7/8" (28)	27 - 28	34	48	50	110
61 1527 1178	RF Q 1x7/8 M (30)	29 - 30	34	48	50	108
61 1527 0118	RF Q 1x1.1/8" (38)	36 - 38	46	58	50	150
61 1527 0114	RF Q 1x1.1/4" (40)	39 - 40	46	58	50	150
61 1527 0148	RF Q 1x1.5/8" S (49)	48 - 49	58	68	25	187
61 1527 0158	RF Q 1x1.5/8" (52)	50 - 52	58	68	25	186

# SCC

## Safety Collars



### SCC

#### Click Collars for Radiating Cables

The **SCC round collar** has been especially designed for quick installation of HF and DC cables as well as for pipes.

It is recommended in combination with **RAC** clamps for radiating cables. Whether inserted at a suitable distance (10-15 m) among **RAC** clamps, it prevents radiating cable lines from falling down, in case of fire.

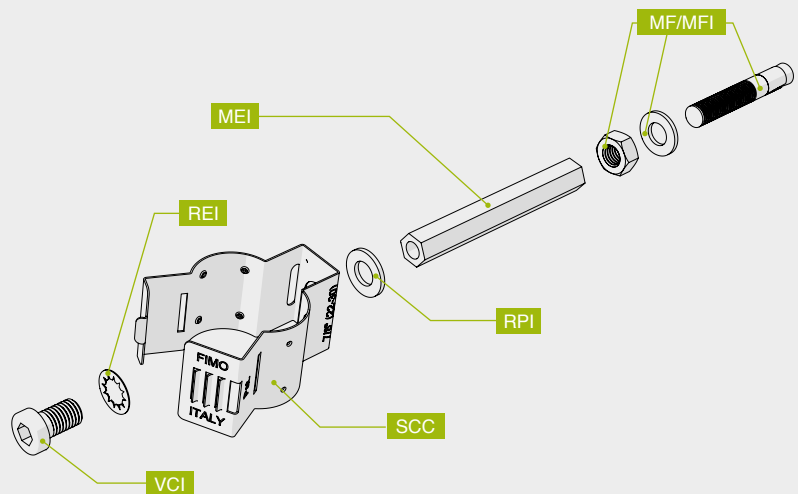
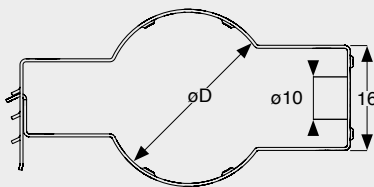
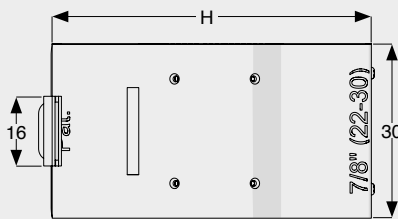
### SCC

#### Colliers à Clic pour Câbles Rayonnants

La forme principale du collier SCC est circulaire et ouverte à son sommet, afin de retenir les câbles électriques et coaxiaux, mais aussi les tubes. Il est recommandé de les employer en combinaison avec les serre-câbles **RAC**. On suggère l'emploi intercalé à distance appropriée (10-15 m) entre les fixations au moyen des attaches **RAC**, pour donner à l'installation une protection antichute en cas d'incendie.

#### MATERIAL

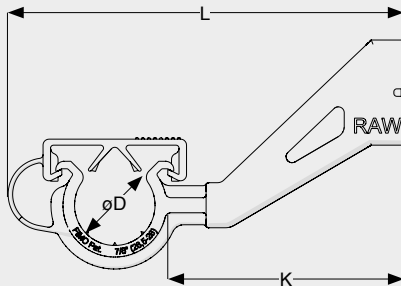
AISI 301 Stainless Steel



CODE	ARTICLE	CABLES	FOR CABLES øD	N° CABLES	H	BAG	BOX	WEIGHT
61 2010 0020	SCC 20	1/2"	13 - 20	1	44	20	100	15
61 2010 0030	SCC 30	7/8"	22 - 30	1	55	20	100	18
61 2010 0040	SCC 40	1.1/4"	30 - 40	1	67	20	100	23
61 2010 0050	SCC 50	1.5/8"	40 - 52	1	79	20	100	26



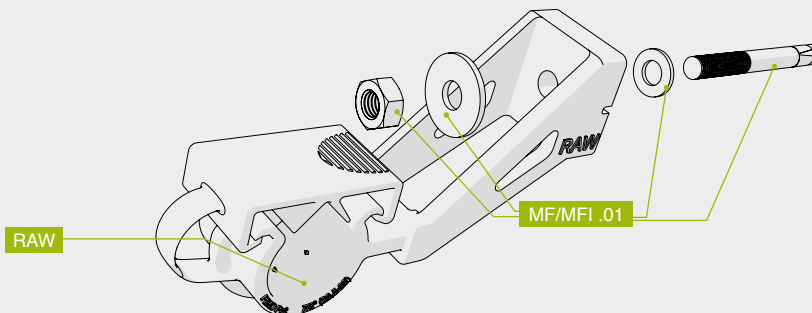
MATERIAL	
<b>Body</b>	PA6V0 Self Extinguishing Halogen Free UL94 - V0
<b>Operating Temperature</b>	- 40°C + 125°C
<b>Colour</b>	Black



### RAW Monoblock Radiating Cable Clamps

The RAW cable clamps are used to fasten radiating cables to walls and ladders in railway, motorway and underground tunnels. The RAW cable clamps include integrated spacer for the installation of cables directly on walls. Foreseen two versions with spacer 50 mm and 80 mm. The RAW cable clamps are designed to allow fast and easy installation of radiating cables. The RAW cable clamps are suitable for durable fastening of radiating cables also for installation in high speed railway tunnel applications (up to 400 km/h)\*.

\*Combined with MF and MFI Steel Anchors



### RAW Serre-câbles Monobloc pour Câbles Rayonnants

Les serre-câbles RAC sont utilisés pour la fixation de câbles rayonnants aux parois ou aux escaliers présents à l'intérieur des tunnels ferroviaires, des autoroutes et des métros.

Les serre-câbles RAW possèdent une entretoise intégrée, pour la pose directe du câble rayonnant au mur. Les versions avec entretoise de 50 mm et 80 mm sont disponibles.

Les serre-câbles RAW sont conçues pour installation simple et rapide des câbles rayonnants. Les serre-câbles RAW sont conçues pour garantir une installation durable des câbles rayonnants, même à l'intérieur des tunnels ferroviaires, pour la grande vitesse (jusqu'à 400 km/h)\*.

\* En combinaison des chevilles en acier MF et MFI

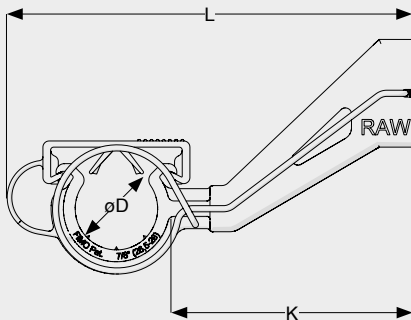
CODE*	ARTICLE	CABLES	FOR CABLES $\phi D$	K	L	BOX	WEIGHT
61 5001 0012	RAW 1/2" - 80	1/2"	15.5 - 17	80	117	50	40
61 5001 0078	RAW 7/8" - 80	7/8"	26.5 - 28	80	132	50	47
61 5001 0079	RAW 7/8" M - 80	7/8"	28 - 29.5	80	132	50	47
61 5001 0114	RAW 1.1/4" - 80	1.1/4"	38.5 - 40	80	143	50	54
61 5001 0115	RAW 1.1/4" M - 80	1.1/4"	40.5 - 42	80	143	50	54
61 5001 0116	RAW 1.1/4" M+ - 80	1.1/4"	41 - 42.5	80	143	50	54
61 5001 0158	RAW 1.5/8" - 80	1.5/8"	48.5 - 50.5	80	152	50	59
61 5001 0159	RAW 1.5/8" M - 80	1.5/8"	50.5 - 52	80	152	50	59
61 5001 5012	RAW 1/2" - 50	1/2"	15.5 - 17	50	87	50	33
61 5001 5078	RAW 7/8" - 50	7/8"	26.5 - 28	50	102	50	40
61 5001 5079	RAW 7/8" M - 50	7/8"	28 - 29.5	50	102	50	40
61 5001 5114	RAW 1.1/4" - 50	1.1/4"	38.5 - 40	50	113	50	48
61 5001 5115	RAW 1.1/4" M - 50	1.1/4"	40.5 - 42	50	113	50	48
61 5001 5116	RAW 1.1/4" M+ - 50	1.1/4"	41 - 42.5	50	113	50	48
61 5001 5158	RAW 1.5/8" - 50	1.5/8"	48.5 - 50.5	50	122	50	53
61 5001 5159	RAW 1.5/8" M - 50	1.5/8"	50.5 - 52	50	122	50	53

\* Version for M8 screws and anchors code .08 - \* Version for M10 screws and anchors code .10 (Available upon Request)



**MATERIAL**

<b>Body</b>	PA6V0 Self Extinguishing Halogen Free UL94 - V0
<b>Operating Temperature</b>	- 40°C + 125°C
<b>Colour</b>	Black
<b>RSD</b>	AISI 316 Stainless Steel



**RSD – RAW Security Device**

The RSD Security Device is designed to be used in combination with RAW radiating cable clamps. The RSD can be pre-assembled with RAW clamps using different fastening anchors (available on request) for a fast and easy installation of the kit.

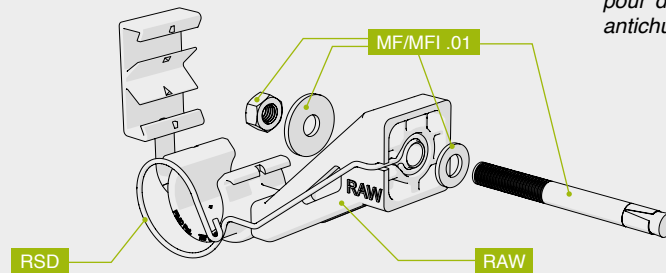
The monoblock stainless steel body of RSD allows a secure elastic fastening of cables, without the use of tools.

The installation of a RAW + RSD kit at a suitable distance of 5 – 10 m prevents cable lines from falling down, in case of fire.

**RSD - Dispositif de Sécurité pour RAW**

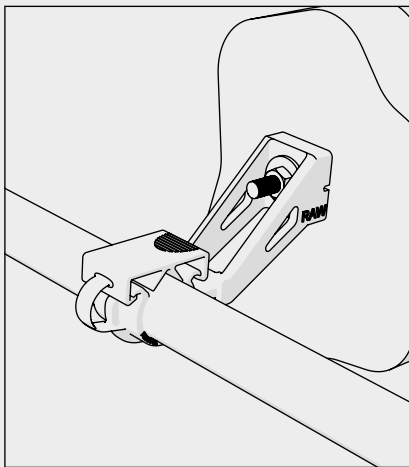
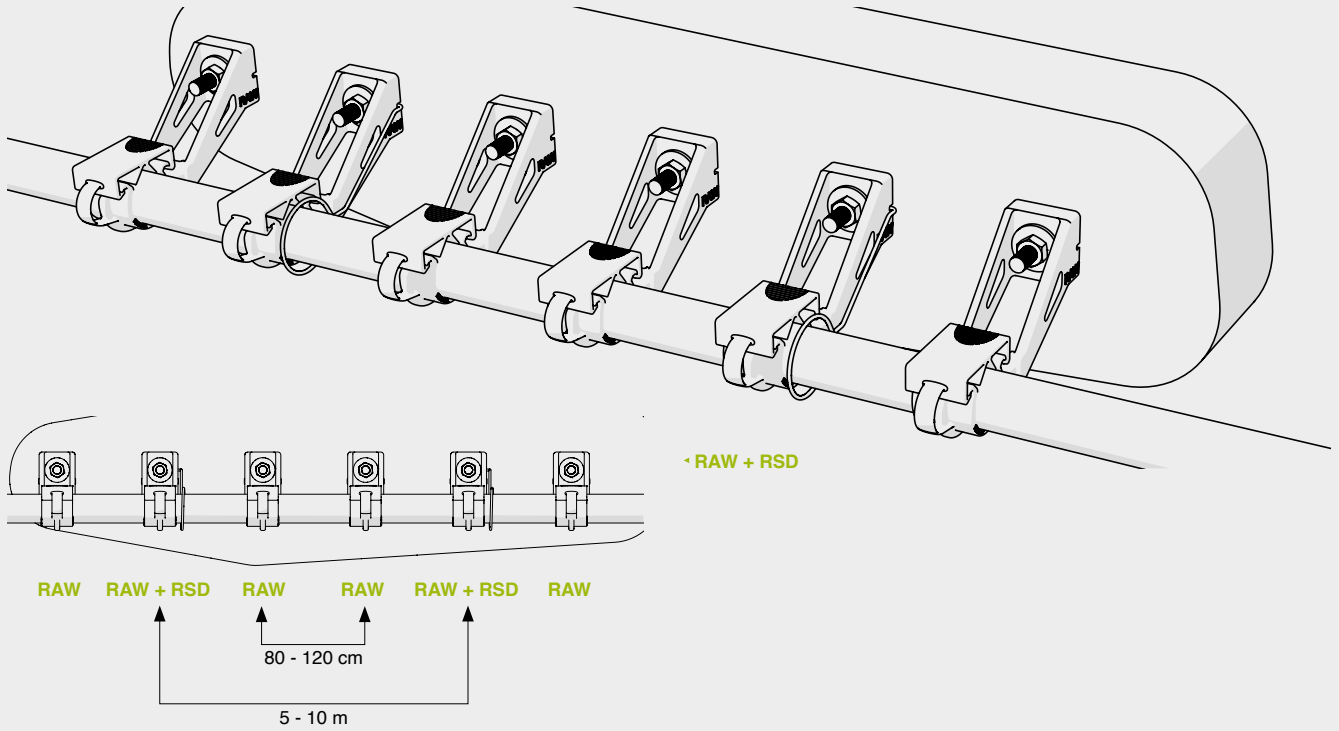
*Le dispositif de sécurité RSD est conçu pour un emploi en combinaison aux serre-câbles pour câbles rayonnantes RAW.*

*Le dispositif RSD peut être préassemblé à l'aide des serre-câbles RAW à l'aide de différentes chevilles (disponibles sur demande) pour une installation simple et rapide du kit. Le corps monobloc en acier INOX du dispositif RSD permet un blocage élastique du câble, en sûreté, sans utilisation d'outils. On recommande l'emploi du kit RAW + RSD à une distance appropriée (5-10 m) pour donner à l'installation une protection antichute en cas d'incendie.*

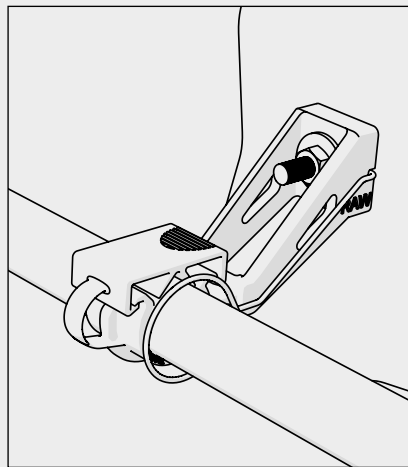


CODE*	ARTICLE	CABLES	FOR CABLES ØD	K	L	BOX	WEIGHT
61 5021 0012	KIT RAW 1/2" - 80 + RSD	1/2"	15.5 - 17	80	117	50	47
61 5021 0078	KIT RAW 7/8" - 80 + RSD	7/8"	26.5 - 28	80	132	50	54
61 5021 0079	KIT RAW 7/8"M - 80 + RSD	7/8"	28 - 29.5	80	132	50	54
61 5021 0114	KIT RAW 1.1/4" - 80 + RSD	1.1/4"	38.5 - 40	80	143	50	63
61 5021 0115	KIT RAW 1.1/4"M - 80 + RSD	1.1/4"	40.5 - 42	80	143	50	63
61 5021 0116	KIT RAW 1.1/4"M+ - 80 + RSD	1.1/4"	41 - 42.5	80	143	50	63
61 5021 0158	KIT RAW 1.5/8" - 80 + RSD	1.5/8"	48.5 - 50.5	80	152	50	68
61 5021 0159	KIT RAW 1.5/8"M - 80 + RSD	1.5/8"	50.5 - 52	80	152	50	68
61 5021 5012	KIT RAW 1/2" - 50 + RSD	1/2"	15.5 - 17	50	87	50	40
61 5021 5078	KIT RAW 7/8" - 50 + RSD	7/8"	26.5 - 28	50	102	50	47
61 5021 5079	KIT RAW 7/8"M - 50 + RSD	7/8"	28 - 29.5	80	102	50	47
61 5021 5114	KIT RAW 1.1/4" - 50 + RSD	1.1/4"	38.5 - 40	50	113	50	55
61 5021 5115	KIT RAW 1.1/4"M - 50 + RSD	1.1/4"	40.5 - 42	50	113	50	55
61 5021 5116	KIT RAW 1.1/4"M+ - 50 + RSD	1.1/4"	41 - 42.5	50	113	50	55
61 5021 5158	KIT RAW 1.5/8" - 50 + RSD	1.5/8"	48.5 - 50.5	50	122	50	60
61 5021 5159	KIT RAW 1.5/8"M - 50 + RSD	1.5/8"	50.5 - 52	50	122	50	60

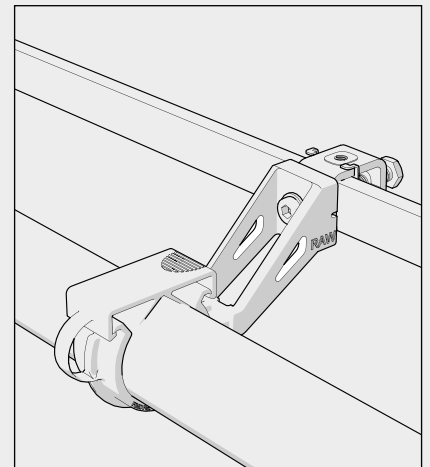
\* Version for M8 screws and anchors code .08 - \* Version for M10 screws and anchors code .10 (Available upon Request)



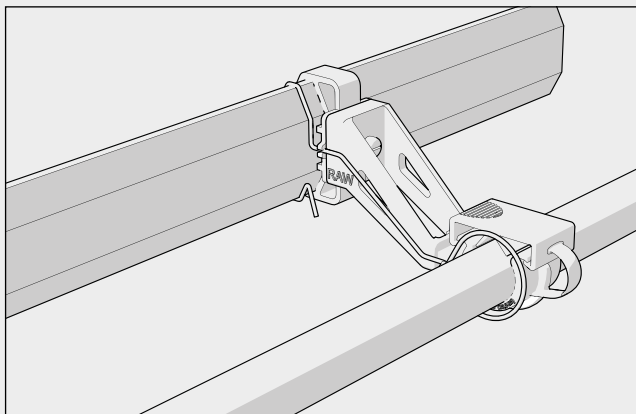
RAW + MFI on Wall



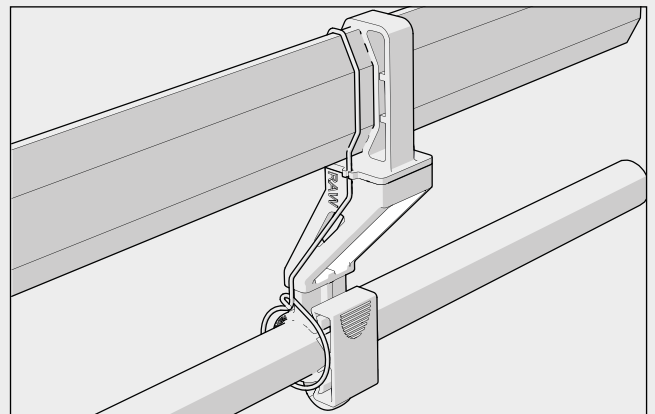
RAW + RSD + MFI on Wall



RAW + MIM 8/25 on Flat



RAW + PCO 56 O on Section



RAW + PCO 56 V on Section

# RAW APP

## Monoblock Radiating Cable Clamps for Ladders



RADIATING CABLE FIXINGS  
PRODUCT CATALOGUE



### MATERIAL

<b>Body</b>	PA6V0 Self Extinguishing Halogen Free UL94 - V0
<b>Operating Temperature</b>	- 40°C + 125°C
<b>Colour</b>	Black

### RAW – APP

#### Monoblock Radiating Cable Clamps for Ladders

The RAW – APP cable clamps have been especially designed for quick installation of radiating cables on ladders, provided with rectangular slots 9x35 mm and 11x35 mm.

The RAW – APP cable clamps can be safely installed on metal ladders with thickness 1.25 – 1.5 mm, and include integrated spacer (80 mm).

The RAW – APP cable clamps are designed to allow fast installation of radiating cables on ladders without need of tools. For installation insert the cable clamp in the rectangular slot on ladder and rotate till lock position.

To prevent cable lines from falling down, in case of fire, a RAW + RSD cable clamp can be installed among RAW – APP cable clamps, using metal screws and nuts, at a suitable distance of 5 – 10 m.

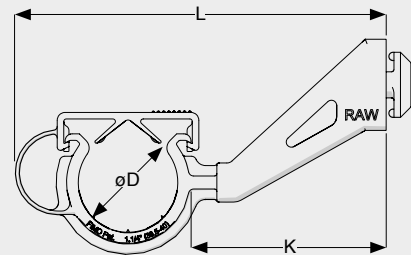
### RAW – APP

#### Serre-câbles monoblocs pour Câbles Rayonnants sur Échelles

Les serre-câbles RAW – APP sont conçus pour l'installation rapide de câbles rayonnants sur des échelles munies de fenêtres rectangulaires 9x35 mm et 11x35 mm.

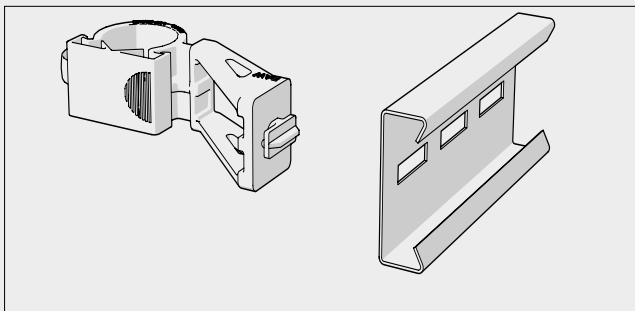
Les serre-câbles RAW – APP peuvent être installés sur des échelles métalliques de 1,25 – 1,5 mm d'épaisseur et ont intégré l'entretoise de 80 mm.

Les serre-câbles RAW – APP sont conçus pour le couplage rapide de câbles rayonnants sur des échelles, sans utiliser d'outils. Pour l'installation, insérez le serre-câble dans la fenêtre rectangulaire sur l'échelle et faites-le pivoter jusqu'à la position de verrouillage. Pour protéger le système contre les chutes en cas d'incendie, il est possible d'installer des serre-câbles RAW – APP intercalés RAW + RSD à l'aide de vis métalliques à une distance appropriée (5 – 10 m).

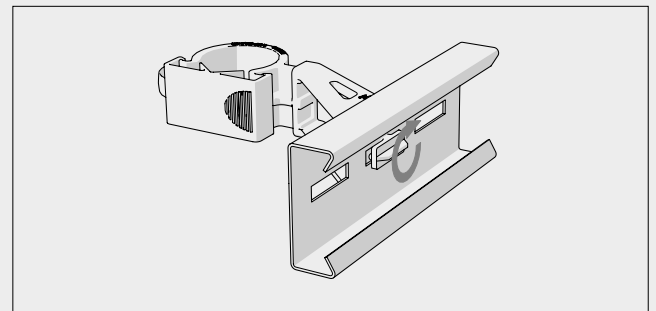


CODE	ARTICLE	CABLES	FOR CABLES øD	K	L	BAG	WEIGHT
61 5041 0012	RAW 1/2"- 80 APP11	1/2"	15.5 - 17	80	117	50	40
61 5041 0078	RAW 7/8"- 80 APP11	7/8"	26.5 - 28	80	132	50	47
61 5041 0079	RAW 7/8" M - 80 APP11	7/8"	28.5 - 29.5	80	132	50	47
61 5041 0114	RAW 1.1/4"- 80 APP11	1.1/4"	38.5 - 40	80	143	50	54
61 5041 0115	RAW 1.1/4" M - 80 APP11	1.1/4"	40.5 - 42	80	143	50	54
61 5041 0116	RAW 1.1/4" M+ - 80 APP11	1.1/4"	41 - 42.5	80	143	50	54
61 5041 0158	RAW 1.5/8"- 80 APP11	1.5/8"	48.5 - 50.5	80	152	50	59
61 5041 0159	RAW 1.5/8" M - 80 APP11	1.5/8"	50.5 - 52	80	152	50	59
61 5042 0012	RAW 1/2"- 80 APP9	1/2"	15.5 - 17	80	117	50	40
61 5042 0078	RAW 7/8"- 80 APP9	7/8"	26.5 - 28	80	132	50	47
61 5042 0079	RAW 7/8" M - 80 APP9	7/8"	28.5 - 29.5	80	132	50	47
61 5042 0114	RAW 1.1/4"- 80 APP9	1.1/4"	38.5 - 40	80	143	50	54

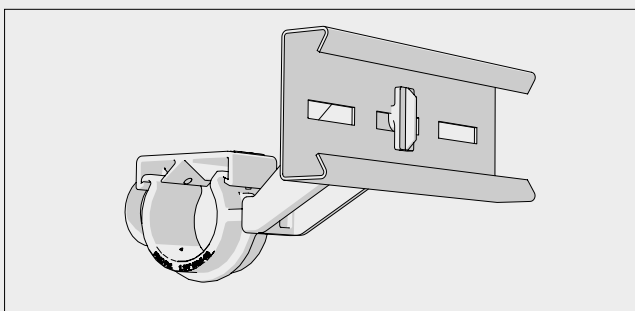
CODE	ARTICLE	CABLES	FOR CABLES øD	K	L	BAG	WEIGHT
61 5042 0115	RAW 1.1/4" M - 80 APP9	1.1/4"	40.5 - 42	80	143	50	54
61 5042 0116	RAW 1.1/4" M+ - 80 APP9	1.1/4"	41 - 42.5	80	143	50	54
61 5042 0158	RAW 1.5/8" - 80 APP9	1.5/8"	48.5 - 50.5	80	152	50	59
61 5042 0159	RAW 1.5/8" M - 80 APP9	1.5/8"	50.5 - 52	80	152	50	59
61 5045 0012	RAW 1/2" - 80 APP7	1/2"	15.5 - 17	80	117	50	40
61 5045 0078	RAW 7/8" - 80 APP7	7/8"	26.5 - 28	80	132	50	47
61 5045 0079	RAW 7/8" M - 80 APP7	7/8"	28.5 - 29.5	80	132	50	47
61 5045 0114	RAW 1.1/4" - 80 APP7	1.1/4"	38.5 - 40	80	143	50	54
61 5045 0115	RAW 1.1/4" M - 80 APP7	1.1/4"	40.5 - 42	80	143	50	54
61 5045 0116	RAW 1.1/4" M+ - 80 APP7	1.1/4"	41 - 42.5	80	143	50	54
61 5045 0158	RAW 1.5/8" - 80 APP7	1.5/8"	48.5 - 50.5	80	152	50	59
61 5045 0159	RAW 1.5/8" M - 80 APP7	1.5/8"	50.5 - 52	80	152	50	59



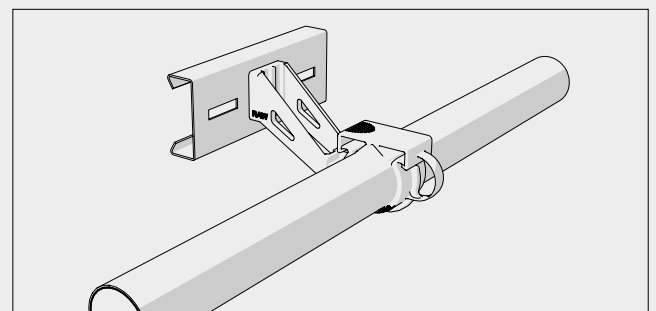
Rotate RAW horizontally clockwise.



Insert TAB on back of RAW into slot.



Rotate RAW anticlockwise to vertical position



Insert cable and close bracket. Installed in few seconds!

# R10-80 · SPS

## Plugs and Screws



### R10-80 - Ø 10 P.A. Wall Plug

For SPS Wood Screws to Be Used on Concrete Walls and Masonry

### SPS - Long Wood Screw

For R10-80 P.A. Wall Plugs Flathead TORX Screw

R10-80 + SPS represent the right solution to fix RAC and RAW clamps to concrete walls and masonry.

### R10-80 - Cheville Murale en P.A., Ø 10

Pour Vis Autotaradeuse SPS à utiliser sur Ciment et Maçonnerie

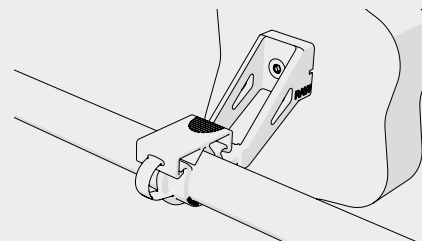
### SPS - Vis Grippante Longue

Pour Chevilles Murales de P.A. R10-80 Tête fraisée avec Empreinte TORX

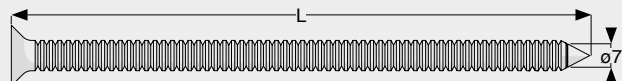
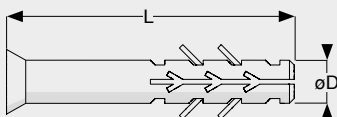
R10-80 + SPS sont la combinaison parfaite pour la pose de serre-câbles RAC et RAW sur ciment et maçonnerie.



MATERIAL	
R10-80	P. A.
SPS	Galvanized Steel (Stainless Steel on Request)



RAW .08 + R10 80 + SPS 85/7



CODE	ARTICLE	DRILL	øD	L	FOR	BAG	BOX	WEIGHT
ME 2501 0188	R8-80 SP*	8	8	80	RAW	25	300	10
ME 0501 0090	R10-80	10	10	80	RAC - RAC+DRA - RAW .08	100	400	10
61 2923 7085	SPS 85/7	-	7	85	RAC - RAW .08	100	400	12
61 2923 7145	SPS 145/7	-	7	145	RAC+DRA 50	100	400	16
61 2923 7165	SPS 165/7	-	7	165	RAC+DRA 80	100	400	25

\* Including long wood screw øD 5.5 x 86

# MFI · MF

## Steel Anchors

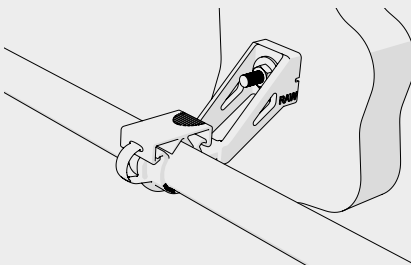
**MFI - AISI 304 Steel Anchor**  
**MF - Steel Anchor Galvanized Steel**

Fixing of radiating cable clamps on MEI brackets or directly to wall.  
Best for speedy mountings on concrete.

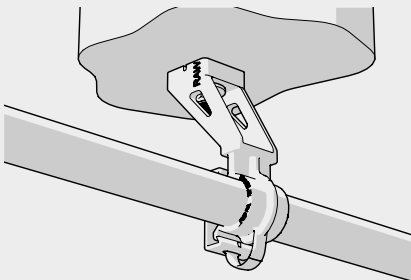
**MFI - Goujon d'Ancre Acier Inox AISI 304**  
**MF - Goujon d'Ancre Acier Galvanisé**

*Éléments de fixation pour l'installation de serre-câbles pour câbles rayonnants sur entretoises MEI ou directement sur mur. Rapide à poser, idéal pour les matériaux compacts.*

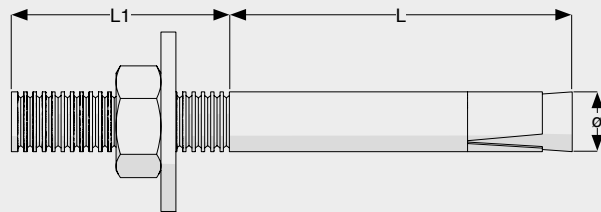
MATERIAL	
MFI	Stainless Steel AISI 304
MF	Galvanized Steel



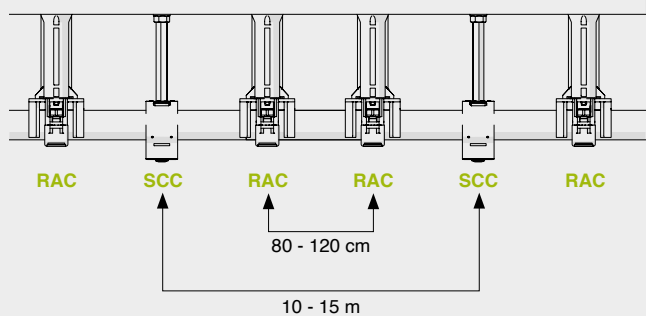
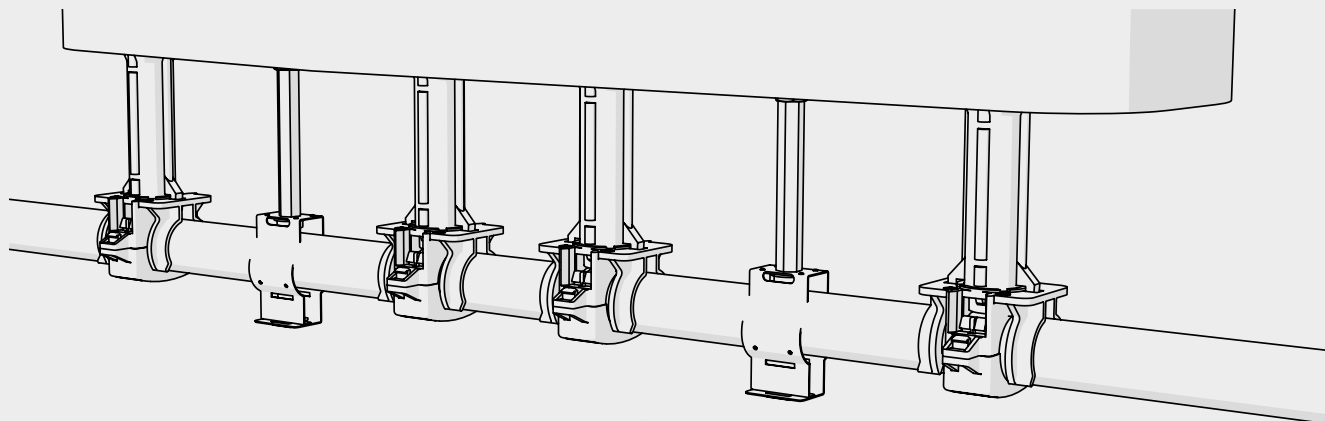
RAW + MFI .01



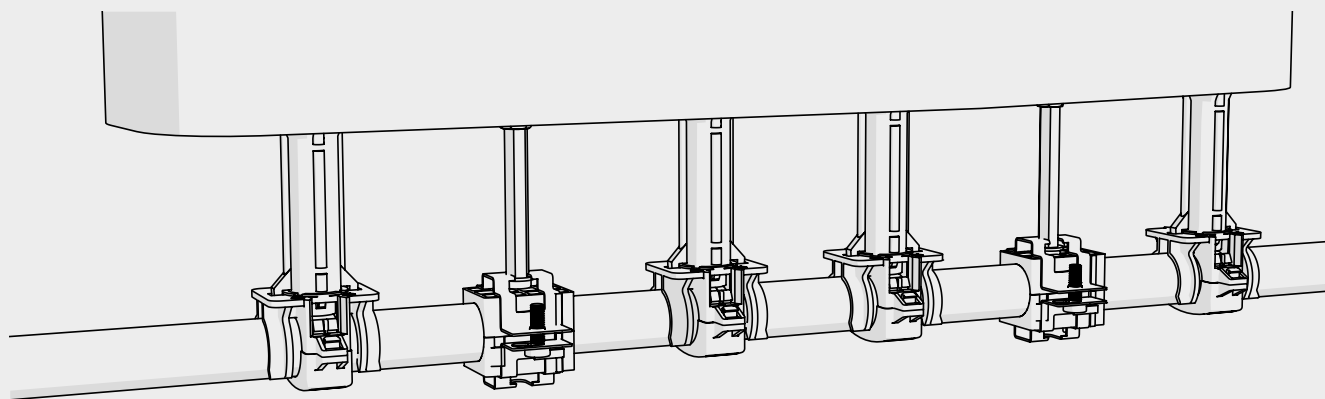
RAW + MFI .01



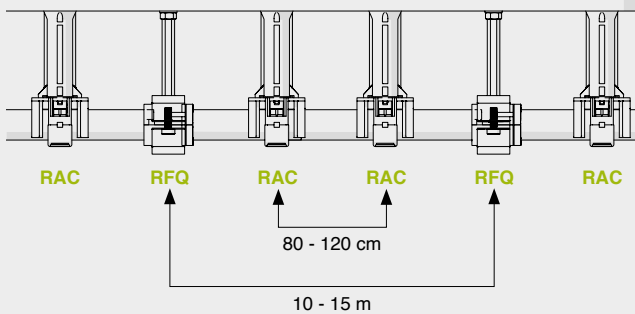
CODE	ARTICLE	DRILL	ø	THREAD	L	L1	FOR	BOX	WEIGHT
10 1302 0875	MFI 8x75/30 AISI 304	8	8	M8	35	40	MEI	100	32
10 1301 0870	MF 8x70/30	8	8	M8	30	40	MEI	100	33
10 1302 0665.01	MFI 6x65/25 AISI 304	6	6	M6	25	40	RAW	100	32
10 1301 0655.01	MF 6x55/25	6	6	M6	25	30	RAW	100	33
10 1302 0875.01	MFI 8x75/30 AISI 304	8	8	M8	35	40	RAW .08	100	32
10 1301 0870.01	MF 8x70/30	8	8	M8	30	40	RAW .08	100	33

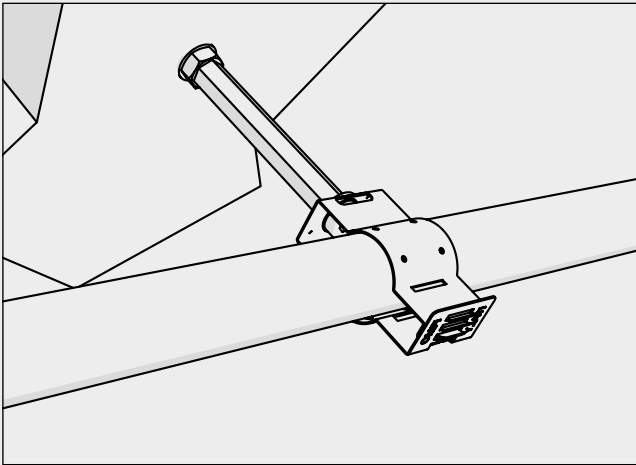


• RAC + SCC

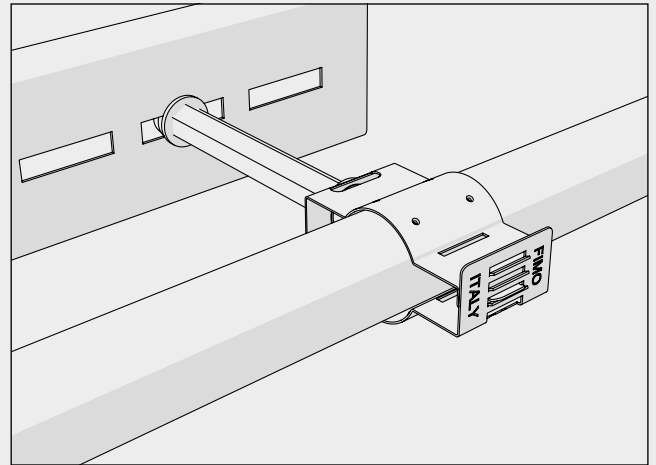


• RAC + RFQ •

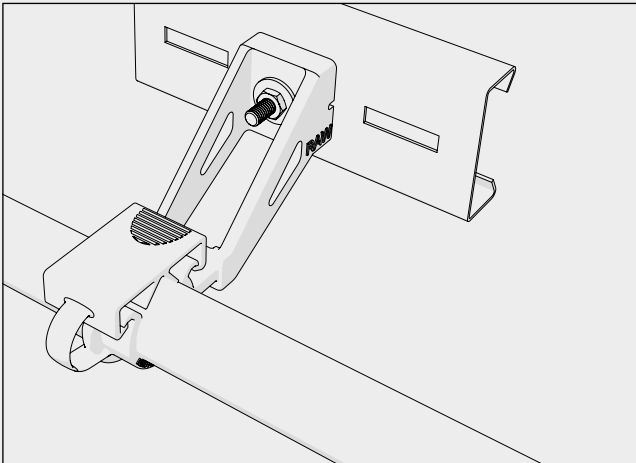




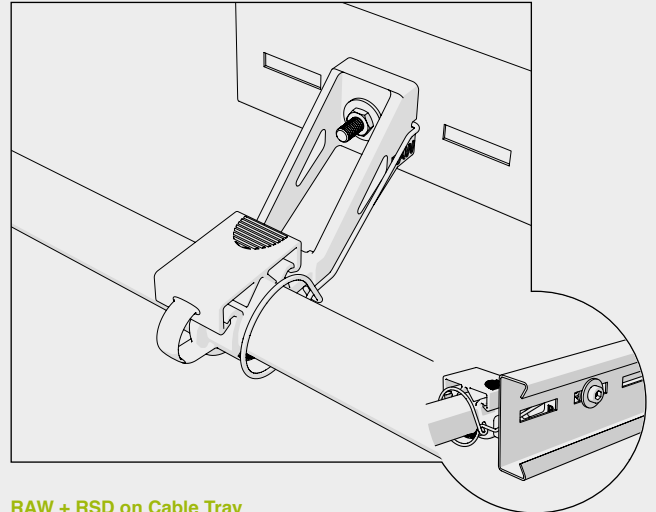
SCC + MEI on Wall



SCC + MEI on Cable Tray



RAW on Cable Tray



RAW + RSD on Cable Tray

# KIT RAX + COL

## Radiating Cable Clamps for Ladders



RADIATING CABLE FIXINGS  
PRODUCT CATALOGUE



### MATERIAL

<b>Body</b>	PA6V0 Self Extinguishing Halogen Free UL94 - V0
<b>Operating Temperature</b>	- 40°C + 125°C
<b>Colour</b>	Black
<b>COL</b>	AISI 301 Stainless Steel

### RAX + COL

#### Radiating Cable Clamps for Ladders

The KIT RAX + COL cable clamps are used in tunnels to fasten radiating cables on specific sections (e. g. OEGLAND SYSTEM LOE – 55, LOE – 75, LOE – 100). The KIT RAX + COL cable clamps are designed to allow fast click-on ladder installation of cables without need of tools. The RAX monobloc cable clamps include integrated spacer (90 mm).

The COL clip-on ladder hanger is made with AISI 301 Stainless Steel for adaptive and tight fastening on cable ladders. Customized click-on hooks are available upon request.

### RAX + COL

#### Serre-câbles pour Câbles Rayonnants sur Échelles

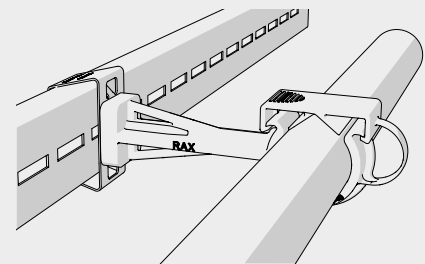
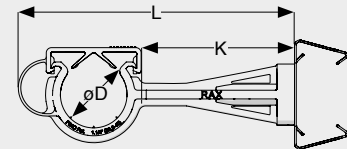
Les serre-câbles KIT RAX + COL sont utilisées dans les galeries pour la fixation de câbles rayonnants sur des sections spécifiques (ex.: OEGLAND SYSTEM LOE – 55, LOE – 75, LOE – 100).

Les serre-câbles KIT RAX + COL sont conçus pour un accrochage rapide des câbles rayonnants sur les échelles, sans l'utilisation d'outils.

Les serre-câbles monobloc RAX ont intégré l'entretoise de 90 mm.

Le système d'accrochage rapide COL est réalisé en acier INOX AISI 301 pour un blocage adaptable et en sûreté sur échelle.

Des systèmes de fixation personnalisables sont disponibles sur demande.

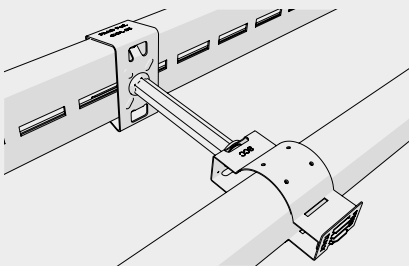
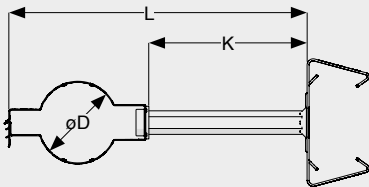


CODE	ARTICLE	CABLES	FOR CABLES øD	K	L	BOX	WEIGHT
61 5002 0012.55	KIT RAX 1/2" + COL 55	1/2"	15.5 - 17	90	132	50	75
61 5002 0012.75	KIT RAX 1/2" + COL 75	1/2"	15.5 - 17	90	132	50	80
61 5002 0012.100	KIT RAX 1/2" + COL 100	1/2"	15.5 - 17	90	132	50	86
61 5002 0078.55	KIT RAX 7/8" + COL 55	7/8"	26.5 - 28	90	147	50	82
61 5002 0079.55	KIT RAX 7/8" M + COL 55	7/8"	28 - 29.5	90	147	50	82
61 5002 0078.75	KIT RAX 7/8" + COL 75	7/8"	26.5 - 28	90	147	50	87
61 5002 0079.75	KIT RAX 7/8" M + COL 75	7/8"	28 - 29.5	90	147	50	87
61 5002 0078.100	KIT RAX 7/8" + COL 100	7/8"	26.5 - 28	90	147	50	93
61 5002 0079.100	KIT RAX 7/8" M + COL 100	7/8"	28 - 29.5	90	147	50	93
61 5002 0114.55	KIT RAX 1.1/4" + COL 55	1.1/4"	38.5 - 40	90	158	50	89
61 5002 0115.55	KIT RAX 1.1/4" M + COL 55	1.1/4"	40.5 - 42	90	158	50	89
61 5002 0115.55	KIT RAX 1.1/4" M+ + COL 55	1.1/4"	41 - 42.5	90	158	50	89
61 5002 0114.75	KIT RAX 1.1/4" + COL 75	1.1/4"	38.5 - 40	90	158	50	94
61 5002 0115.75	KIT RAX 1.1/4" M + COL 75	1.1/4"	40.5 - 42	90	158	50	94
61 5002 0116.75	KIT RAX 1.1/4" M+ + COL 75	1.1/4"	41 - 42.5	90	158	50	94
61 5002 0114.100	KIT RAX 1.1/4" + COL 100	1.1/4"	38.5 - 40	90	158	50	100
61 5002 0115.100	KIT RAX 1.1/4" M + COL 100	1.1/4"	40.5 - 42	90	158	50	100
61 5002 0116.100	KIT RAX 1.1/4" M+ + COL 100	1.1/4"	41 - 42.5	90	158	50	100
61 5002 0158.55	KIT RAX 1.5/8" + COL 55	1.5/8"	48.5 - 50.5	90	167	50	94
61 5002 0159.55	KIT RAX 1.5/8" M + COL 55	1.5/8"	50.5 - 52	90	167	50	94
61 5002 0158.75	KIT RAX 1.5/8" + COL 75	1.5/8"	48.5 - 50.5	90	167	50	99
61 5002 0159.75	KIT RAX 1.5/8" M + COL 75	1.5/8"	50.5 - 52	90	167	50	99
61 5002 0158.100	KIT RAX 1.5/8" + COL 100	1.5/8"	48.5 - 50.5	90	167	50	105
61 5002 0159.100	KIT RAX 1.5/8" M + COL 100	1.5/8"	50.5 - 52	90	167	50	105

# KIT SCC + COL

## Safety Collar for Radiating Cables on Ladders

MATERIAL	
SCC	AISI 301 Stainless Steel
MEI	AISI 304 Stainless Steel
COL	AISI 301 Stainless Steel



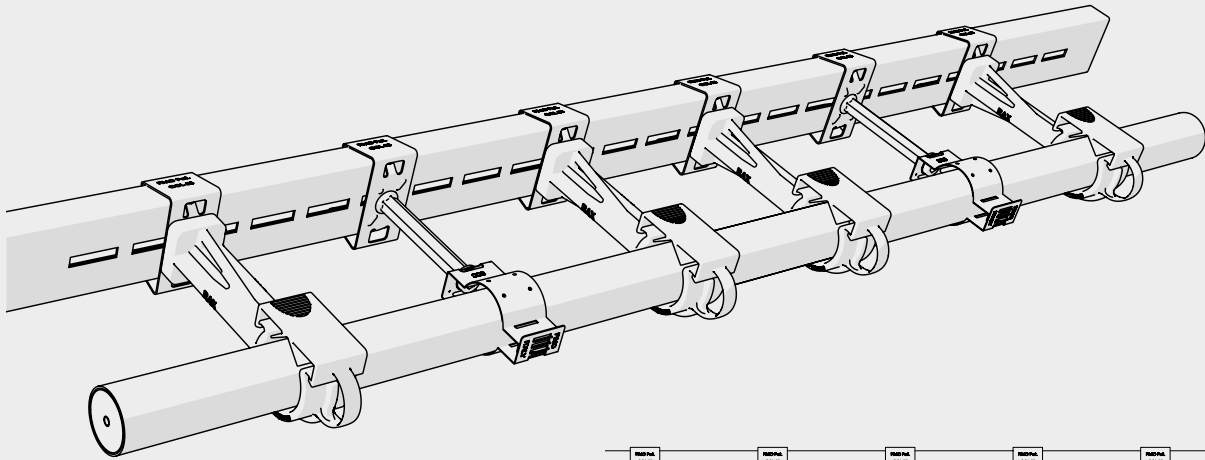
### KIT SCC + COL Safety Collar for Radiating Cables on Ladders

The KIT SCC + COL safety collar has been especially designed for quick installation of radiating cables on ladders. It is recommended in combination with KIT RAX + COL clamps for radiating cables. Whether inserted at a suitable distance (10 – 15 m) among KIT RAX + COL clamps, it prevents radiating cable lines from falling, in case of fire.

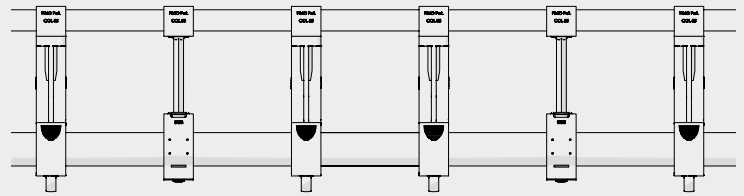
### KIT SCC + COL Collier de Sécurité pour Câbles Rayonnants sur Échelles

Les colliers de sécurité KIT SCC + COL sont conçus pour une installation rapide de câbles rayonnants sur échelles. Il est recommandé de les employer en combinaison avec des serre-câbles KIT RAX + COL. On suggère l'emploi intercalé à une distance appropriée (10 – 15 m) entre les fixations au moyen des serre-câbles KIT RAX + COL pour donner à l'installation une protection antichute en d'incendie.

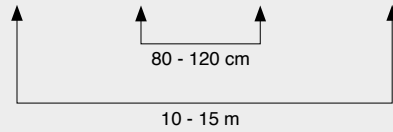
CODE	ARTICLE	CABLES	FOR CABLES øD	K	L	BOX	WEIGHT
61 2010 0020.55	KIT SCC 20 + COL 55						103
61 2010 0020.75	KIT SCC 20 + COL 75	1/2"	13 - 20	80	125	50	108
61 2010 0020.100	KIT SCC 20 + COL 100						114
61 2010 0030.55	KIT SCC 30 + COL 55						106
61 2010 0030.75	KIT SCC 30 + COL 75	7/8"	22 - 30	80	135	50	111
61 2010 0030.100	KIT SCC 30 + COL 100						117
61 2010 0040.55	KIT SCC 40 + COL 55						110
61 2010 0040.75	KIT SCC 40 + COL 75	1.1/4"	30 - 40	80	150	50	115
61 2010 0040.100	KIT SCC 40 + COL 100						121
61 2010 0050.55	KIT SCC 50 + COL 55						115
61 2010 0050.75	KIT SCC 50 + COL 75	1.5/8"	40 - 52	80	160	50	120
61 2010 0050.100	KIT SCC 50 + COL 100						126



RAX + COL + SCC + COL +



RAX + COL   SCC + COL   RAX + COL   RAX + COL   SCC + COL   RAX + COL

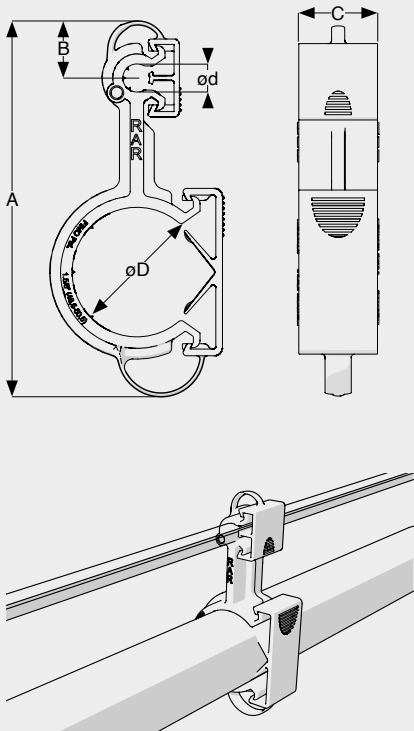


# RAR

## Radiating Cable Clamps



RADIATING CABLE FIXINGS  
PRODUCT CATALOGUE



MATERIAL	
Clamp	PA6V0 Self Extinguishing Halogen Free UL94 - V0
Operating Temperature	- 40°C + 125°C
Colour	Black

### RAR – No Tool Radiating Cable Clamps For Hanging on Stainless Steel/Synthetic Ropes

The RAR cable clamps are used in tunnels to hang radiating cables to either stainless steel or synthetic ropes.

The RAR cable clamps are designed to allow secure click-on installation of cables on hanging ropes without need of tools. Two independent housings, for cable and rope, provided with one cap each allow a fast installation without need of screws.

The RAR cable clamps are available for ropes 7 and 10 mm (other dimensions available upon request).

The RAR monobloc cable clamps include integrated spacer (40 mm).

### RAR - Serre-Câbles pour Câbles Rayonnants, Installation sans Outils

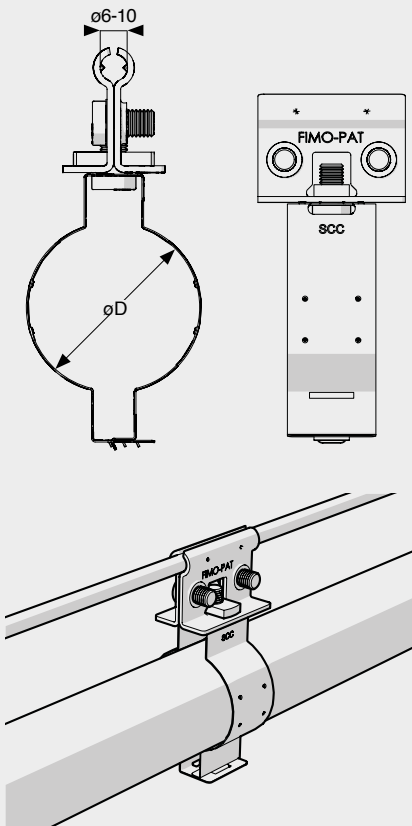
*Suspension sur Câbles Portants en Acier INOX ou Synthétique*

*Les serre-câbles RAR sont utilisés dans les galeries pour la suspension de câbles rayonnants à cordes porteuses et en acier INOX et en matériel synthétique. Les serre-câbles RAR sont conçus pour un accrochage en sûreté de câbles rayonnants sur cordes portantes sans emploi d'outils. Deux emplacements indépendants, pour le câble et la corde, équipées d'un couvercle chacun, permettent une installation rapide sans besoin d'ajouter des vis. Les serre-câbles RAR sont disponibles pour des cordes de 7 et 10 mm (autres dimensions disponibles sur demande). Les serre-câbles monobloc RAX ont intégré l'entretoise de 40 mm.*

CODE	ARTICLE	A	B	C	ød	øD	BOX	WEIGHT
61 5051 0012	RAR 1/2" - 10	106	21	30	9.5 - 10.5	15.5 - 17	50	31
61 5051 0078	RAR 7/8" - 10	118	21	30	9.5 - 10.5	26.5 - 28	50	38
61 5051 0079	RAR 7/8" M - 10	118	21	30	9.5 - 10.5	28 - 29.5	50	38
61 5051 0114	RAR 1.1/4" - 10	132	21	30	9.5 - 10.5	38.5 - 40	50	45
61 5051 0115	RAR 1.1/4" M - 10	132	21	30	9.5 - 10.5	40.5 - 42	50	45
61 5051 0116	RAR 1.1/4" M+ - 10	132	21	30	9.5 - 10.5	41 - 42.5	50	45
61 5051 0158	RAR 1.5/8" - 10	140	21	30	9.5 - 10.5	48.5 - 50.5	50	50
61 5051 0159	RAR 1.5/8" M - 10	140	21	30	9.5 - 10.5	50.5 - 52	50	50
61 5052 0012	RAR 1/2" - 7	106	21	30	6.5 - 7.5	15.5 - 17	50	32
61 5052 0078	RAR 7/8" - 7	118	21	30	6.5 - 7.5	26.5 - 28	50	39
61 5052 0079	RAR 7/8" M - 7	118	21	30	6.5 - 7.5	28 - 29.5	50	39
61 5052 0114	RAR 1.1/4" - 7	132	21	30	6.5 - 7.5	38.5 - 40	50	46
61 5052 0115	RAR 1.1/4" M - 7	132	21	30	6.5 - 7.5	40.5 - 42	50	46
61 5052 0116	RAR 1.1/4" M+ - 7	132	21	30	6.5 - 7.5	41 - 42.5	50	46
61 5052 0158	RAR 1.5/8" - 7	140	21	30	6.5 - 7.5	48.5 - 50.5	50	51
61 5052 0159	RAR 1.5/8" M - 7	140	21	30	6.5 - 7.5	50.5 - 52	50	51

# KIT SCC + RAF8

## Safety Collar for Radiating Cables on Ropes



### MATERIAL

**SCC** AISI 301  
Stainless Steel

**RAF8** AISI 304  
Stainless Steel

### KIT SCC + RAF8

Safety Collar for Radiating Cables on Stainless Steel Ropes

The KIT SCC + RAF8 safety collar is used in tunnels to hang radiating cables to stainless steel ropes  $\Phi$  6 – 10 mm.

It is recommended in combination with RAR clamps for radiating cables. Whether inserted at a suitable distance (10 – 15 m) among RAR cable clamps, it prevents radiating cable lines from falling down, in case of fire.

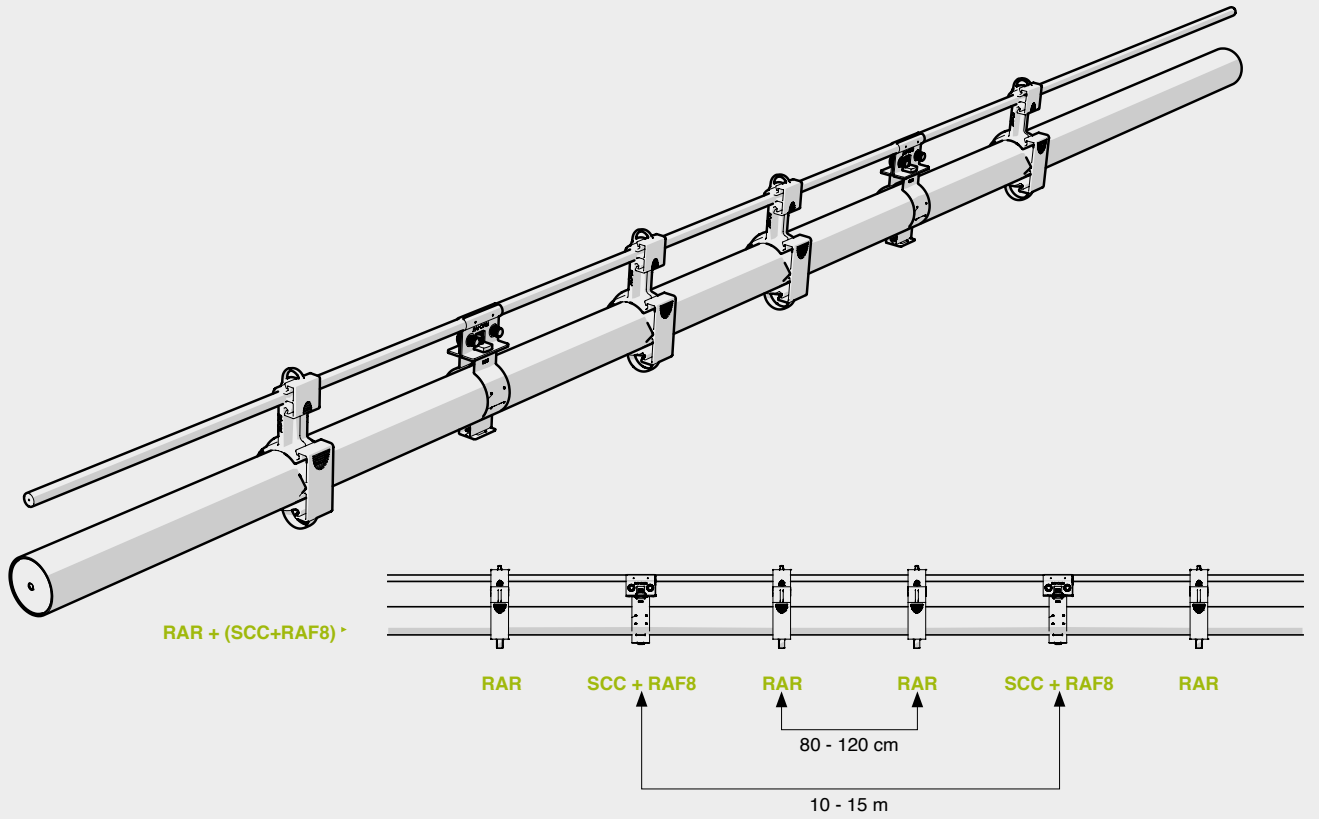
### KIT SCC + RAF8

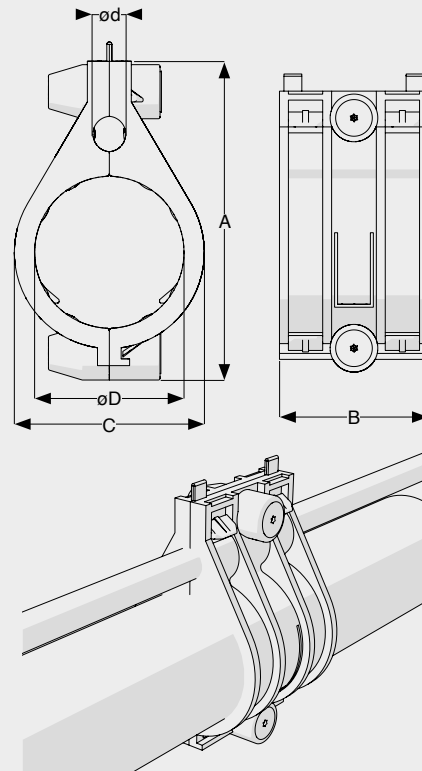
Collier de Sécurité pour Câbles Radiants suspendus sur Cordes Porteuses en Acier Inoxydable

Les colliers de sécurité KIT SCC + RAF8 sont utilisés dans les tunnels pour la suspension des câbles rayonnants à cordes en acier  $\Phi$  6 – 10 mm.

Il est conseillé de l'utiliser en combinaison avec des serre-câbles pour câbles radiants RAR. Il est suggéré d'intercaler l'utilisation à une distance appropriée (10 – 15 m) entre les fixations au moyen de serre-câbles RAR, afin de protéger l'installation contre les chutes en cas d'incendie.

CODE	ARTICLE	CABLES	FOR CABLES øD	ØD	BAG	WEIGHT
61 2013 0020	KIT SCC 20 + RAF 8	1/2"	13 - 20	6 - 10	50	107
61 2013 0030	KIT SCC 30 + RAF 8	7/8"	22 - 30	6 - 10	50	122
61 2013 0040	KIT SCC 40 + RAF 8	1.1/4"	30 - 40	6 - 10	50	127
61 2013 0050	KIT SCC 50 + RAF 8	1.5/8"	40 - 52	6 - 10	50	131





### RAP - Radiating Cable Clamp For Hangings on Steel/Synthetic Ropes

The **RAP** Clamp, consisting of two hinged shells, is used in tunnels to hang coaxial radiating cables to ropes made of either stainless steel or synthetic materials. It holds the coaxial cable without compressing nor deforming it.

Some small elastic snap-in hooks guarantee the closure as well as a quick pre-fixing around cable and rope.

Two screws assure the final fixing of RAP Clamp on cable and rope.

### RAP - Porte-câbles pour Câbles Rayonnants Suspension sur Cordes Portantes en Acier/Synthétiques

*Le porte-câbles **RAP**, formé par deux coquilles articulées, est utilisé dans les galeries pour la suspension de câbles rayonnants coaxiaux à cordes portantes, et en acier inox et en matériel synthétique. Il retient le câble coaxial sans le comprimer ni le déformer. Des crochets élastiques assurent la fermeture à dé clic et la préfixation rapide autour du câble et à la corde portante. Deux vis garantissent la fixation définitive du RAP sur le câble et sur la corde portante.*

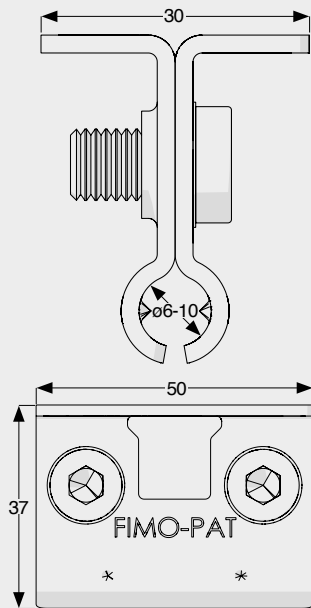
### MATERIAL

<b>Clamp</b>	PA6V0 Self Extinguishing Halogen Free UL94 - V0
<b>Operating temperature</b>	- 40°C + 125°C
<b>Colour</b>	Black
<b>Screws</b>	AISI 304 Stainless Steel

CODE	ARTICLE	A	B	C	$\phi d$	$\phi D$	BOX	WEIGHT
61 5050 0078	RAP 7/8"	74	50	40	6 - 7	27 - 28	50	50
61 5050 0114	RAP 1.1/4"	83	50	51	6 - 7	39 - 40	50	54
61 5050 0114.01	RAP 1.1/4" - 25	107	50	53	6 - 7	39 - 40	50	74
61 5050 0148.01	RAP 1.5/8" S	106	50	62	6 - 7	47 - 50	50	64
61 5050 0158	RAP 1.5/8"	94	50	62	6 - 7	50 - 52	50	64

# RAF 8

## Hanging Clamps



### MATERIAL

AISI 304 Stainless Steel

### RAF 8

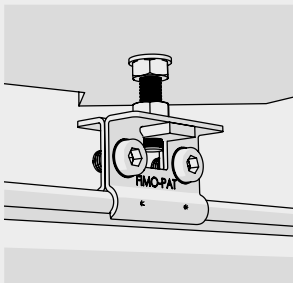
#### Hanging Clamp for Steel Rope

For fastenings on steel ropes  $\varnothing 6 - 10$ .  
Especially recommended for hanging steel rope supported cables.  
Locking through 2 M8 screws.

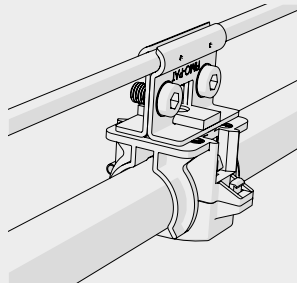
### RAF 8

#### Attache pour Cordes Portantes en Acier

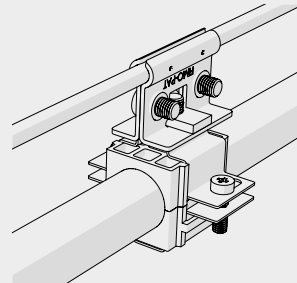
Élément pour la fixation sur des cordes en acier  $\varnothing 6 - 10$ . Elle trouve son emploi également pour la fixation de câbles autoportants. Elle se bloque à l'aide de deux vis M8.



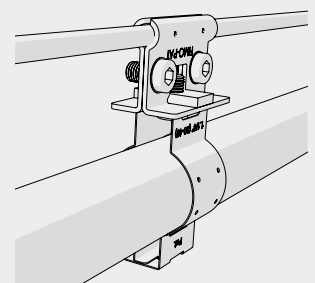
RAF 8 + MFI



RAF 8 + RAC



RAF 8 + RFQ



RAF 8 + SCC

CODE	ARTICLE	COMBINABLE WITH	BAG	BOX	WEIGHT
61 1530 0108	RAF 8	GO, RF Q, APM, STM, RAC	20	100	97

# REFERENCE LIST

## FIMO® Cable Clamps for Radiating Cables

Here below FIMO reference list of the main projects where FIMO RAC/RAP cable clamps and accessories have been used.

COUNTRY	PROJECT	PRODUCTS
<b>RAILWAY</b>		
GERMANY	GSM-R RAILWAY	RAC+DRA
AUSTRIA	RAILWAY TUNNELS	RAC+DRA
AUSTRIA	MOTORWAY TUNNELS	RAC+DRA
ITALY	GSM-R RAILWAY	RAC+DRA
FRANCE	GSM-R RAILWAY	RAC+DRA; RFQ+MEI
ITALY	RAILWAY TUNNELS *	RAC+DRA
SWITZERLAND	SAN GOTTARDO TUNNEL *	RAP
CHINA	HIGH SPEED TUNNEL Beijing-Shanghai *	RAC+DRA
TAIWAN	HIGH SPEED RAIL *	RAC+DRA
SPAIN	HIGH SPEED RAILWAY *	RAC+DRA
ROMANIA	RAYLWAY TUNNELS	RAC+DRA
NORWAY	RAYLWAY TUNNELS	RAC - RAW - RAX
TELAVIV - JERUSALEM	ISRAELI HIGH SPEED*	RAW - KIT RAW
* High Speed		
<b>MOTORWAY</b>		
AUSTRIA	MOTORWAY TUNNELS	RAC+DRA
ITALY	MOTORWAY TUNNELS	RAC+DRA
FRANCE	MOTORWAY TUNNELS	RAC+DRA
NEW ZEALAND	MOTORWAY TUNNELS	RAC+DRA
SPAIN	MOTORWAY TUNNEL	RAC+DRA
BELGIUM	MOTORWAY TUNNELS	RAC+DRA
NETHERLAND	MOTORWAY TUNNELS	RAC+DRA
FINLAND	MOTORWAY TUNNELS	RAC+DRA
GREECE	MOTORWAY TUNNELS	RAC+DRA
POLAND	MOTORWAY TUNNELS	RAC+DRA
ROMANIA	MOTORWAY TUNNELS	RAC+DRA
TURKEY	MOTORWAY TUNNELS	RAC+DRA
HOLLAND	THE GAASPERDAMMER TUNNEL	RAW - KIT RAW
<b>UNDERGROUND</b>		
AUSTRIA	VIENNA UNDERGROUND	RAC+DRA - RAW
FRANCE	PARIS UNDERGROUND (RATP)	RAC+DRA
SWEDEN	STOCKHOLM UNDERGROUND	RAC+DRA

COUNTRY	PROJECT	PRODUCTS
ITALY	ROME UNDERGROUND	RAC+DRA
DUBAI	DUBAI METRO	RAC+DRA
USA	NYC UNDERGROUND	RAC+DRA
USA	WMATA (Washington DC Metro)	RAR
GERMANY	NÜRNBERG SUBWAY	RAW - KIT RAW; SCC+MEI
FINLAND	HELSINKI SUBWAY	RAW
BELGIUM	ANTWERP SUBWAY	KIT RAW+PCO 60V+RSD
OTHERS		
SWEDEN	MINES GOLD	RAC+DRA
POLAND	MINES IRON	RAC+DRA



# Grounding Kits

Product Catalogue





# Grounding Kits

Grounding kits. FIMO Grounding Kits offer multiple solutions for the earthing of coaxial cables, hybrid cables and elliptical and rectangular waveguides.

*Kit de mise à la terre. Les kits de mise à la terre FIMO offrent de multiples solutions pour la connexion à la masse de câbles coaxiaux, de câbles hybrides et de guides d'onde elliptiques et rectangulaires.*



### CERTIFICATION

<b>Waterproof</b>	IP 67 IEC 60529
<b>Lightning Test (CESI)</b>	IEC 61312-1 grade III
<b>Temperature Range</b>	-50°/+80°C
<b>Contact Resistance</b>	<1 mOhm

### MATERIAL

<b>Contact Bar</b>	Tinned Brass
<b>Internal Contact</b>	Tinned Copper Mesh
<b>Protection</b>	NAS Black Self-Agglomerating Tape, U.V. Resistant
<b>Cable**</b>	16 mm <sup>2</sup> Copper, P.E. Insulated Black, According to CEI 20-22
<b>Colour</b>	Black

### UEK - Universal Earthing Kit

For coaxial cables and elliptic or rectangular waveguides.  
Only five items for the whole cable range.  
Easy to handle, safe, quick to install.  
Complete with connecting cable.

### UEK - Kit de Mise à la Terre Universel

*Pour câbles coaxiaux et guides d'onde elliptiques et rectangulaires.  
Seules cinq dimensions couvrent la gamme des câbles: Simple, sûr, rapide.  
Compléter de câble de raccordement.*

CODE	ARTICLE	CABLE ø	COAX CABLES	ELLIPT. GUIDES	**L	CONNECTING SCREW	BAG	BOX	WEIGHT
61 1502 0001	UEK 1	5 - 11	RG 223 - RG58-RG59 RG 8 - RG213/214 1/4" - 3/8"	220-380	500	M8	1	10	145
61 1502 0002	UEK 2	12 - 30	1/2"S - 3/8" - 1/2" - 5/8" 7/8"S - 7/8"	105-127-130 150-190	500	M8	1	10	180
61 1502 0003	UEK 3	31 - 60	1.1/4" - 1.5/8" - 2.1/4"	38-46-48-54 60-70-77-78-90	500	M8	1	10	210
61 1502 0004	UEK 4	40 - 115	1.1/4" - 1.5/8" 2.1/4" - 3"; 3.1/8" - 4.1/8"	38-46-48-54	500	M8	1	10	275
61 1502 0005	UEK 5	40 - 223	1.1/4" - 1.5/8"; 2.1/4" - 3" 2.1/4" - 3"; 3.1/8" - 4.1/8" - 5"; 6.1/8" - 8"	11-15-19-22 38-46-48-54	500	M8	1	10	350

**Storage :** UEK kit does not require a particular care in storing, apart from keeping it in its original packing, which protects it from water, grease and dust. Even extreme temperature conditions do not negatively affect the product.

# UEK M

## Grounding Kits

### UEK M - Monobloc Earthing Kit

For coaxial cables and elliptic or rectangular wave guides. Easy to handle, safe and quick to install. Earthing cable riveted directly to contact bar.

### UEK M - Kit de Mise à la Terre Monobloc

Pour câbles coaxiaux et guides d'onde elliptiques et rectangulaires. Montage simple, sûr et rapide. Câble de terre préfixé sur le contact au moyen de rivets.

CERTIFICATION	
Waterproof	IP 67 IEC 60529
Lightning Test (CESI)	IEC 61312-1 grade III
Temperature Range	-50°/+80°C
Contact Resistance	<1 mOhm

MATERIAL	
Contact Bar	Tinned Brass
Rivets	AISI 304 Stainless Steel
Internal Contact	Tinned Copper Mesh
Protection	NAS Black Self-Agglomerating Tape, U.V. Resistant
Cable**	16 mm <sup>2</sup> Copper, P.E. Insulated Black, According to CEI 20-22
Colour	Black



CODE	ARTICLE	CABLE ø	COAX CABLES	ELLIPT. GUIDES	**L	BAG	BOX	WEIGHT
61 1505 0001	UEK 1 M	5 - 11	RG 223 - RG58-RG59 RG 8 - RG 213/214; 1/4" - 3/8"	220 - 250 - 380	500	1	10	180
61 1505 0002	UEK 2 M	12 - 30	1/2"S - 3/8" - 1/2" - 5/8" 7/8"S - 7/8"	105 - 127 - 130 150 - 190	500	1	10	220
61 1505 0003	UEK 3 M	31 - 60	1.1/4" - 1.5/8" - 2.1/4"	52 - 54 - 60 - 63 - 64 70 - 77 - 78 - 90	500	1	10	245

**Storage :** UEK M kit does not require a particular care in storing, apart from keeping it in its original packing, which protects it from water, grease and dust. Even extreme temperature conditions do not negatively affect the product.



### UGK - Monobloc Earthing Kit

For coaxial cables and elliptic or rectangular waveguides.  
Easy to handle, safe, quick to install.  
Complete with connecting cable.

### UGK - Kit de Mise à la Terre Monobloc

*Pour câbles coaxiaux et guides d'onde elliptiques et rectangulaires.  
Simple, sûr, rapide.  
Compléter de câble de raccordement.*

#### CERTIFICATION

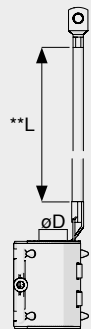
<b>Waterproof</b>	IP 67 IEC 60529
<b>Lightning Tested (CESI)</b>	IEC 61312-1 grade III-IV
<b>Temperature Range</b>	-50°/+80°C
<b>Contact Resistance</b>	<1 mOhm

#### MATERIAL

<b>Contact Bar</b>	Tin-plated Copper
<b>Rivets</b>	AISI 304 Stainless Steel
<b>Internal Contact</b>	Tinned Copper Mesh
<b>Protection</b>	NAS Black Self-Agglomerating Tape, U.V. Resistant
<b>Cable**</b>	16 mm <sup>2</sup> Copper, P.E. Insulated Black, According to CEI 20-22
<b>Colour</b>	Black

CODE	ARTICLE	CABLE ø	COAX CABLES	ELLIPT. GUIDES	**L	BAG	BOX	WEIGHT (gr)
65 1502 0001	UGK 1	5 - 11	RG 223 - RG58-RG59 RG 8 - RG 213/214; 1/4" - 3/8"	220 - 380	500	1	10	150
65 1502 0002	UGK 2	12 - 30	1/2"S -3/8" - 1/2" - 5/8" 7/8"S - 7/8"	105 -127 - 130 150 - 190	500	1	10	185
65 1502 0003	UGK 3	31 - 60	1.1/4" - 1.5/8" - 2.1/4"	52 - 54 - 60 - 63 - 64 - 65 70 - 77 - 78 - 90	500	1	10	220

**Storage :** UGK kit does not require a particular care in storing, apart from keeping it in its original packing, which protects it from water, grease and dust. Even extreme temperature conditions do not negatively affect the product.



• KMT  
Open

• KMT  
Closed

**KMT P E - Grounding Kit**  
For Copper or Aluminum corrugated coaxial  
Cables. Parallel Cable exit

Technical features:

- Compact structure
- Fast and easy installation
- Closure with a single screw
- Hinged rigid shell
- No loose parts
- No extra taping needed

**KMT P E - Kit de Mise à la Terre**  
Pour câbles coaxiaux plissés, en cuivre ou en  
aluminium. Sortie parallèle

Caractéristiques:

- Structure compacte
- Installation rapide
- Fermeture à l'aide d'une seule vis
- Coquille rigide articulée
- Sans pièces détachées
- Guipage supplémentaire non nécessaire

MATERIAL	
Shell	AISI 304 Stainless Steel
Gasket	EPDM Rubber U.V. Resistant
Inner Contact	Tinned Brass
Cable	16 mm <sup>2</sup> Copper (*10 mm <sup>2</sup> copper), Black PVC Insulated, Conforming to CEI 20-22 norms (Yellow/Green on Request)
Lug	Tinned Copper, ø 8 Hole (ø10 on re- quest)

CERTIFICATION	
Waterproof	IP 68 IEC 60529 (Fimo Test)
Environmental Test	IEC 68-2-14
Contact Resistance	<1 mOhm
Lightning Test (CESI)	MIL STD 1757
Corrosion Resistant	✓

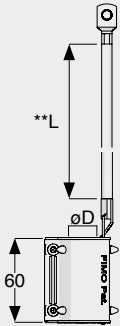
CODE	ARTICLE	FOR COAXIAL CABLES	ø D	L	BOX	WEIGHT
61 1540 9006	KMT 6 P E	RG 223-RG 58 (ø 5-6)	19	500*	10	240
61 1540 9007	KMT 7 P E	RG59 (ø 6-7)	19	500*	10	215
61 1540 9009	KMT 9 P E	1/4" superflex (ø 8-9)	19	500*	10	240
61 1540 9014	KMT 11 P E	RG 213/214-1/4"-3/8" (ø 10-11)	19	500	10	235
61 1540 9016	KMT 14- P E	1/2" superflex (ø 13-14)	25	500	10	246
61 1540 9012	KMT 1/2"- P E	1/2" (ø 16-17)	25	500	10	242
61 1540 9078	KMT 7/8"- P E	7/8"+ 7/8" superflex (ø 26-28)	36	500	10	258
61 1540 9114	KMT 1.1/4"- P E	1.1/4" (ø 38-40)	48	500	10	480

# CGK M

Compact Grounding Kits



GROUNDING KITS  
PRODUCT CATALOGUE



CGK M >  
Open

CGK M >  
Closed

## MATERIAL

<b>Shell</b>	AISI 304 Stainless Steel
<b>Gasket</b>	EPDM Rubber U.V. Resistant
<b>Inner Contact</b>	Tinned Brass
<b>Cable**</b>	16 mm <sup>2</sup> Copper, Black PVC Insulated, Conforming to CEI 20-22 Norms (yellow/green on request)
<b>Lug</b>	Tinned Copper, ø 8 hole (ø10 on request)

## CERTIFICATION

<b>Waterproof</b>	IP 68 IEC 60529 (Fimo Test)
<b>Enviromental Test</b>	IEC 68-2-14
<b>Contact Resistance</b>	<1 mOhm
<b>Corrision Resistant</b>	✓

### CGK M - Compact Monobloc Grounding Kit For Copper or Aluminum RF Coaxial Cables. Parallel Cable Exit

Technical features:

- Compact structure
- Fast and easy installation
- Closure with pressure plate
- Flexible metal shell
- No loose parts
- No extra taping needed

### CGK M - Kit de Terre Compact Monobloc Compact

Pour Câbles Coaxiaux RF, en Cuivre ou en  
Aluminium. Sortie Parallèle

Caractéristiques:

- Structure compacte
- Installation rapide
- Fermeture avec plaque
- Coquille métallique déformable
- Sans pièces détachées
- Guipage supplémentaire non nécessaire

CODE	ARTICLE	FOR COAXIAL CABLES	øD	**L	BOX	WEIGHT
61 1509 0016	CGK 1/2" S M	ø d 13-14 (1/2" superflex)	24	500	10	161
61 1509 0012	CGK 1/2" M	ø d 16-17 (1/2")	24	500	10	161
61 1509 0078	CGK 7/8" M	ø d 26-28 (7/8" + 7/8" superflex)	35	500	10	166
61 1509 0114	CGK 1.1/4" M	ø d 38-40 (1.1/4")	47	500	10	179

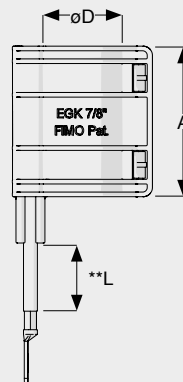


• EGK  
Open

• EGK  
Closed

MATERIAL	
Shell	PA 6, U.V. Resistant
Sealant	Isobutylene Strip
Inner Contact	Tinned Brass
Cable**	16 mm <sup>2</sup> Copper, Black PVC Insulated, Conforming to CEI 20-22 Norms (yellow/green on request)
Lug	Tinned Copper, ø 8 hole (* ø10 on request)

CERTIFICATION	
Waterproof	IP 68 IEC 60529 (Fimo Test)
Contact Resistance	<1 mOhm



**EGK**  
No Tools Compact Grounding Kit With Plastic Shell

For Copper or Aluminum RF coaxial cables. Parallel cable exit.

**Technical features:**

- Compact plastic structure
- Fast and easy installation, without the use of tools
- No loose parts
- No lubricant required
- No extra taping needed

**EGK**  
Kit Terra Compact avec Coquille en Plastique, Installation Sans Outils.

Pour câbles coaxiaux RF, en cuivre ou en aluminium. Sortie parallèle.

**Caractéristiques:**

- Structure compacte en plastique
- Installation rapide sans l'utilisation d'outils.
- Sans pièces détachées
- Lubrifiant non nécessaire
- Guipage supplémentaire non nécessaire

CODE	ARTICLE	FOR COAXIAL CABLES	øD	**L	BOX	WEIGHT
61 1508 0012	EGK 1/2" M	ø d 16-17 (1/2")	26.5	500	10	145
61 1508 0078	EGK 7/8" M	ø d 26-28 (7/8" + 7/8" superflex)	37.5	500	10	152
61 1508 0114	EGK 1.1/4" M	ø d 38-40 (1.1/4")	49.5	500	10	158



Connecting Cable

FMT



**FMT 15/80 - Earthing Kit for Connectors**

Complete with 16 mm<sup>2</sup> connecting cable.  
Lightning test according to standard IEC 61312-1 grade III (CESI).

**FMT 15/80 - Mise à la Terre pour Connecteurs**

Complet de câble de raccordement 16 mm<sup>2</sup>. Testé aux décharges atmosphériques conformément à la norme IEC 61312-1 degré III (CESI).

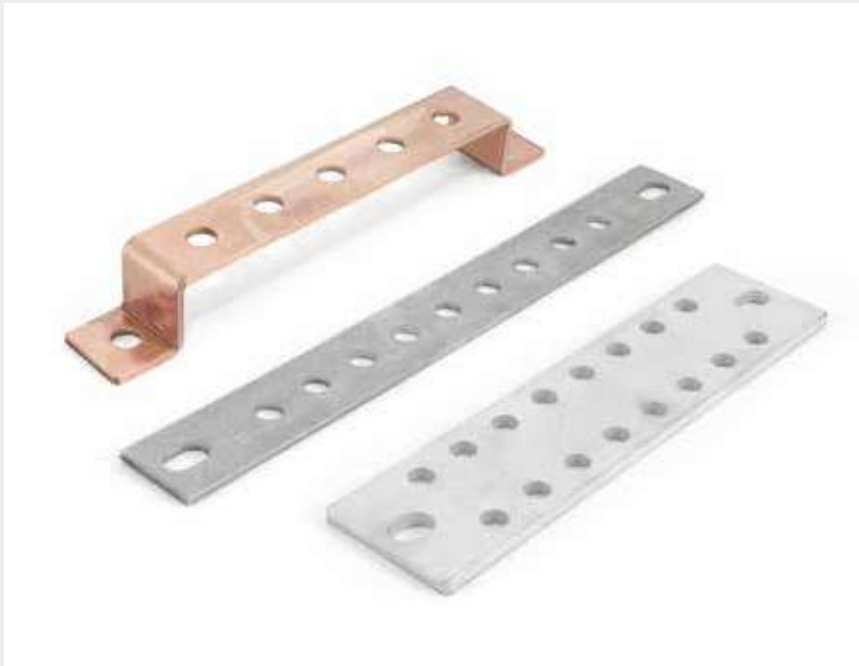
MATERIAL	
Contact	Tin Plated Copper
Connecting Cable	P.E. Insulated Copper According to CEI 20-22.
Colour	Black
M8 Screws	AISI 304 Stainless Steel

CODE	ARTICLE	DESCRIPTION	FOR CONNECTORS	øD	BAG	BOX	WEIGHT
61 1503 1580	FMT 15/80	Punched tinned copper strip 30x0,5, adjustable length	1/4" - 2.1/4"	15-80	10	100	170

# BEI · BEC · BES

## Grounding Bars

GROUNDING KITS  
PRODUCT CATALOGUE



**BEI - AISI 304 Grounding Bar**  
**BEC - Copper Grounding Bars**  
**BES - Tinned Copper Grounding Bars**

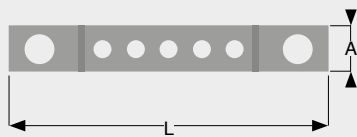
Suitable for **PMR** and **PPS** wall entries.

*BEI - Barre de Liaison Équipotentielle AISI 304*  
*BEC - Barres de Liaison Équipotentielle en Cuivre*  
*BES - Barres de Liaison Équipotentielle en Cuivre Étamé*

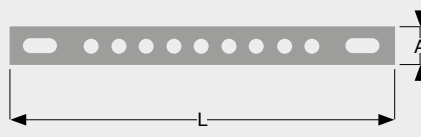
Applicable aux plaques murales **PMR** et **PPS**.

### MATERIAL

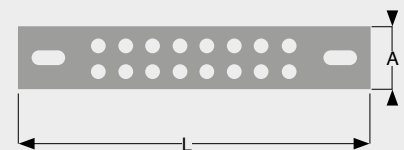
<b>BEI</b>	AISI 304 Stainless Steel
<b>BEC</b>	Copper
<b>BES</b>	Tinned Copper



**BEC**



**BEI / BEC / BES**



**BEI / BEC / BES**

CODE	ARTICLE/DESCRIPTION	L	A	N° HOLES	SHAPE	SUITABLE TO	BAG	BOX	WEIGHT
61 1517 9350	BEI 9x8	250	30	9 x Ø 8.5	FLAT	PMR - PPS	1	10	235
61 1517 9352	BEI 20xM8	300	40	20 x M8	FLAT	-	1	10	288
61 1517 0510	BEC 5x10	215	30	5 x Ø 10,5	ANGULAR	-	1	10	210
61 1517 9300	BEC 9xM8	250	30	9 x M8	FLAT	PMR - PPS	1	10	270
61 1517 9301	BEC 16xM8	300	40	16 x M8	FLAT	-	1	10	470
61 1517 9302	BEC 20xM8	300	40	20 x M8	FLAT	-	1	10	435
61 1517 9305	BEC 28xM8	300	50	28 x M8	FLAT	-	1	10	667
61 1517 9304	BES 5xM8	170	30	5 x M8	FLAT	-	1	10	136
61 1517 9306	BES 16x8	200	50	16 x Ø 8.5	FLAT	-	1	10	445
61 1517 9307	BES 16/2x8	250	50	16 x Ø 8.5	FLAT	PMR - PPS	1	10	556
61 1517 9303	BES 20xM8	300	40	16 x M8	FLAT	-	1	10	320



**ISO**  
**Electrical Insulators**

ISO Electrical Insulators are used to insulate grounding bars fixed on towers or other metal structures.

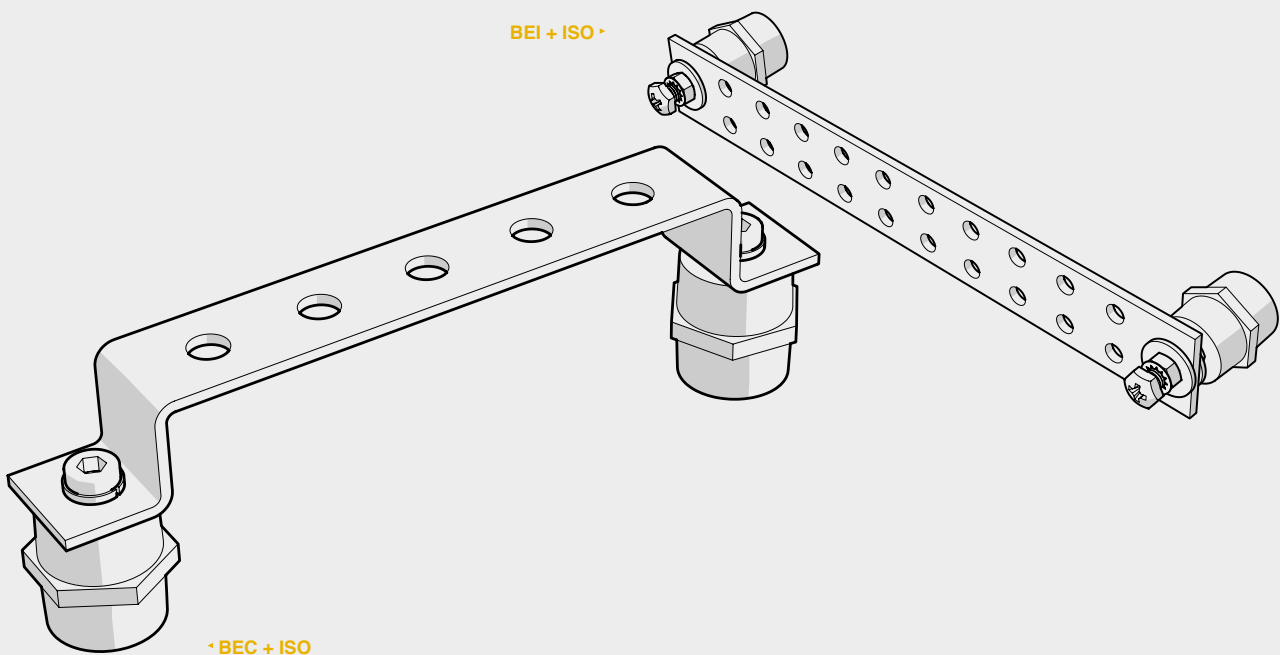
Installed between the equipotential bar and the metal structure, ISO insulators guarantee electrical insulation of the bar with respect to the structure.

**ISO**  
**Isolateurs Électriques pour Barres Équipotentielles**

Les isolateurs ISO sont utilisés pour isoler les barres équipotentielles attachées aux tours ou à d'autres structures métalliques. Installés entre la barre équipotentielle et la structure métallique, les isolateurs ISO garantissent l'isolation électrique de la barre par rapport à la structure.

**MATERIAL**

Fiberglass Reinforced Polyester



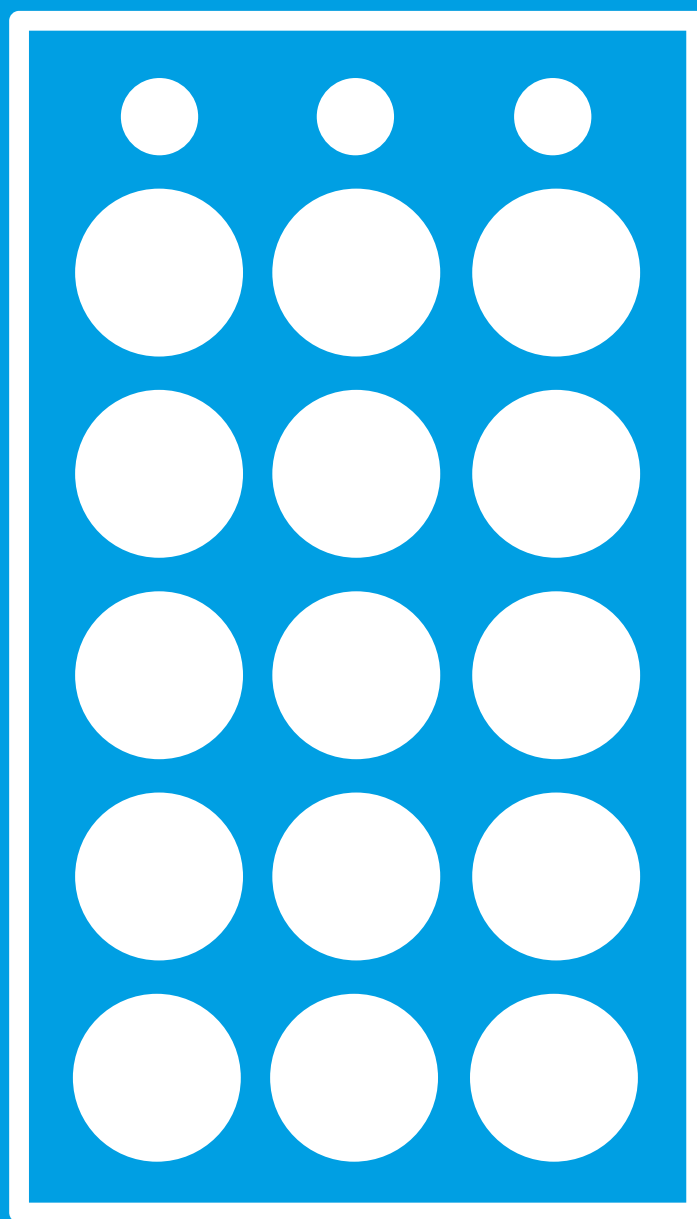
CODE	ARTICLE/DESCRIPTION	DIMENSIONS (mm)	THREAD	BOX	WEIGHT (gr)
61 7001 0001	ISO 3235 M8	32x35	M8	10	60
61 7001 0002	ISO 3030 M6	30x30	M6	10	76





# Wall Entries & Cushions

Product Catalogue





# Wall Entries

Wall entries, waterproof and fire resistant, for coaxial cables, waveguides, optical fibers, power cables and any type of pipes. FIMO's wall entries are suitable for installations in the telecommunication industry as well as in the shipyards, constructions, oil&gas, offshore, aeolian industry and in all industrial infrastructures.

*Traversées de paroi murales à tenue étanche et résistantes au feu pour câbles coaxiaux, guides d'onde, fibres optiques, câbles de puissance et tubes en général. Les plaques passe-câbles FIMO sont adaptées pour des installations dans les secteurs des télécommunications, de l'industrie navale, du bâtiment, huile&gaz, des plates-formes offshore, de l'industrie éolique et des infrastructures en général.*



• PMR 230/02  
Empty Frames

• PMR 230/15x28-16  
Standard  
Combination

### PMR - Rectangular Wall Entry

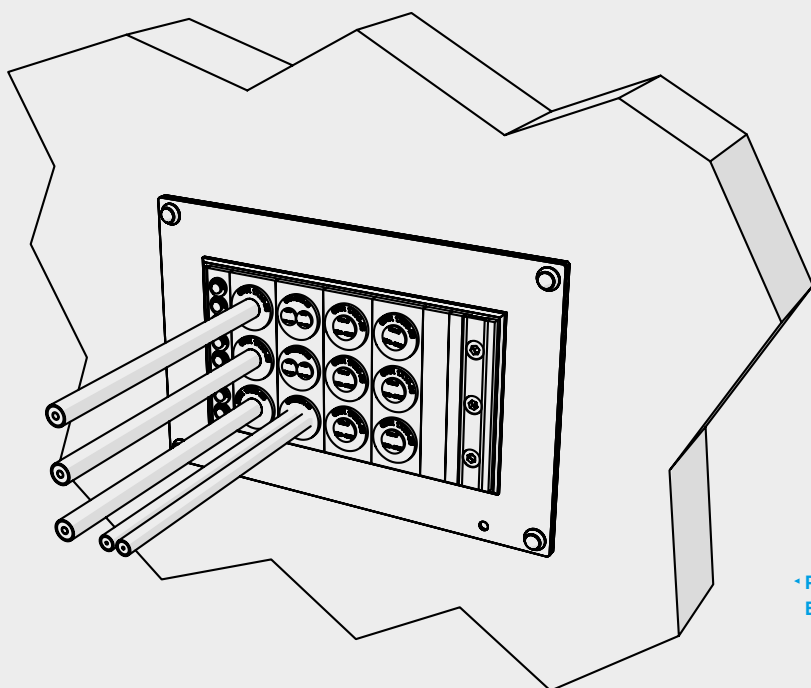
- For a tight sealing of cables
- For rectangular openings in masonry or shelters
- Compact outer dimensions
- Large choice of combinable cushions
- Simple and quick installation procedure
- Rapid sealing, with 3 screws only

### PMR - Plaque Passe-câbles Murale Rectangulaire

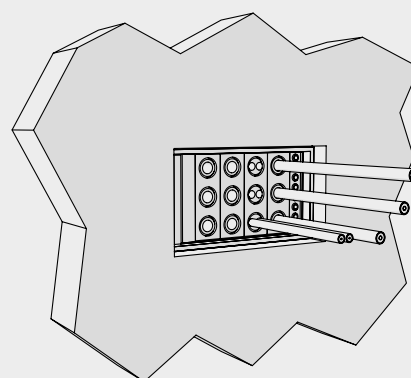
- *Fermeture hermétique de passage de câbles*
- *Ouverture rectangulaire en maçonnerie et panneaux*
- *Dimensions externes réduites*
- *Ample choix de garnitures combinables.*
- *Installation simple et rapide.*
- *Fermeture simplifiée à l'aide de seulement 3 vis.*

### CERTIFICATION

<b>Waterproof</b>	IEC 60529 IP67
<b>Fire Resistance</b>	REI 120
<b>Fire Resistance</b>	EN 1366-3:2009

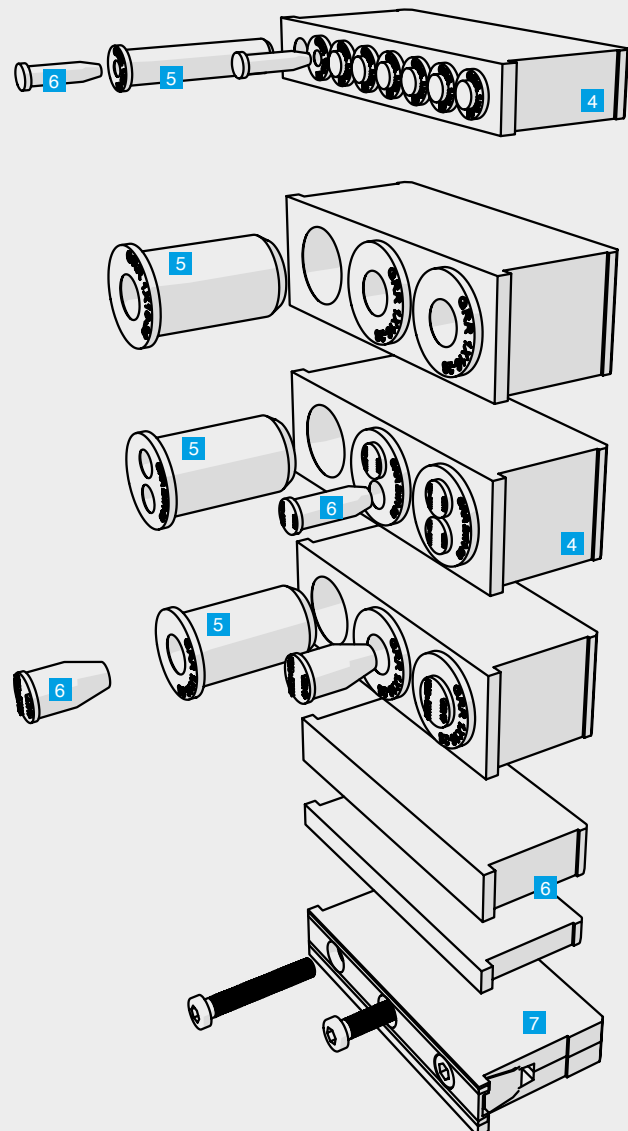
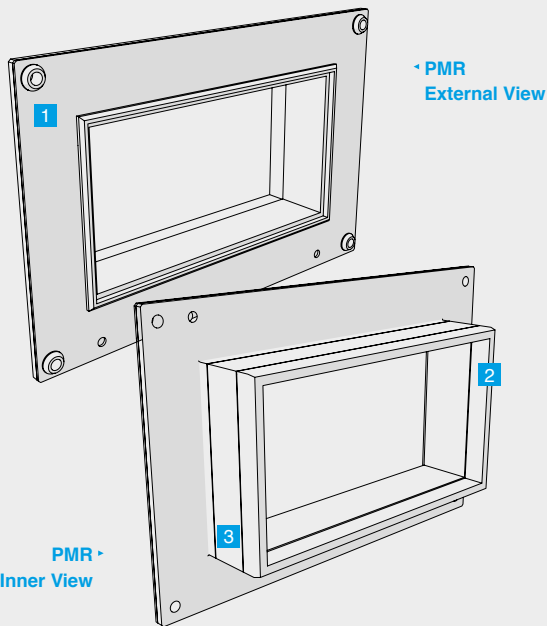


• PMR  
External View



• PMR  
Inner View

PMR Kit Example Components



**DESCRIPTION**

1. AISI 304 stainless steel Frame
2. Black EPDM Body of Wall Entry
3. Internal AISI 304 stainless steel Collar
4. EPDM black rectangular Cushions - **GPR**
5. EPDM black round Reductions - **GRR**
6. Blind Cushion - **GTR**
7. Tightening Expander - **GPE 20**

**DESCRIPTION**

1. Cadre frontal en acier AISI 304
2. Corps de la plaque de EPDM noir
3. Collier interne en acier AISI 304
4. Garnitures rectangulaires de EPDM noir - **GPR**
5. Réductions rondes de EPDM noir - **GRR**
6. Bouchon garniture de EPDM noir - **GTR**
7. Expandeur pour d'étanchéité - **GPE 20**

### PMR - Basic Built-in Frame Empty, closed by removable membrane

The rectangular built-in Frame, is joined to an EPDM rubber gasket, temporarily closed by a removable sheet.

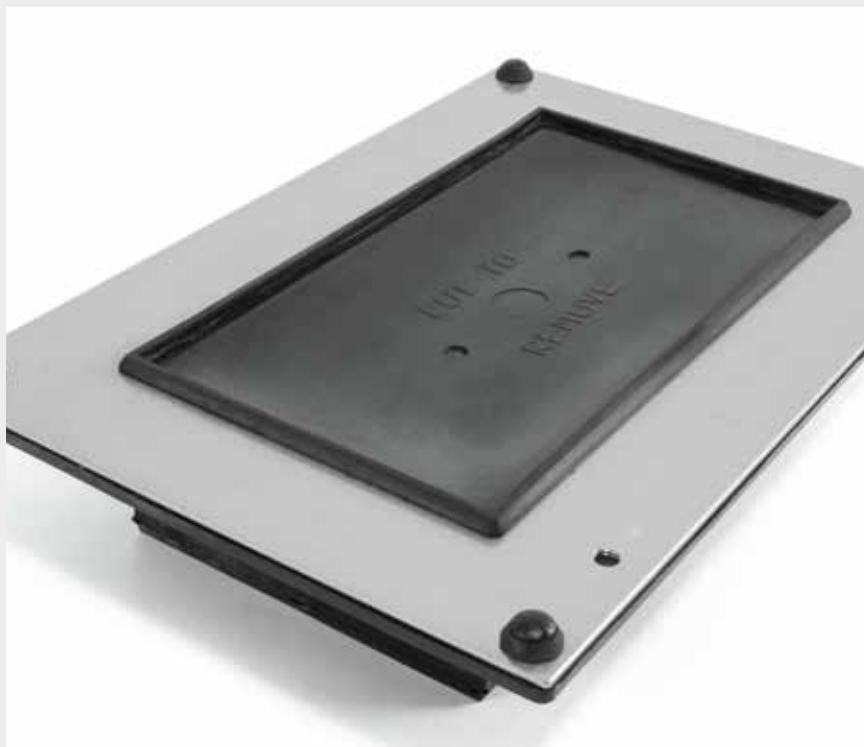
Its window is suitable to house rectangular **GPR** cushions with round passages of different diameters.

Round **GRR** and **GRE** reductions with **GTR** round plugs, fit in the passages. The **GPE** mechanical expander efforts the final tightening of the system.

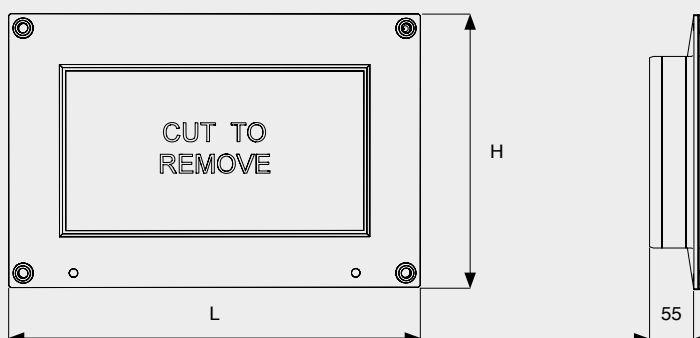
### PMR - Cadre Base à Encastrement Vide, fermé par une membrane









Le cadre rectangulaire à encastrement en acier, est couplé à une garniture en EPDM. L'ouverture de passage rectangulaire est fermée par une membrane amovible.

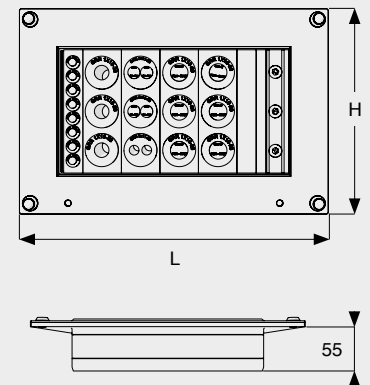
Le passage rectangulaire peut accueillir les garnitures rectangulaires **GPR**, qui peuvent contenir les garnitures rondes **GRR** et **GRE** de différents diamètres et leurs bouchons **GTR**. Le spécial expandeur **GPE** est introduit afin d'obtenir une fermeture étanche du système.



MATERIAL	
Frame and Collar	AISI 304 Stainless Steel
Gasket	Black EPDM UV Resistant



CODE	ARTICLE	HOLE MEASURES	FRAME LxH	WALL OPENING Dimensions Referred to Frame's external size	BOX	WEIGHT
61 1511 1400	PMR 140/01	 140x120	240x220	 160x140	1	870
61 1511 2300	PMR 230/02	 230x120	330x220	 250x140	1	1350
61 1511 2800	PMR 280/03	 280x120	380x220	 300x140	1	1700
61 1511 3300	PMR 330/04	 330x120	430x220	 350x140	1	1900



### PMR - Standard Combined Wall-Entry Frame with cushions

Standard combination of **PMR** wall entry. Frame complete with rectangular **GPR** cushions, round **GRR** reductions and **GTR** blind cushions, as well as tightening expander **GPE**.

**More combinations are available on request.**



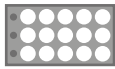

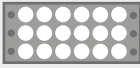



### PMR - Plaque Passe-câbles Combinée Standard Cadre plus garnitures

*Plaque passe-câbles murale **PMR** en combinaisons standard. Cadres fournis complets de leurs garnitures rectangulaires **GPR**, de réductions rondes **GRR** et de bouchons **GTR**, ainsi que d'expandeur **GPE** pour le d'étanchéité final du système.*

***D'autres combinaisons sont disponibles sur demande.***

### MATERIAL

<b>Gasket and Cushions</b>	Black EPDM U.V. Resistant
<b>Frame and Collar</b>	AISI 304 Stainless Steel
<b>Expander</b>	Black EPDM + ZAMAK

CODE	ARTICLE	HOLE MEASURES	FRAME LxH	WALL OPENING Dimensions Referred to Frame's external size	BOX	WEIGHT
61 1511 1409	PMR 140/9x28-16	 9x7/8" - 1/2"	240x220	 160x140	1	1690
61 1511 2315	PMR 230/15x28-16	 15x7/8" - 1/2"	330x220	 250x140	1	2695
61 1511 2818	PMR 280/18x28-16	 18x7/8" - 1/2"	380x220	 300x140	1	3940
61 1511 3321	PMR 330/21x28-16	 21x7/8" - 1/2"	430x220	 350x140	1	4470

# COR

## Steel Frames

### COR - Steel Frame for GPR Cushions

For the realization of the wall entries in combination with **GPR**, **GPT** cushions and **GPE 20** Tightening Expander.

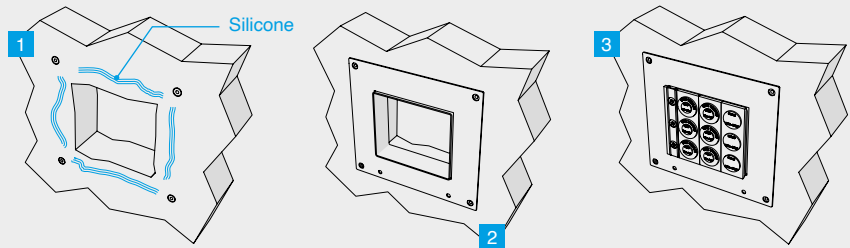
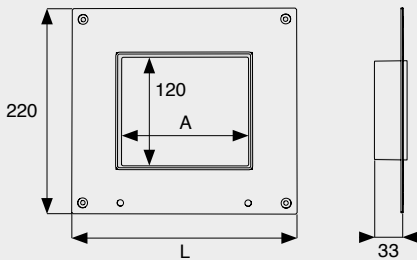
### COR - Cadre en Acier pour Garnitures GPR






Pour la réalisation de plaques passe-câbles murales en combinaison aux garnitures **GPR**, **GPT** et à l'expandeur **GPE 20**.



#### MATERIAL

Black Polyester Painted Mild Steel



CODE	ARTICLE	MEASURES		WALL OPENINGS Dimensions Referred to Frame's external size	FOR	BOX	WEIGHT
		A	L				
61 1511 2014	COR 140	140	240	 160x140		1	900
61 1511 2018	COR 180	180	280	 200x140		1	1100
61 1511 2023	COR 230	230	330	 250x140	GPR GPT GPE 20	1	1400
61 1511 2028	COR 280	280	380	 300x140		1	1800
61 1511 2033	COR 330	330	430	 350x140		1	2250

# COR

## Combined Wall Entries

### COR - Standard Combined Wall-Entry Frame with cushions

Standard combinations of **COR** wall entries. Frame complete with rectangular **GPR** cushions, round **GRR** reductions and **GTR** blind cushions, as well as tightening expander **GPE**.

More combinations are available upon request.

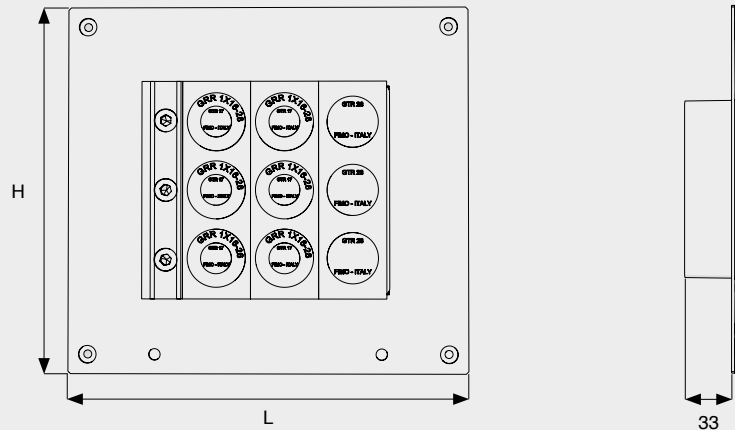
### COR - Plaque Passe-câbles Combinée Standard Cadre plus garnitures









Plaque passe-câbles murale **COR** en combinaisons standard. Cadres fournis complets de leurs garnitures rectangulaires **GPR**, de réductions rondes **GRR** et de bouchons **GTR**, ainsi que d'expandeur **GPE** pour le étanchéité final du système.

D'autres combinaisons sont disponibles sur demande.



MATERIAL	
Gasket and Cushions	Black EPDM U.V. Resistant
Frame	Black Polyester Painted Mild Steel
Expander	Black EPDM + ZAMAK



CODE	ARTICLE	CABLE HOLES	FRAME LxH	WALL OPENINGS Dimensions Referred to Frame's external size	BOX	WEIGHT
61 1511 3014	COR 140/9x28-16	 9x7/8" - 1/2"	240x220	 160X140	1	1720
61 1511 3023	COR 230/15x28-16	 15x7/8" - 1/2"	330x220	 250X140	1	2745
61 1511 3028	COR 280/18x28-16	 18x7/8" - 1/2"	380x220	 300X140	1	4040
61 1511 3033	COR 330/21x28-16	 21x7/8" - 1/2"	430x220	 350X140	1	4820

# CPR

## Internal Protection Frames



### CPR - Internal Protection Frame

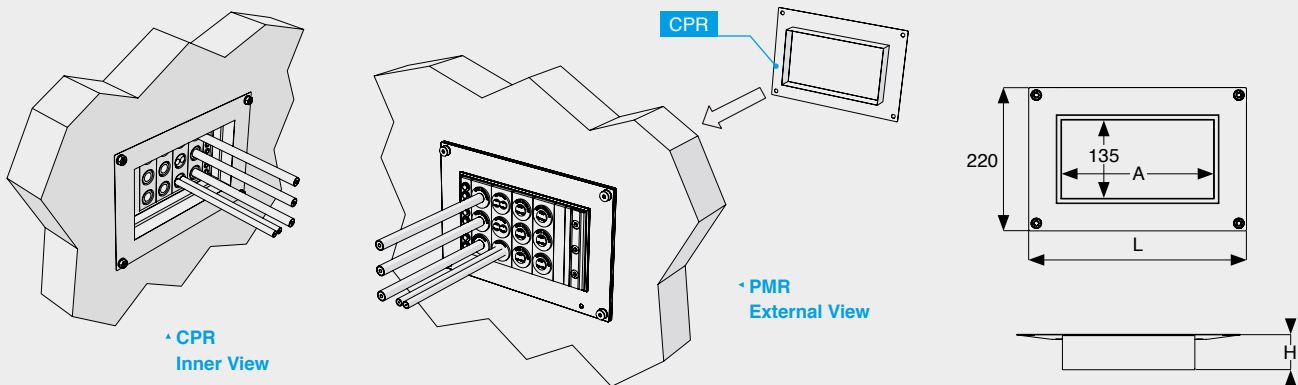
For the shelter internal wall finishing with the **PMR** and **COR** Wall Entry.

### CPR - Cadre de Protection Interne

Pour la finition de la face interne de la paroi shelter en combinaison à la plaque passe-câble **PMR** et **COR**.

#### MATERIAL

Galvanized Mild Steel



CODE	ARTICLE	MEASURES			WALL OPENINGS Dimensions Referred to Frame's external size	FOR WALL ENTRY	BOX	WEIGHT
		A	L	H				
61 1511 1014	CPR 140/35	155	240	35		PMR 140/01	1	295
61 1511 0014	CPR 140/70			70	160x140	COR 140		380
61 1511 1023	CPR 230/35	245	330	35		PMR 230/02	1	465
61 1511 0023	CPR 230/70			70	250x140	COR 230		600
61 1511 1028	CPR 280/35	295	380	35		PMR 280/03	1	560
61 1511 0028	CPR 280/70			70	300x140	COR 280		725
61 1511 1033	CPR 330/35	345	430	35		PMR 330/04	1	655
61 1511 0033	CPR 330/70			70	350x140	COR 330		845

# PTR 200/185 RO

## Wall Entries

### PTR 200/185 RO - Waterproof Wall Entry

The central 185 Ø opening is temporarily sealed with an easily removable rubber sheet. The opening is conceived to host broadcasting cables and big diameter pipes, as well as different diameters, thanks to the use of **GRR** round reduction cushions.

The final sealing is ensured by tightening the hose clamp.

### PTR 200/185 SQ - Plaque Passe-câbles Murale Étanche

L'ouverture centrale Ø 185, fermée par une pellicule facilement amovible, est prédisposée pour accueillir des câbles broadcasting et des tubes de grande dimensions et de différents diamètres au moyen de garnitures de réduction rondes de la série **GRR**. Le étanchéité final est possible en serrant le collier.

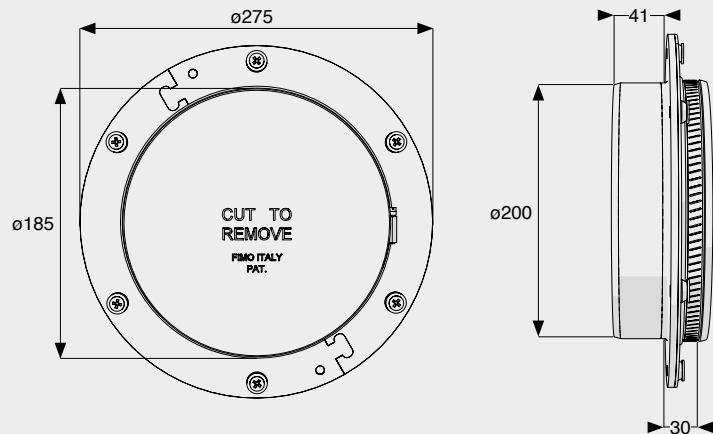


#### CERTIFICATION

Waterproof	IEC 60529 IP67
Fire Resistance	EN 1366-3:2009

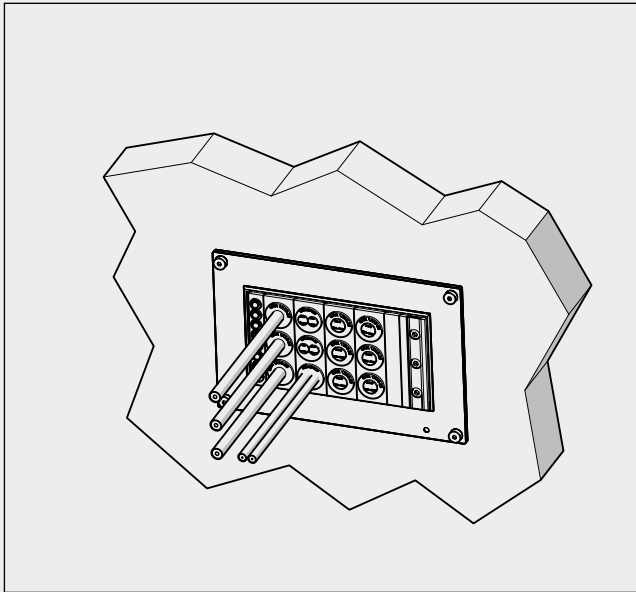
#### MATERIAL

Gasket	Black EPDM U.V. Resistant
Flange	AISI 304 Stainless Steel
Hose Clamp	AISI 304 Stainless Steel
Internal Collar	AISI 304 Stainless Steel

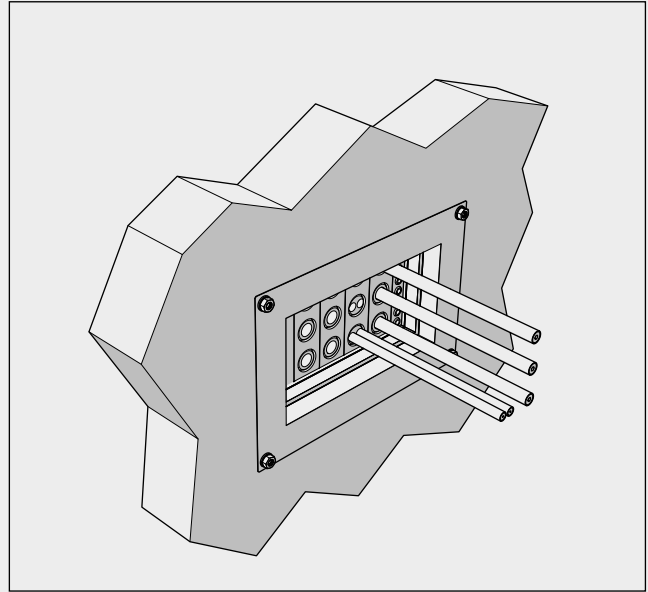


CODE	ARTICLE	HOLES	WALL OPENINGS Dimensions Referred to Frame's external size	LUS	BOX	WEIGHT
61 1513 2185	PTR 200/185 RO	Ø185	Ø 200-205	1	1	550

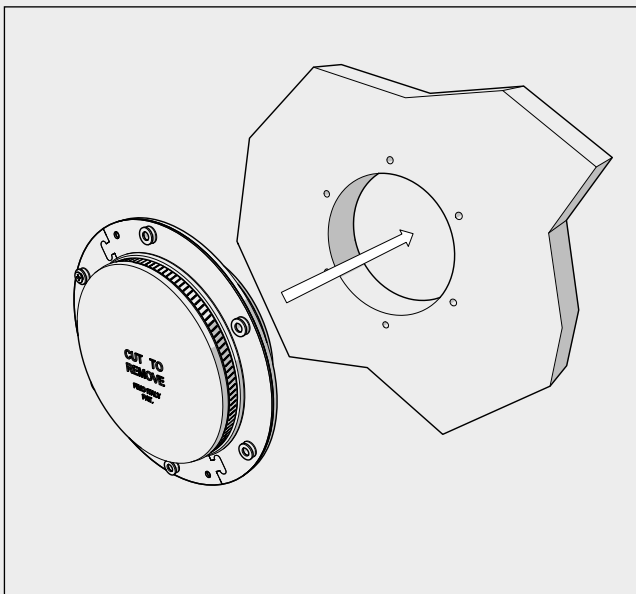
# INSTALLATION EXASMPLES



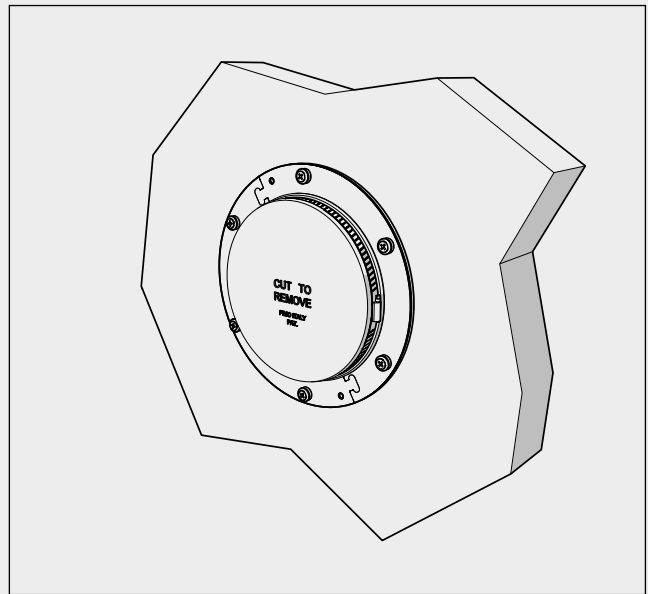
PMR



PMR



PTR

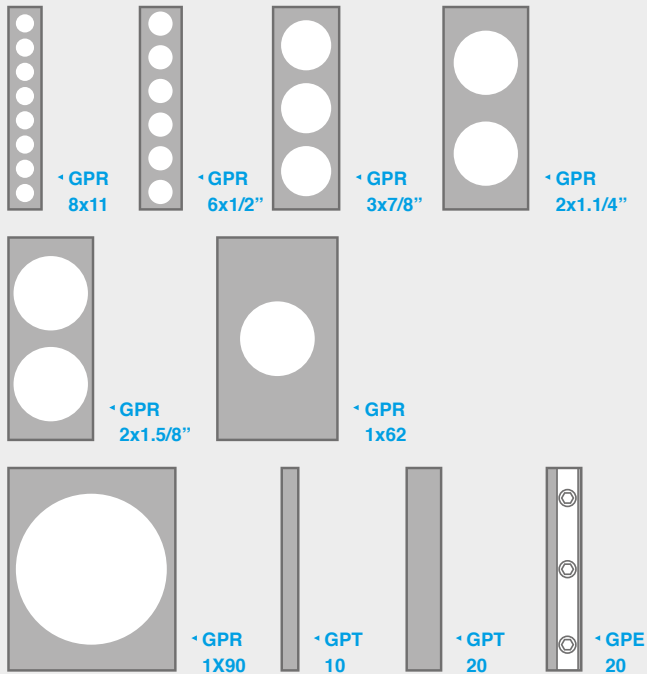


PTR

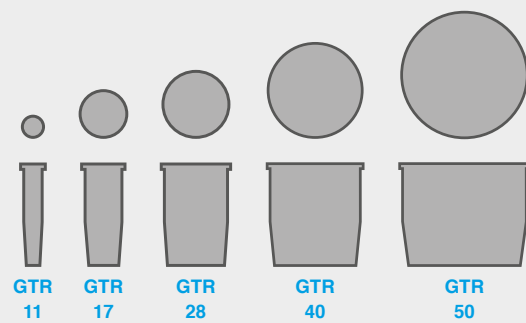
# CUSHIONS AND COMBINATIONS

GPT · GPE · GTR · GRR

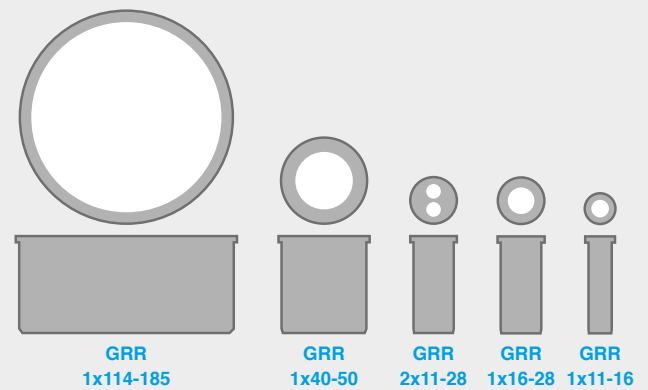
GPR · GPT · GPE - Cushions + Expander



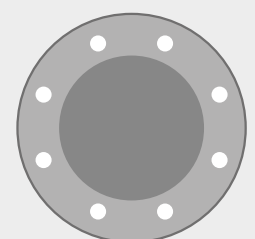
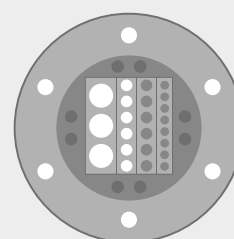
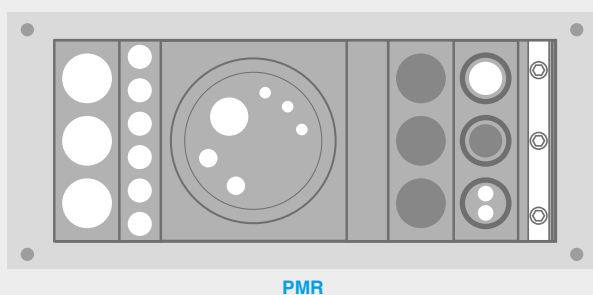
GTR - Round Blind Plugs



GRR - Round Reductions



PMR/PTR - Wall Entry Mounting



## Rectangular Cushions

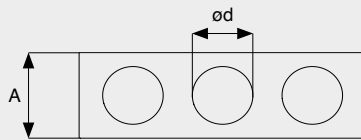
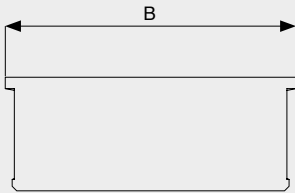
### GPR - Rectangular Cushions for PMR

EPDM rubber rectangular Cushions with calibrated holes for coaxial cables. They perfectly suit the **PMR** and **COR** frames. Thanks to the **GPE** expander action, the water tightness of the system is ensured.

### GPR - Garnitures Rectangulaire pour PMR

Blocs rectangulaires avec trous calibrés pour câbles coaxiaux. Ils s'introduisent dans les cadres **PMR** et **COR** en s'adaptant parfaitement.

L'expandeur **GPE** les compressent pour obtenir le étanchéité du passage.



#### MATERIAL

Black EPDM, U.V. Resistant

FIGURE	CODE	ARTICLE	HOLES	ø d	A	B	BAG	BOX	WEIGHT
	61 0120 8011	GPR 8x11	8	10÷11	20	120	10	50	100
	61 0120 6012	GPR 6x1/2"	6	16÷17	30	120	10	50	140
	61 0120 3078	GPR 3x7/8"	3	27÷28	40	120	10	50	170
	61 0120 2114	GPR 2x1.1/4"	2	39÷40	60	120	10	50	285
	61 0120 2158	GPR 2x1.5/8"	2	50÷52	60	120	10	50	195
	61 0120 1062	GPR 1x62	1	61÷63	90	120	10	50	330
	61 0120 0090	GPR 1x90	1	89÷91	120	120	10	50	435
	61 0120 1115	GPR 1x115	1	114÷116	120	120	10	50	360
	61 0120 1090	GPR 1x90 HC	1	88÷90	120	120	10	50	440

# GPT · GPE

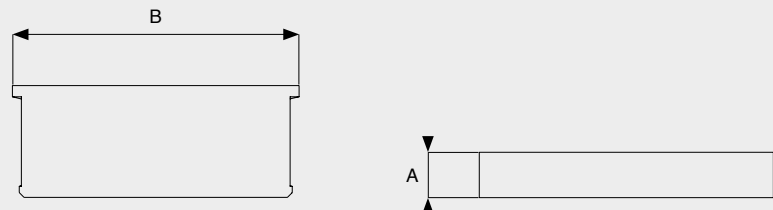
## Rectangular Cushions

### GPT - Rectangular Blind Cushions

Rectangular cushions to complete the configuration of the **PMR** and **COR** wall entry, after the **GPR** cushions introduction.

### GPT - Garnitures Bouchon Rectangulaires

Garniture rectangulaire pour fermer les espaces inutilisés de la traversée **PMR** et **COR**, après l'insertion de garnitures **GPR**.



MATERIAL	
Black EPDM, U.V. Resistant	

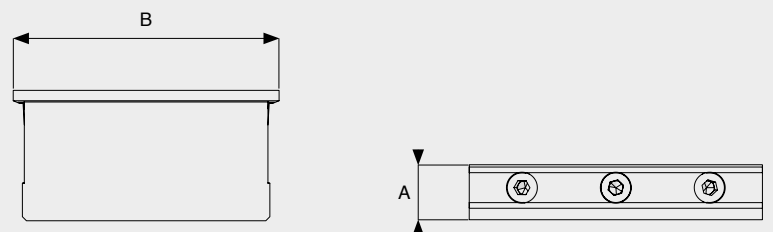
FIGURE	CODE	ARTICLE	A	B	BAG	BOX	WEIGHT
	61 0120 0010	GPT 10	10	120	10	50	70
	61 0120 0020	GPT 20	20	120	10	50	140

### GPE 20 - Tightening Expander

Consisting of an external rubber body extendable by means of the wedge expander. Only three M8 screws, to seal the **PMR** and **COR** wall entry, after the insertion of **GPR** cushions and cables.

### GPE 20 - Expandeur de Étanchéité

Élément composé de corps externe en caoutchouc pouvant être écarté par un expandeur en forme cale actionné par trois vis M8. Le étanchéité de la plaque passe-câbles **PMR** et **COR** est possible après avoir introduit les garnitures **GPR** et les câbles.



MATERIAL	
Cushions	Black EPDM U.V. Resistant
Metal Wedge	Black ZAMAK
M8 screws	AISI 304 Stainless Steel

FIGURE	CODE	ARTICLE	A	B	BAG	BOX	WEIGHT
	61 0120 0001	GPE 20	20	120	1	10	330



### PPS - Wall Entry

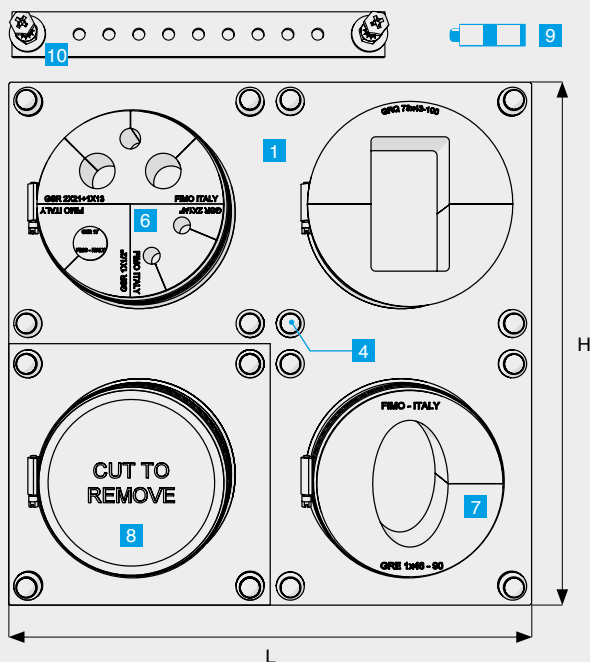
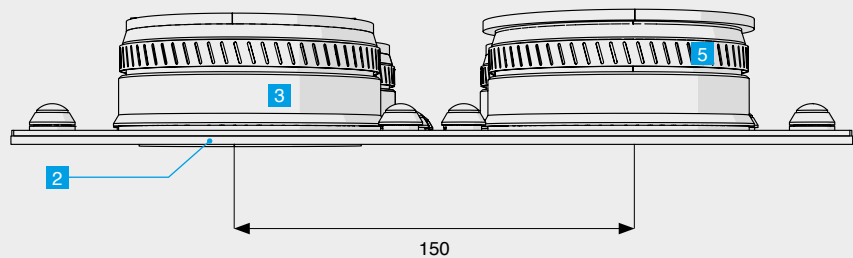
Passing through Ø 40, 62, 90, for any kind of cable.  
Easy and quick sealing with hose clamp.  
Easy and quick installation.  
Fixings accessories included.  
Round and sectorial cushions available.  
Grounding bar on request.

### PPS - Plaque Passe-câbles Murale

Passages pour câbles de tout type Ø 40, 62, 90.  
Fermeture étanche rapide à l'aide de colliers INOX.  
Simple et rapide et facile à monter.  
Accessoires de fixation inclus.  
Ample choix de garnitures cylindriques et sectorielles.  
Barre équipotentielle sur demande.

#### CERTIFICATION

<b>Waterproof</b>	IEC 60529 IP67
<b>Fire Resistance</b>	REI 120
<b>Fire Resistance</b>	EN 1366-3:2009



#### DESCRIPTION




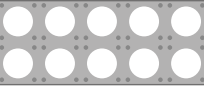
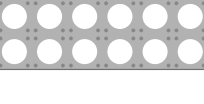
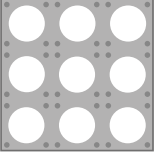
1. AISI 304 Stainless Steel Plate
2. Black EPDM Gasket
3. Elastic Collar
4. Removable Plastic Pin
5. Hose Clamp AISI 304 for Collar (**FAS**)
6. Sectorial Cushions (**GSR** and **GST**)
7. Round Cushions (**GRE**)
8. Removable Protective Film
9. Silicon Lubricant (**LUS**)
10. Grounding Bar on request (**BEI - BEC - BES**)

#### DESCRIPTION

1. Plaque en acier INOX AISI 304 (V2A)
2. Garniture EPDM noir
3. Collier élastique
4. Bouchon en plastique amovible
5. Liens AISI 304 serre collier (**FAS**)
6. Garnitures sectorielles (**GSR** et **GST**)
7. Garnitures rondes (**GRE**)
8. Membrane de protection amovible
9. Lubrifiant de silicone (**LUS**)
10. Barre équipotentielle (**BEI - BEC - BES**) sur demande



FIGURE	CODE	ARTICLE	HOLES	MEASURES		WALL HOLE		FAS	LUS	BAG	BOX	WEIGHT
				H	L							
	61 1515 0138	PPS 1/40	1 x Ø 40	65	65	1 x Ø 40	-	1	1	1	10	125
	61 1515 0238	PPS 2/40	2 x Ø 40	65	130	2 x Ø 40	-	2	2	1	10	250
	61 1515 0338	PPS 3/40	3 x Ø 40	65	195	3 x Ø 40	-	3	2	1	10	375
	61 1515 0162	PPS 1/62	1 x Ø 62	85	85	1 x Ø 62	-	1	1	1	10	157
	61 1515 0262	PPS 2/62	2 x Ø 62	85	170	2 x Ø 62	-	2	2	1	10	314
	61 1515 0362	PPS 3/62	3 x Ø 62	85	255	3 x Ø 62	-	3	2	1	10	471
	61 1515 0001	PPS 90	1 x Ø 90	115	115	1 x Ø 100	-	1	1	1	10	330
	61 1515 0011	PPS 1/ 90	1 x Ø 90	150	150	1 x Ø 90z	90 x 90	1	1	1	10	560
	61 1515 0012	PPS 2/ 90	2 x Ø 90	150	300	2 x Ø 90	90 x 240	2	2	1	-	1000
	61 1515 0013	PPS 3/ 90	3 x Ø 90	150	450	3 x Ø 90	90 x 390	3	2	1	-	1400
	61 1515 0022	PPS 2x2/ 90	4 x Ø 90	300	300	4 x Ø 90	240 x 240	4	2	1	-	2000
	61 1515 0023	PPS 2x3/ 90	6 x Ø 90	300	450	6 x Ø 90	240 x 390	6	3	1	-	3000

FIGURE	CODE	ARTICLE	HOLES	MEASURES		WALL HOLE		FAS	LUS	BAG	BOX	WEIGHT
				H	L							
	61 1515 0024	PPS 2x4/ 90	8 x Ø 90	300	600	8 x Ø 90	240 x 540	8	3	1	-	4000
	61 1515 0025	PPS 2x5/ 90	10 x Ø 90	300	750	10 x Ø 90	240x690	10	4	1	-	5200
	61 1515 0026	PPS 2x6/ 90	12 x Ø 90	300	900	12 x Ø 90	240 x 840	12	4	1	-	5800
	61 1515 0033	PPS 3x3/ 90	9 x Ø 90	450	450	9 x Ø 90	390 x 390	9	4	1	-	4600



PPS 2x90 ·  
Without  
Cushions

PPS 2x2/90 ·  
With GSR and  
GST Cushions





### PAS 90 - Assembly Wall Entry

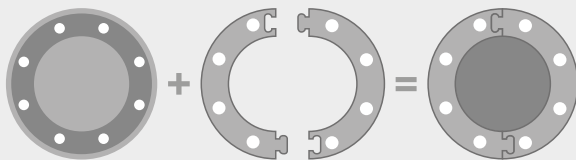
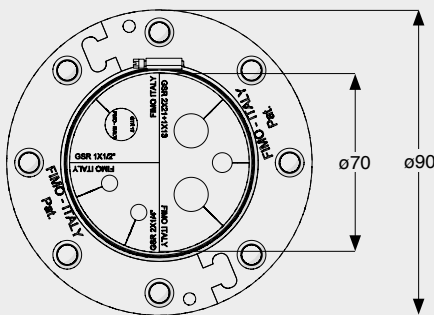
To seal passages of cables, even when already installed.  
Combinable with FIMO GSR, GSE, GST cushions.

### PAS 90 - Plaque Passe-câbles à Assembler

Pour la fermeture de passages de câbles à travers des parois. Applicable également sur des câbles déjà installés.  
Combinable avec des garnitures sectorielles FIMO GSR, GSE, GST.

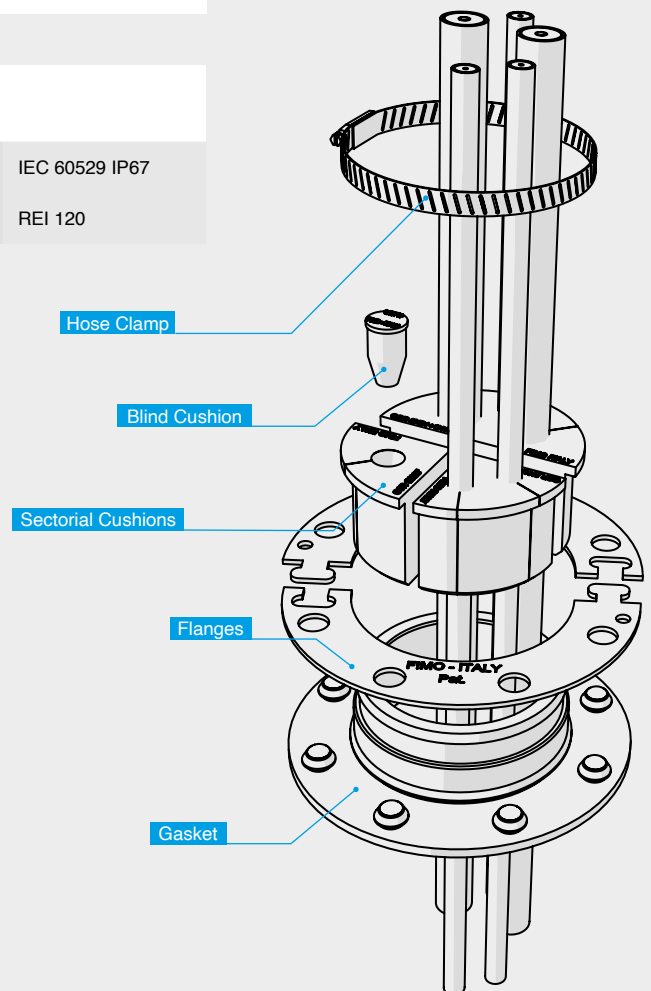
MATERIAL	
Gasket	Black EPDM U.V. Resistant
Flanges	AISI 304 Stainless Steel
Hose Clamp	AISI 304 Stainless Steel

CERTIFICATION	
Waterproof	IEC 60529 IP67
Fire Resistance	REI 120



EPDM Gasket

AISI 304 Flanges



CODE	ARTICLE	TRACES	WALL HOLE	LUS	BOX	WEIGHT
61 1513 0090	PAS 90	Ø 90	Ø 92÷110	1	1	550



### PGA 4/90 and PGA 5/90 - Cap Wall Entry

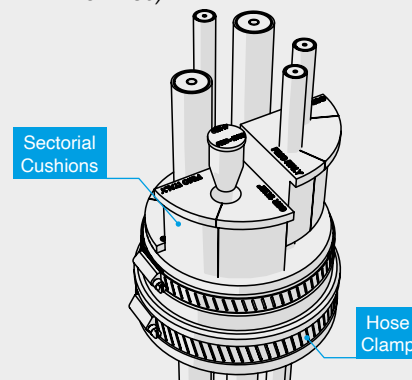
Waterproof gasket to seal passages of cables, even on installed ones.  
Easy sealing by means of two hose clamps.  
Combinable with **GSR, GSE, GST FIMO®** sectorial cushions.

- **PGA 4/90** for Steel Plate with collar diam. 4" and diam. 4" tube (103 ÷ 105 mm)
- **PGA 5/90** for Steel Plate with collar diam. 5" and diam. 5" tube (128 ÷ 130 mm)

### PGA 4/90 et PGA 5/90 Plaque Passe-câbles à Capuche

Garniture de fermeture de passages de câbles.  
Fermeture simple avec deux liens serre-tubes.  
Applicable également sur des câbles déjà installés. Combinable avec des garnitures sectorielles FIMO® **GSR, GSE, GST**.

- **PGA 4/90** pour plaque avec collier diam. 4" et sur tubes diam. 4" (mm 103 ÷ 105)
- **PGA 5/90** pour plaque avec collier diam. 5" et sur tubes diam. 5" (mm 128 ÷ 130)



#### MATERIAL

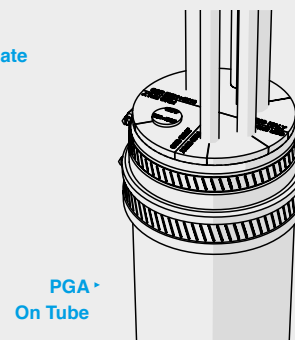
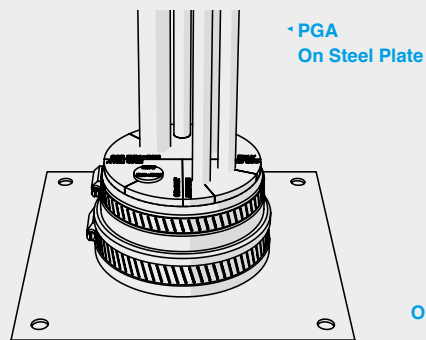
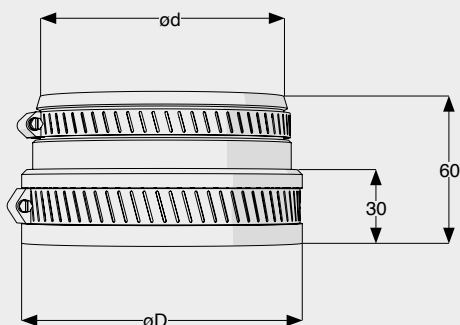
**Gasket** Black EPDM  
U.V. Resistant

**Hose Clamp** AISI 304  
Stainless Steel

#### CERTIFICATION

**Waterproof** IEC 60529 IP67

**Fire Resistance** REI 120



CODE	ARTICLE	TRACE $\varnothing d$	$\varnothing D$	LUS	BAG	BOX	WEIGHT
61 1513 0490	PGA 4/90	$\varnothing 90$	4" 103÷105	1	1	10	240
61 1513 0590	PGA 5/90	$\varnothing 90$	5" 128÷130	1	1	10	350



**GSR - GSE - GST**  
Sectorial Cushions

For  $\varnothing$  90 mm holes of **PPS** to combine different cable sizes.

**GSR - GSE - GST**  
Garnitures Sectorielles

Pour passages  $\varnothing$  90 mm du **PPS**.  
Pour combiner différentes dimensions de câbles.

**MATERIAL**

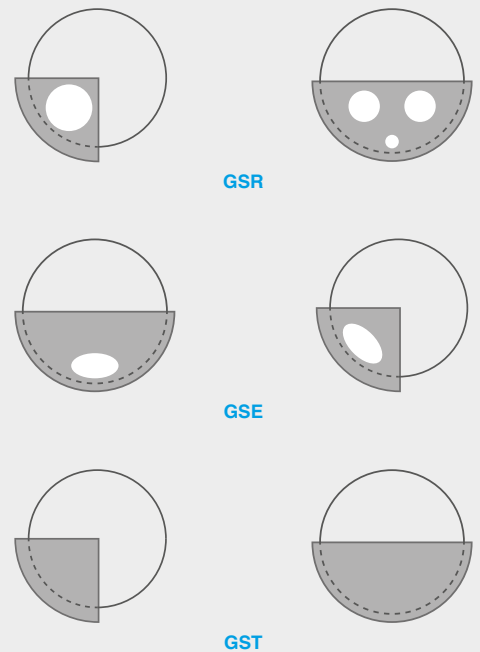
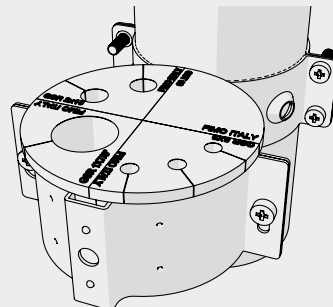
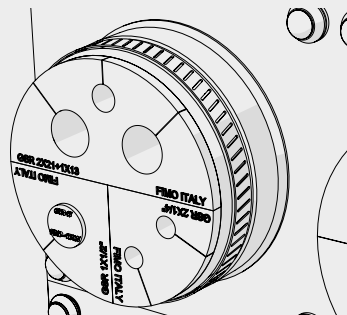
Black EPDM, U.V. Resistant

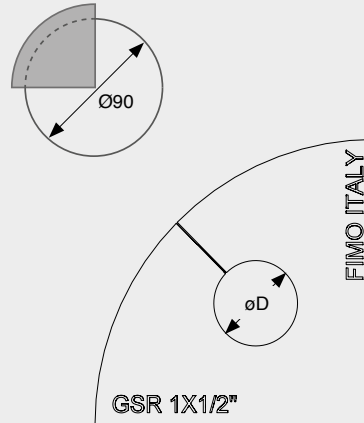
**GSR** cushions assembled in a **PPS** wall-entry, with a **GTR** blind cushions fitted in a **GSR** cushions.

Garniture **GSR** assemblés dans des plaques passe-câbles **PPS** avec bouchons **GTR** introduits dans les garnitures **GSR**.

Coaxial cables fixed on pole with **4 GSR** cushions, **GO** collar and **GOP** collar

Câbles coaxiaux fixés sur poteau à l'aide de garnitures **GSR**, collier **GO** et collier **GOP**.





### GSR - Round Sectorial Cushions

Combinable Sectorial Cushions with **round** holes, for **PPS Ø 90**

### GSR - Garnitures Sectorielles

Garnitures sectorielles à trou **round**, combinables pour traversées **PPS Ø 90**.

#### MATERIAL

Black EPDM, U.V. Resistant

FIGURE	CODE	ARTICLE	FOR CABLES	ø D	HOLES	BAG	BOX	WEIGHT
	61 0490 1009	GSR 1x9	8÷10	8÷10	1	10	50	88
	61 0490 1014	GSR 1x1/4"-(11)	1/4"	10÷12	1	10	50	86
	61 0490 1013	GSR 1x13	12÷14	12÷14	1	10	50	80
	61 0490 1012	GSR 1x1/2"-(17)	1/2"-3/8"	16÷18	1	10	50	76
	61 0490 1019	GSR 1x19	18÷20	18÷20	1	10	50	74
	61 0490 1025	GSR 1x25	24÷26	24÷26	1	10	50	70
	61 0490 1078	GSR 1x7/8"-(28)	7/8"	27÷29	1	10	50	54
	61 0490 2009	GSR 2x9	8÷10	8÷10	2	10	50	80
	61 0490 2014	GSR 2x1/4"-(11)	1/4"	10÷12	2	10	50	78
	61 0490 2013	GSR 2x13	12÷14	12÷14	2	10	50	72
	61 0490 2012	GSR 2x1/2"-(17)	1/2"-3/8"	16÷18	2	10	50	66
	61 0490 3006	GSR 3x6	RG223	5-7	3	10	50	80
	61 0490 3008	GSR 3x8	RG223	7-9	3	10	50	82
	61 0490 3014	GSR 3x1/4"-(11)	1/4"	10÷12	3	10	50	85
	61 0290 7814	GSR 2x7/8" +1x1/4"	7/8"+1/4"	2x27÷29 1x10÷12	2+1	10	50	160
	61 0290 7812	GSR 2x7/8" +1x1/2"	7/8"+1/2"	2x27÷29 1x16÷18	2+1	10	50	160
	61 0290 7813	GSR 2x7/8" +1x14	7/8"+14	2x27÷29 1x13÷15	2+1	10	50	60
	61 0290 7818	GSR 2x7/8" +1x18	7/8"+18	2x27÷29 1x16÷18	2+1	10	50	160
	61 0290 2113	GSR 2x21+1x13	20÷22+12÷14	2x20÷22 1x12÷14	2+1	10	50	160
	61 0290 5009	GSR 5x9	8÷10	8÷10	5	10	50	160

### GSE - Elliptical Sectorial Cushions

Combinable Sectorial Cushions with **elliptical** holes, for **PPS Ø 90**

### GSE - Garnitures Sectorielles

Garnitures sectorielles à trou **elliptique**, combinables pour traversées **PPS Ø 90**.

MATERIAL	Black EPDM, U.V. Resistant
----------	----------------------------

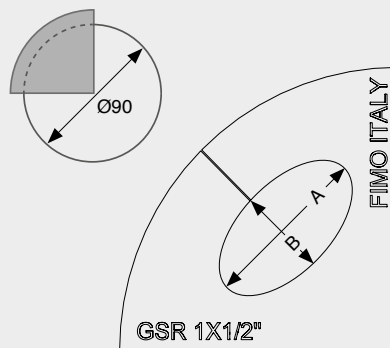
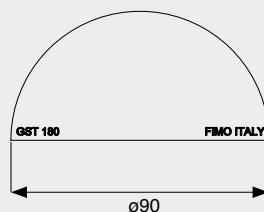
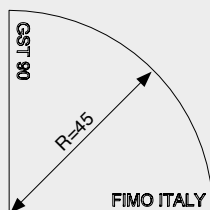


FIGURE	CODE	ARTICLE	ELLIPTICAL WAVE GUIDES	AxB	HOLES	BAG	BOX	WEIGHT
	61 0490 1150	GSE 150	E 150, EW 150	28x17	1	10	50	70
	61 0490 1190	GSE 190	E 185, EW 180	20x12	1	10	50	74
	61 0490 1220	GSE 220	E 220, EW 150	18x12	1	10	50	76
	61 0290 1078	GSE 78	E 78	45x28	1	10	50	160



### GST - Blind Sectorial Cushions

Blind **Sectorial** Cushions for the sealing of **PPS** empty holes.

### GST - Garnitures Bouchon Sectorielles

Garnitures bouchon sectoriels pour fermer les passages inutilisés des traversées **PPS**.

#### MATERIAL

Black EPDM, U.V. Resistant

FIGURE	CODE	ARTICLE	FOR HOLES	BAG	BOX	WEIGHT
	61 0490 1090	GST 90	Ø 90	10	50	78
	61 0490 1180	GST 180	Ø 90	10	50	150

## Round Reduction Cushions

### GRR - Round Reduction Cushions

Cylindrical Body to reduce the through-holes of **GPR** rectangular Cushions and other round cushions.

### GRR - Garnitures Rondes de Réduction

Corps cylindrique pour réduire le trou passant des garnitures **GPR**.

#### MATERIAL

Black EPDM, U.V. Resistant

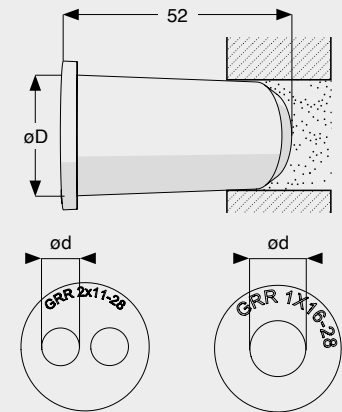


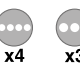

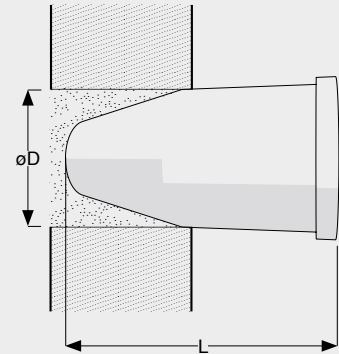


FIGURE	CODE	ARTICLE	ø D	ø d	HOLES	BAG	BOX	WEIGHT	
	<b>ø D = 16</b>								
	61 0828 1606	GRR 1x 6-16	15÷16	5÷7	1	10	50	11	
	61 0828 1116	GRR 1x 8-11-16		8÷11	1	10	50	11	
	61 0828 1611	GRR 1x 11-16		10÷12	1	10	50	10	
	61 0828 1613	GRR 1x 13-16		12÷14	1	10	50	9	
	<b>ø D = 28</b>								
	61 0828 1016	GRR 1x 16-28	26÷28	15÷17	1	10	50	40	
	61 0828 1020	GRR 1x 20-28		19÷21	1	10	50	38	
	61 0828 1022	GRR 1x 22-28		22÷23	1	10	50	37	
	<b>ø D = 40</b>								
	61 0840 1028	GRR 1x 28-40	38÷40	27÷29	1	10	50	30	
	<b>ø D = 50</b>								
	61 0850 1040	GRR 1x 40-50	48÷50	39÷41	1	10	50	26	
	<b>ø D = 62</b>								
	61 0862 1014	GRR 1x 1/4" - 62	60÷62	10÷11	1	10	50	100	
	61 0862 1012	GRR 1x 1/2" - 62		16÷17	1	10	50	108	
	61 0862 1078	GRR 1x 7/8" - 62		27÷28	1	10	50	142	
	61 0862 1114	GRR 1x 1.1/4" - 62		39÷40	1	10	50	100	
	61 0862 1158	GRR 1x 1.5/8" - 62		50÷52	1	10	50	54	
	<b>ø D = 90</b>								
	61 0890 1118	GRR 1x 1.1/8" - 90	88÷90	36÷38	1	10	50	275	
	61 0890 1114	GRR 1x 1.1/4" - 90		39÷40	1	10	50	265	
	61 0890 1158	GRR 1x 1.5/8" - 90		50÷52	1	10	50	248	
	61 0890 1214	GRR 1x 2.1/4" - 90		59÷60	1	10	50	240	
	61 0890 1062	GRR 1x 62 - 90		60÷62	1	10	50	238	
61 0890 1300	GRR 1x 3" - 90	75÷77		1	10	50	210		
<b>ø D = 185</b>									
61 0185 0114	GRR 1x 114 - 185	183÷185	114	1	10	50	1090		
61 0185 0130	GRR 1x 130 - 185		132	1	10	50	990		
61 0185 0146	GRR 1x 146 - 185		146	1	10	50	778		
61 0185 0169	GRR 1x 169 - 185		169	1	10	50	365		
	<b>ø D = 28</b>								
	61 0828 2007	GRR 2x 7-28	26÷28	7-8	2	10	50	37	
	61 0828 2008	GRR 2x 8-28		8-9	2	10	50	37	
	61 0828 2011	GRR 2x 11-28		10÷12	2	10	50	35	
	<b>ø D = 62</b>								
	61 0862 2014	GRR 2x 1/4" - 62	60÷62	10÷11	2	10	50	124	
61 0862 2012	GRR 2x 1/2" - 62	16÷17		2	10	50	124		
61 0862 2078	GRR 2x 7/8" - 62	27÷28		2	10	50	102		
	<b>ø D = 62</b>								
	61 0862 3012	GRR 3x 1/2" - 62	60÷62	16÷17	3	10	50	128	
61 0862 4014	GRR 4x 1/4" - 62	10÷11		4	10	50	142		
	<b>ø D = 40</b>								
61 0890 4078	GRR 4x 7/8" - 90	88÷90	27÷28	4	10	50	218		

# GTR

## Round Blind Cushions



### MATERIAL

Black EPDM, U.V. Resistant

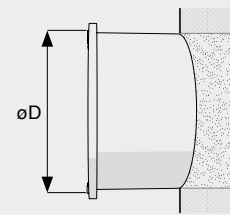
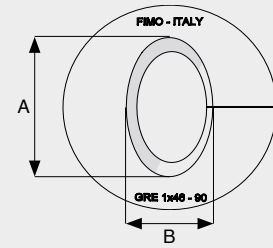
### GTR - Round Blind Cushions

Cylindrical Body to close the empty through-holes of **GPR** rectangular cushions and other round cushions.

### GTR - Garnitures Bouchon Ronds

Corps cylindrique pour boucher les trous passants inutilisés par les garnitures rectangulaires **GPR**.

FIGURE	CODE	ARTICLE	ø D	L	BAG	BOX	WEIGHT
	61 1000 1006	GTR 6	5÷6	32	10	50	2
	61 1000 1008	GTR 8	7÷8	32	10	50	3
	61 1000 1011	GTR 11	10÷11	32	10	50	4
	61 1000 1013	GTR 13	12÷13	32	10	50	6
	61 1000 1017	GTR 17	16÷17	32	10	50	7
	61 1000 1019	GTR 19	18÷19	32	10	50	9
	61 1000 1022	GTR 22	21÷22	32	10	50	13
	61 1000 1028	GTR 28	27÷28	37	10	50	18
	61 1000 1040	GTR 40	39÷40	37	10	50	39
	61 1000 1050	GTR 50	49÷50	37	10	50	70
	61 1000 1062	GTR 62	61÷62	37	10	50	86



### GRE - Elliptical Round Cushions

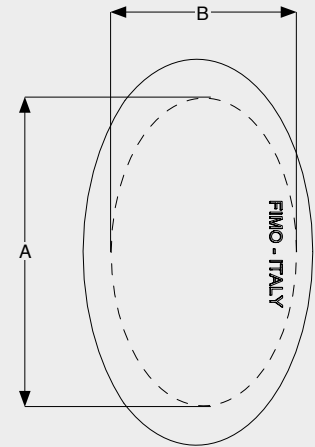
With elliptical holes for waveguides.  
Suitable to different FIMO wall entries.

### GRE - Garnitures Elliptiques

Profilé intérieur elliptique pour guides d'ondes. À utiliser avec traversée de paroi FIMO.

MATERIAL	
Cushions	Black EPDM, U.V. Resistant

FIGURE	CODE	ARTICLE	ø D	HOLE	AXB	WAVE GUIDES	BAG	BOX	WEIGHT	
	<b>ø D = 28</b>									
	61 1028 1150	GRE 1x 150 - 28	26÷28	1	28x17	E 150, EW 127, EW 127A	10	50	40	
	61 1028 1190	GRE 1x 190 - 28	26÷28	1	20x12	E 190, E 185	10	50	40	
	61 1028 1220	GRE 1x 220 - 28	26÷28	1	18x12	E 220	10	50	40	
	61 1028 1250	GRE 1x 250 - 28	26÷28	1	16x11	E 250, EW 240	10	50	50	
	61 1028 1300	GRE 1x 300 - 28	26÷28	1	14x10	E 300	10	50	60	
	61 1028 1380	GRE 1x 380 - 28	26÷28	1	12x9	E 380	10	50	60	
	<b>ø D = 40</b>									
	61 0800 1040	GRE 1x 100 - 40	38÷40	1	34x24	E 100	10	50	44	
	<b>ø D = 62</b>									
	61 1062 1048	GRE 1x 48 - 62	60÷62	1	57x43	E 48	10	50	62	
	61 1062 1052	GRE 1x 52 - 62	60÷62	1	57x33	EW 52	10	50	94t	
	61 1062 1060	GRE 1x 60 - 62	60÷62	1	56x33	E 60	10	50	88	
	61 1062 1063	GRE 1x 63/65 - 62	60÷62	1	51x29	EW 63, E 65	10	50	102	
	61 1062 1064	GRE 1x 64 - 62	60÷62	1	48x28	EW 64	10	50	108	
	61 1062 1070	GRE 1x 70 - 62	60÷62	1	48x28	E 70	10	50	108	
	61 1062 1077	GRE 1x 77/78 - 62	60÷62	1	43x25	E 78, EW 77	10	50	116	
	61 1062 1105	GRE 1x105 - 62	60÷62	1	33x20	E 105, EW 85, EW90	10	50	138	
	61 1062 1130	GRE 1x130 - 62	60÷62	1	29x18	E 130	10	50	146	
	61 1062 1150	GRE 1x150 - 62	60÷62	1	28x17	E 150, EW 127, EW 127A	10	50	138	
	61 1062 1190	GRE 1x190 - 62	60÷62	1	21x13	E 190, E 185	10	50	120	
<b>ø D = 90</b>										
61 1090 1037	GRE 1x 37/46 - 90	88÷90	1	72x46	EW 37, E46	10	20	254		
61 1090 1038	GRE 1x 38 - 90	88÷90	1	84x48	E 38	10	20	214		
<b>ø D = 100</b>										
61 1100 1038	GRE 1x 38 - 100	98÷100	1	84x51	E 38	10	20	244		



### GTE - Elliptical Blind Cushions

Elliptical blind Cushions for capping unused **elliptical** holes.

### GTE - Garnitures Bouchon Elliptiques

Garnitures bouchon **elliptiques** pour fermer les passages elliptiques inutilisés.

### MATERIAL

Black EPDM, U.V. Resistant

FIGURE	CODE	ARTICLE	AXB	BAG	BOX	WEIGHT
	61 1001 1220	GTE 220	18 x 12	10	50	12
	61 1001 1678	GTE 78	45 x 28	10	50	45



# Cushions for Cable Clamps & Collars

Cushions for Cable Clamps and Collars  
FIMO cushions are suitable for reducing  
hole diameter of saddles, collars and cable  
clamps to allow the fixing of a wider range  
of cables.

*Joints pour serre-câbles et colliers. Les  
joints FIMO sont appropriés pour réduire  
le diamètre des selles, colliers et ser-  
res-câbles, pour permettre la fixation d'une  
plus large gamme de câbles*



### GRR - Round Cushions for Cable Clamps

For FIMO cable clamps and round collars.

### GRR - Garnitures Rondes de Réduction

Avec trou de passage rond. À utiliser avec plusieurs traversées de paroi FIMO et sur différents serre-câbles.

#### MATERIAL

Black EPDM, U.V. Resistant

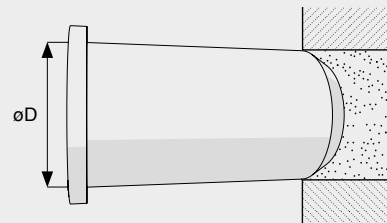


FIGURE	CODE	ARTICLE	ø D	HOLES	ø d	BAG	BOX	WEIGHT (gr)
<b>ø D = 16</b>								
	61 0828 1606	GRR 1x 6-16	15÷16	1	5÷7	10	50	11
	61 0828 1116	GRR 1x 8/11-16	15÷16	1	8÷11	10	50	11
	61 0828 1611	GRR 1x 11-16	15÷16	1	10÷12	10	50	10
	61 0828 1613	GRR 1x 13-16	15÷16	1	12÷14	10	50	9
<b>ø D = 28</b>								
	61 0828 1016	GRR 1x 16-28	26÷28	1	15÷17	10	50	40
	61 0828 1020	GRR 1x 20-28	26÷28	1	19÷21	10	50	38
	61 0828 1022	GRR 1x 22-28	26÷28	1	22÷23	10	50	37
<b>ø D = 40</b>								
	61 0838 1014	GRR 1x 1/4" - 40	38÷40	1	10÷11	10	50	61
	61 0838 1012	GRR 1x 1/2" - 40	38÷40	1	16÷17	10	50	52
	61 0838 1078	GRR 1x 28 - 40	38÷40	1	27÷28	10	50	30
<b>ø D = 50</b>								
	61 0850 1040	GRR 1x40 -50	48÷50	1	39÷40	10	50	40
<b>ø D = 62</b>								
	61 0862 1014	GRR 1x 1/4" - 62	60÷62	1	10÷11	10	50	100
	61 0862 1012	GRR 1x 1/2" - 62	60÷62	1	16÷17	10	50	108
	61 0862 1078	GRR 1x 7/8" - 62	60÷62	1	27÷28	10	50	142
	61 0862 1114	GRR 1x 1.1/4" - 62	60÷62	1	39÷40	10	50	100
	61 0862 1158	GRR 1x 1.5/8" - 62	60÷62	1	50÷52	10	50	54
<b>ø D = 90</b>								
	61 0890 1118	GRR 1x 1.1/8" - 90	88÷90	1	36÷38	10	50	275
	61 0890 1114	GRR 1x 1.1/4" - 90	88÷90	1	39÷40	10	50	265
	61 0890 1158	GRR 1x 1.5/8" - 90	88÷90	1	50÷52	10	50	248
	61 0890 1214	GRR 1x 2.1/4" - 90	88÷90	1	59÷60	10	50	240
	61 0890 1062	GRR 1x 62 - 90	88÷90	1	60÷62	10	50	238
	61 0890 1300	GRR 1x 3" - 90	88÷90	1	75÷77	10	50	210
<b>ø D = 100</b>								
	61 0899 1062	GRR 1x 62 - 100	98÷100	1	62	10	50	324
<b>ø D = 185</b>								
	61 0185 0114	GRR 1x 114 - 185	183÷185	1	114	10	50	-
	61 0185 0130	GRR 1x 130 - 185	183÷185	1	132	10	50	-
	61 0185 0146	GRR 1x 146 - 185	183÷185	1	146	10	50	-
	61 0185 0169	GRR 1x 169 - 185	183÷185	1	169	10	50	-



# GRR

## Round Cushions for Cable Clamps



### GRR

#### Round Multiple Cushions for Cable Clamps

For FIMO cable clamps and round collars.

#### GRR - Garnitures Multi-trous

Utilisables sur traversées de paroi FIMO et sur différents serre-câbles et colliers.

#### MATERIAL

Black EPDM, U.V. Resistant

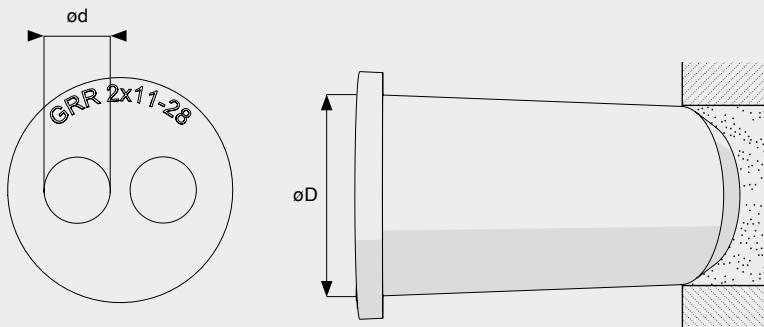








FIGURE	CODE	ARTICLE	ø D	HOLES	ø d	BAG	BOX	WEIGHT (gr)	
 x 2	61 0828 2007	GRR 2x 7-28	26÷28	2	7÷8	10	50	37	
	61 0828 2008	GRR 2x 8-28	26÷28	2	8÷9	10	50	37	
	61 0828 2011	GRR 2x 11-28	26÷28	2	10÷12	10	50	35	
	<b>ø D = 28</b>								
	<b>ø D = 40</b>								
	61 0838 2014	GRR 2x 1/4"-40	38÷40	2	10÷11	10	50	38	
	<b>ø D = 62</b>								
	61 0862 2014	GRR 2x 1/4" - 62	60÷62	2	10÷11	10	50	124	
61 0862 2012	GRR 2x 1/2" - 62	60÷62	2	16÷17	10	50	124		
61 0862 2078	GRR 2x 7/8" - 62	60÷62	2	27÷28	10	50	102		
 x3  x3  x4	61 0862 3012	GRR 3x 1/2" - 62	60÷62	3	16÷17	10	50	128	
	61 0862 3078	GRR 3x 7/8" - 62	60÷62	3	27÷28	10	50	74	
	61 0862 4014	GRR 4x 1/4" - 62	60÷62	4	10÷11	10	50	142	
 x4	61 0850 4012	GRR 4x 1/2" - 50	48÷50	4	16÷17	10	50	65	
	<b>ø D = 90</b>								
	61 0890 4078	GRR 4x 7/8" - 90	88÷90	4	27÷28	10	50	218	
 x8	<b>ø D = 28</b>								
	61 0828 8048	GRR 8x4.8 - 28	26÷28	8	4.8	10	100	28	

## Elliptical Cushions for Cable Clamps

### GRE Elliptical Cushions for Cable Clamps

With elliptical holes for waveguides.  
Suitable to various FIMO cable clamps and round collars

#### GRE - Garnitures Elliptiques

Avec trou de passage elliptique, pour guides d'onde.  
Utilisables sur traversées de paroi FIMO et sur divers serre-câbles.

#### MATERIAL

Black EPDM, U.V. Resistant

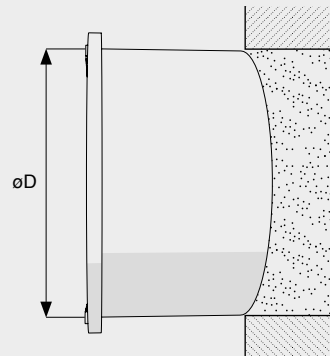
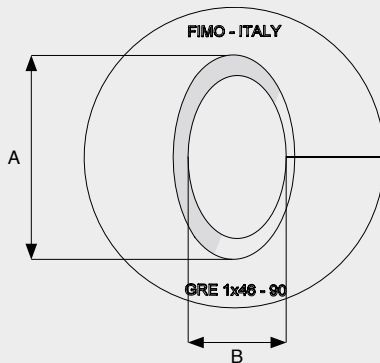


FIGURE	CODE	ARTICLE	ø D	HOLES	AXB	WAVE GUIDES	BAG	BOX	WEIGHT	
	<b>ø D = 28</b>									
		61 1028 1150	GRE 1x 150 - 28	26÷28	1	28x17	E 150, EW 127, EW 127A	10	50	40
		61 1028 1190	GRE 1x 190 - 28	26÷28	1	20x12	E 190, E 185	10	50	40
		61 1028 1220	GRE 1x 220 - 28	26÷28	1	18x12	E 220	10	50	40
		61 1028 1250	GRE 1x 250 - 28	26÷28	1	16x11	E 250, EW 240	10	50	50
		61 1028 1300	GRE 1x 300 - 28	26÷28	1	14x10	E 300	10	50	60
		61 1028 1380	GRE 1x 380 - 28	26÷28	1	12x9	E 380	10	50	60
	<b>ø D = 40</b>									
		61 0800 1040	GRE 1x 100 - 40	38÷40	1	34x24	E 100	10	50	44
		61 1038 1090	GRE 1x 90 - 40	38÷40	1	33x20	E 105, EW 90	10	50	44
		61 1038 1130	GRE 1x 130 - 40	38÷40	1	29x18	E 130	10	50	40
		61 1038 1132	GRE 1x 132 - 40	38÷40	1	24x15	EW 132	10	50	46
		61 1038 1150	GRE 1x 150 - 40	38÷40	1	28x17	E 150, EW 127, EW 127A	10	50	42
		61 1038 1180	GRE 1x 180 - 40	38÷40	1	20x12	EW 180	10	50	54
		61 1038 1190	GRE 1x 190 - 40	38÷40	1	21x13	E 190, E185	10	50	50
		61 1038 1220	GRE 1x 220 - 40	38÷40	1	18x12	E 220, EW 220	10	50	56
		61 1038 1240	GRE 1x 240 - 40	38÷40	1	16x11	E 250, EW 240	10	50	58
		61 1038 1380	GRE 1x 380 - 40	38÷40	1	12x9	E 380	10	50	60
<b>ø D = 50</b>										
	61 1050 1078	GRE 1x 77/78 - 50	48÷50	1	45x26	E 78, EW 77	10	50	128	
	61 1050 1105	GRE 1x105 - 50	48÷50	1	33x20	E 105, EW 85, EW 90	10	50	74	

## Elliptical Cushions for Cable Clamps



### GRE Elliptical Cushions for Cable Clamps

With elliptical holes for waveguides.  
Suitable to various FIMO cable clamps and round collars

### GRE - Garnitures Elliptiques

*Avec trou de passage elliptique, pour guides d'onde.  
Utilisables sur traversées de paroi FIMO et sur divers serre-câbles.*

### MATERIAL

Black EPDM, U.V. Resistant

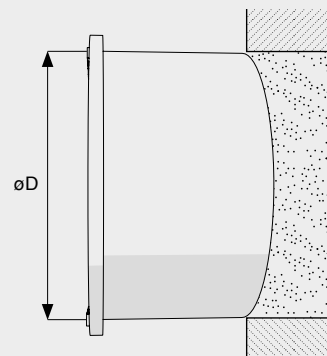
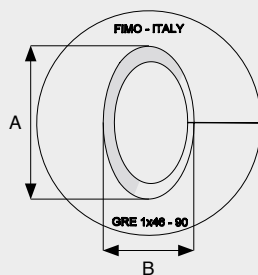


FIGURE	CODE	ARTICLE	ø D	HOLES	AXB	WAVE GUIDES	BAG	BOX	WEIGHT	
	<b>ø D = 62</b>									
		61 1062 1048	GRE 1x 48 - 62	60÷62	1	57x43	E 48	10	50	62
		61 1062 1052	GRE 1x 52 - 62	60÷62	1	57x33	EW 52	10	50	94t
		61 1062 1060	GRE 1x 60 - 62	60÷62	1	56x33	E 60	10	50	88
		61 1062 1063	GRE 1x 63/65 - 62	60÷62	1	51x29	EW 63, E 65	10	50	102
		61 1062 1064	GRE 1x 64 - 62	60÷62	1	48x28	EW 64	10	50	108
		61 1062 1070	GRE 1x 70 - 62	60÷62	1	48x28	E 70	10	50	108
		61 1062 1077	GRE 1x 77/78 - 62	60÷62	1	43x25	E 78, EW 77	10	50	116
		61 1062 1105	GRE 1x105 - 62	60÷62	1	33x20	E 105, EW 85, EW90	10	50	138
		61 1062 1130	GRE 1x130 - 62	60÷62	1	29x18	E 130	10	50	146
		61 1062 1150	GRE 1x150 - 62	60÷62	1	28x17	E 150, EW 127, EW 127A	10	50	138
		61 1062 1190	GRE 1x190 - 62	60÷62	1	21x13	E 190, E 185	10	50	120
	<b>ø D = 90</b>									
		61 1090 1037	GRE 1x 37/46 - 90	88÷90	1	72x46	EW 37, E46	10	20	254
		61 1090 1038	GRE 1x 38 - 90	88÷90	1	84x48	E 38	10	20	214
<b>ø D = 100</b>										
	61 1100 1038	GRE 1x 38 - 100	98÷100	1	84x51	E 38	10	20	244	

## Elliptical Cushions for Cable Clamps

### GRE

#### Double Elliptical Cushions for Cable Clamps

With elliptical holes for waveguides.  
Suitable to various FIMO cable clamps and round collars

#### GRE - Garnitures Elliptiques Doubles

Avec trou de passage elliptique, pour guides d'onde.  
Utilisables sur traversées de paroi FIMO et sur divers serre-câbles.



#### MATERIAL

Black EPDM, U.V. Resistant

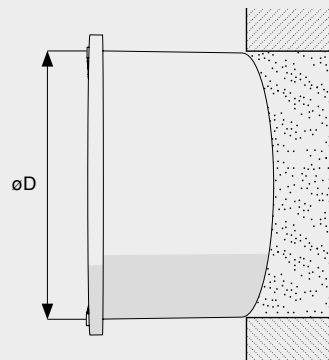
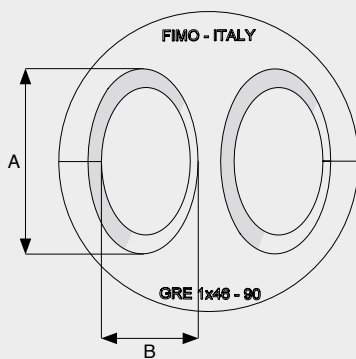


FIGURE	CODE	ARTICLE	ø D	HOLES	AXB	WAVE GUIDES	BAG	BOX	WEIGHT	
	<b>ø D = 40</b>									
	61 1038 2180	GRE 2x 180 - 40	38÷40	2	20x12	-	10	50	44	
	61 1038 2190	GRE 2x 190 - 40	38÷40	2	21x14	E 190, E185, EW 180	10	50	38	
	61 1038 2220	GRE 2x 220 - 40	38÷40	2	18x12	E 220, EW 220	10	50	43	
	61 1038 2380	GRE 2x 380 - 40	38÷40	2	12x9	E 380	10	50	48	
	<b>ø D = 50</b>									
	61 1050 2105	GRE 2x 105 - 50	48÷50	2	33x20	E 105, EW 85, EW90	10	50	80	
	61 1050 2130	GRE 2x 130 - 50	48÷50	2	29x18	E 130	10	50	64	
	61 1050 2150	GRE 2x 150 - 50	48÷50	2	28x17	E 150, EW 127, EW127A	10	50	76	



### GRQ

#### Rectangular Cushions for Cable Clamps

Rectangular internal Profile for rectangular waveguides, in combination with FIMO clamps and collars.

#### GRQ - Garnitures Carrées

Profilé interne rectangulaire pour guides d'onde rectangulaires pouvant être utilisés en combinaison aux serre-câbles et les colliers FIMO.

#### MATERIAL

Black EPDM, U.V. Resistant

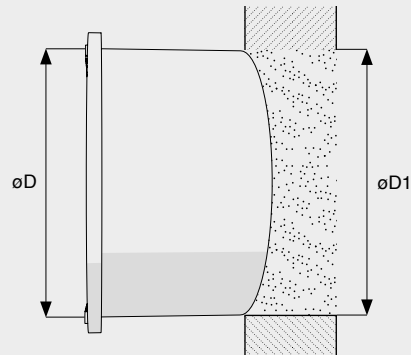
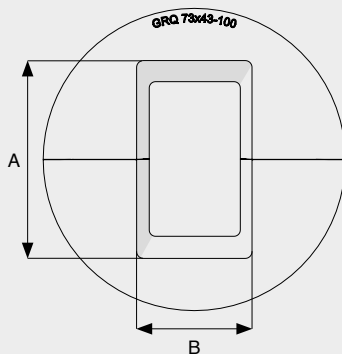


FIGURE	CODE	ARTICLE	ø D1	HOLES	AXB	BAG	BOX	WEIGHT
	<b>ø D = 40</b>							
	61 0938 1109	GRQ 11x 9-40	38÷40	1	11x9	10	50	60
	61 0938 1307	GRQ 13x 7- 40	38÷40	1	13x7	10	50	60
	61 0938 1509	GRQ 15x 9- 40	38÷40	1	15x9	10	50	58
	61 0938 1610	GRQ 16x 10-40	38÷40	1	16x10	10	50	56
	61 0938 1912	GRQ 19x 12-40	38÷40	1	19x12	10	50	52
	61 0938 2013	GRQ 20x 13-40	38÷40	1	20x13	10	50	48
	61 0938 2313	GRQ 23x 13-40	38÷40	1	23x13	10	50	48
	61 0938 2515	GRQ 25x 15-40	38÷40	1	25x15	10	50	45
	61 0938 2819	GRQ 28x 19-40	38÷40	1	28x19	10	50	45
	61 0938 3117	GRQ 31x 17-40	38÷40	1	31x17	10	50	34
	61 0938 3216	GRQ 32x 16-40	38÷40	1	32x16	10	50	42
	<b>ø D = 50</b>							
	61 0950 3819	GRQ 38x 19-50	48÷50	1	38x19	10	50	72
	<b>ø D = 62</b>							
	61 0962 4525	GRQ 45x 25-62	60÷62	1	45x25	10	50	110
	61 0962 5127	GRQ 51x 27-62	60÷62	1	51x27	10	50	85
	<b>ø D = 90</b>							
	61 0990 5232	GRQ 52x 32-90	88÷90	1	52x32	10	50	253
	61 0990 5736	GRQ 57x 36-90	88÷90	1	57x36	10	50	271
61 0990 6233	GRQ 62x 33-90	88÷90	1	62x33	10	50	296	
61 0990 7638	GRQ 76x 38-90	88÷90	1	76x38	10	50	290	
<b>ø D = 100</b>								
61 0100 7843	GRQ 78x 43-100	98÷100	1	78x43	10	50	213	



# Accessories for Installation

Product Catalogue





# Accessories for Installation

Accessories for Installation. FIMO accessories for installation are the completion of the range of products offered for fastening, grounding and sealing cables and pipes.

*Accessoires pour l'installation. Les accessoires pour l'installation FIMO sont le complément de la gamme de produits offerts pour la fixation, la mise à la terre et le d'étanchéité de câbles ou de tubes.*

## 3-Sided Punched Cut Down Size Section

### PCI B - Punched Cut Down Size Sections

Stainless steel section 40x22x1,5  
Holes 8,5x11 on base and sides.

### PCI B - Supports de Profilé Perforé

Profilé 40x22x1,5  
Fentes 8,5x11 sur la base et sur les côtés.



#### MATERIAL

AISI 304 Stainless Steel

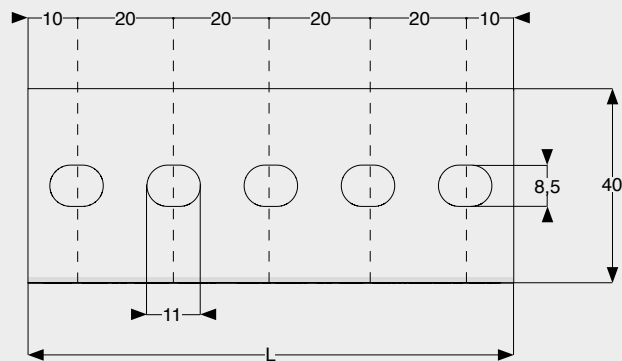
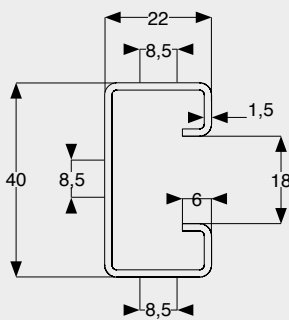


FIGURE	CODE	ARTICLE	L	DESCRIPTION	BOX	WEIGHT
	61 4022 5100	PCI 100 B	100	5 holes 8.5x11	20	94
	61 4022 5140	PCI 140 B	140	7 holes 8.5x11	20	138
	61 4022 5180	PCI 180 B	180	9 holes 8.5x11	20	169
	61 4022 5220	PCI 220 B	220	11 holes 8.5x11	20	215
	61 4022 5300	PCI 300 B	300	15 holes 8.5x11	20	292
	61 4022 5400	PCI 400 B	400	20 holes 8.5x11	20	394
	61 4022 5500	PCI 500 B	500	25 holes 8.5x11	20	522
	61 4022 5600	PCI 600 B	600	30 holes 8.5x11	20	612
	61 4022 5015	PCI 1500 B	1500	75 holes 8.5x11	-	1600
	61 4022 3002	PCI 3000 B	3000	150 holes 8.5x11	-	3200

# MEM · MEF

## Accessories for Section PCI

ACCESSORIES FOR INSTALLATION  
PRODUCT CATALOGUE



### MEM / MEF - M8 Brackets

AISI 304 stainless steel brackets for the assembling of ladders and combinable with FIMO fastening devices.

### MEM / MEF - Supports M8

Étagères en acier INOX AISI 304 pour la formation d'échelles et combinables avec les éléments de fixation FIMO.



### MATERIAL

AISI 304 Stainless Steel

FIGURE	CODE	ARTICLE	DESCRIPTION	MEASURES	BOX	WEIGHT
	61 1805 1615	MEM 16/150	Brackets with M8 screws	ø 16x150	20	102
	61 1805 1620	MEM 16/200		ø 16x200	20	130
	61 1805 1630	MEM 16/300		ø 16x300	20	179
	61 1805 1640	MEM 16/400		ø 16x400	20	230
	61 1809 1615	MEF 16/150	Brackets with M8 pin	ø 16x150	20	102
	61 1809 1620	MEF 16/200		ø 16x200	20	130
	61 1809 1630	MEF 16/300		ø 16x300	20	179
	61 1809 1640	MEF 16/400		ø 16x400	20	230

# ISL 8 · ISI 8

## Sliding Inserts

### ISL 8 - Sliding Insert Self-Locking, with M8 Nut

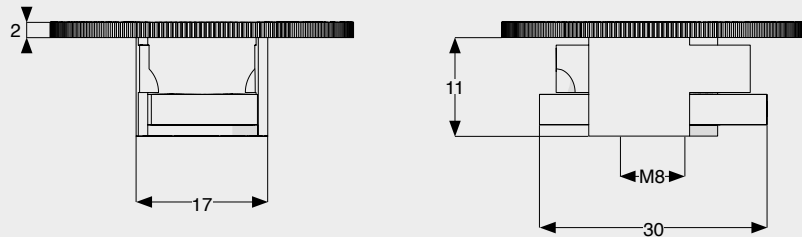
For quick mounting of M8 screws on  
PCI sections 40x22.

### ISL 8 - Insert Coulissant Autobloquant, avec Filet Femelle M

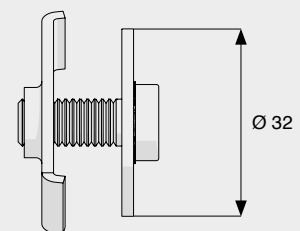
À insertion rapide, pouvant être employé  
pour le montage de filets M8 sur **profilés PCI 40x22**.



MATERIAL	
M8 Nut	AISI 304 Stainless Steel
Body	P.A.



CODE	ARTICLE	DESCRIPTION	BAG	BOX	WEIGHT
61 4001 0008	ISL 8	Nylon/Steel Sliding Insert with M8 nut for PCI 40x22 profiles	20	100	9



### ISI 8 - Sliding Insert M8 threaded, with Screw and Washer

For quick mounting of objects on  
PCI sections 40x22.

### ISI 8 - Insert Coulissant Filet M8, avec vis et rondelle

À insertion rapide, pouvant être employé  
pour le montage d'objets sur **profilés PCI 40x22**.

MATERIAL
AISI 304 Stainless Steel

CODE	ARTICLE	DESCRIPTION	BAG	BOX	WEIGHT
61 3209 0018	ISI 8	M8 Sliding insert for PCI 40x22 profiles	20	100	32

## Self-agglomerating Tapes

### NEP - Self-Agglomerating Tape For Tightening and Insulating

**Description:**

Self-agglomerating Ethylenepropylen (EPR) Rubber, non adhesive, Highly elastic (1000%), not hardening. Waterproof. insulating (35 kV/mm), U.V. resistant. Temperature range -40°/ +70°C. Packed in rolls with protective film.

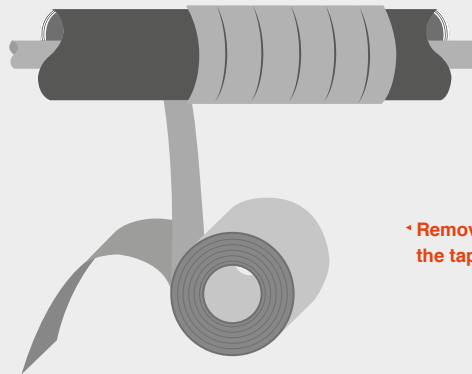
### NEP - Ruban Auto-agglomérant Pour d'Étanchéité et isolement

**Caractéristiques:**

Caoutchouc éthylène-propylène (EPR) auto-agglom, non-adhésif. Grande élasticité (1000%), non-durcissant. Imperméable, isolant (35 kV/mm), résistant aux rayons U.V. Température de fonctionnement -40°/+ 70°C. Package en rouleaux avec pellicule de protection.

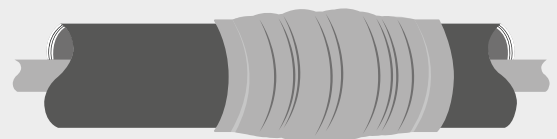


MATERIAL
EPR



\* Remove protective film and wrap the tape, pulling it strongly.

\* The operation is completed. Bandage is waterproof.



CODE	ARTICLE	MEASURE	LENGHT	BAG	BOX	WEIGHT
61 2100 1975	NEP 19	19x0.75	10 m	1	10	170
61 2100 3875	NEP 38	38x0.75	10 m	1	10	340



### TECHNICAL FEATURES

<b>Temperature Resistance</b>	-50° + 150°
<b>UV Resistance</b>	U.V. Resistant
<b>Hardness</b>	60/65 Shore A (ASTM D 2240)
<b>Tensile Strength</b>	45 Kg/cm <sup>2</sup> (ASTM D 412)
<b>Elongation</b>	350% (ASTM D 412)
<b>Brittleness Point</b>	-50°C (ASTM D 2137)
<b>Dielectric Strength</b>	2700V/0.1mm (ASTM D 149)

### NAS

Self-agglomerating Silicone Tape Protecting, Insulating and Waterproof

1. Self agglomerating silicone tape.
2. Removable PET protection film.
3. Mid line wrapping reference.

The self-agglomerating NAS silicone rubber tape, is ideal to insulate, seal and protect various objects (not only metal ones). It can be used under extreme temperature conditions, (-50°C,+150°C). NAS tape is non adhesive, and may be used on both sides. Tightly wrapped around the object, it doesn't unwind, thanks to its outstanding elasticity.

The single tape layers merge progressively within 24hours.

An immediate excellent waterproofing, as well as mechanical protection and electrical insulation is however guaranteed.

NAS is not subject to aging, is UV rays proof and does not harden.

NAS stands up to 350% elongation, assuring high performances even on complex shape objects. The mean line represents a useful reference to make a correct tape wrapping superimposition easier.

Remove the protective film just on the application time, avoiding moisture, dirt, dust and grease contamination. NAS tape is to be kept in its protective plastic bag.

### NAS

Ruban Auto-agglomérant en Silicone pour Isolement, Protection et d'Étanchéité

1. Ruban auto-agglomérant en silicone.
2. Pellicule de protection amovible en PET.
3. Ligne guide pour l'enroulement correct.

Le ruban auto-agglomérant en caoutchouc de silicone NAS, est idéal pour l'isolement, le d'étanchéité, la protection, d'objets métalliques

et non. Il est applicable en conditions de grande excursion thermique (-50°C +150°C).

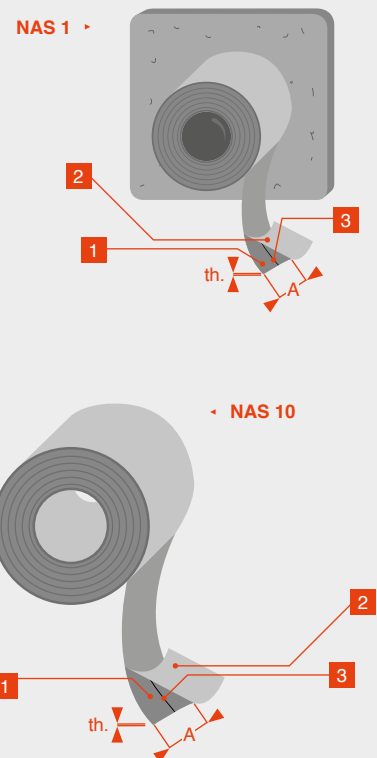
Le ruban est dépourvu d'adhésif. Il peut être utilisé indifféremment des deux côtés.

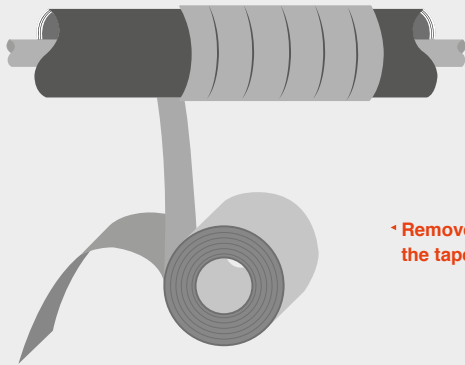
Enroulé autour de l'objet, en tirant fortement, il se maintient en position grâce à sa remarquable élasticité. Les couches individuelles fondent progressivement en transformant, au fil du temps, l'enroulement en un bloc unique et compact. Déjà après environ 24 heures, les couches ont bien fondues entre-elles, assurant aussitôt une excellente imperméabilisation, protection mécanique et isolement électrique. NAS ne durcit pas et résiste parfaitement au vieillissement et aux rayons UV. Le ruban s'étire jusqu'à 350%, en garantissant un rendement élevé, même sur des objets de forme complexe.

La ligne médiane représente une référence utile pour la bonne superposition des morceaux durant le guipage.

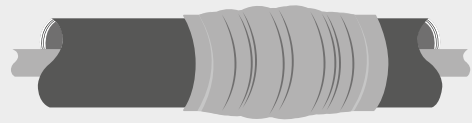
On ne retire la pellicule de protection qu'au moment de l'application, en évitant de travailler en présence d'eau, de graisse, de poussière et de saleté.

Le ruban NAS doit être conservé dans son sachet plastique de protection.





Remove protective film and wrap the tape, pulling it strongly.



The operation is completed. Bandage is waterproof.

CODE	ARTICLE	A	th.	OVERALL LENGGHT	BAG	BOX	WEIGHT
61 2101 2501	NAS 1	25	0.5	2 x 0.5 m =1 m	1+1	10	25
61 2101 2510	NAS 10	25	0.5	10 m	1	10	180

NAS 10 -



## Connectors Weatherproofing Kit



### WPK - Connectors Weatherproofing Kit For Feeder Cables and Jumpers

FIMO WPK weatherproofing kit provides a reliable sealing of cable connections exposed to the outside environment.

FIMO WPK weatherproofing kit contains:

- 2 rolls of 19 mm x 20 m black PVC tape
- 1 roll of 50 mm x 8 m black PVC tape
- 3 or 6 rolls of 50 mm x 600 mm butyl-rubber tape

This kit provides an efficient moisture block and connector's protection against pollution and dust. It also prevents disconnection of connectors caused by vibrations during wind exposition.

The kit protects cable's outer jacket and connectors that are directly buried or exposed to severe environmental conditions.

FIMO WPK weatherproofing kit is recommended in applications:

- Jumper to Antenna
- Jumper to Feeder Cable

#### FEATURES & BENEFITS

- Simple installation
- No heat or tools required for installation
- Compatible with any connector and cable
- High protection against moisture and dirt
- No loosening of connections

### WPK - Kit d'Étanchéité pour Connecteurs Pour Câbles coaxiaux et Jumpers

Les kits de d'étanchéité WPK garantissent une tenue étanche des connecteurs exposés aux agents atmosphériques.

Les kits de d'étanchéité WPK FIMO contiennent:

- 2 rouleaux de 19 mm x 25 m de ruban PVC noir
- 1 rouleau de 50 mm x 8 m de ruban PVC noir
- 3 ou 6 rouleaux de 50 mm x 600 mm de ruban de butyle

Le kit garantit une résistance à l'humidité adéquate et protège les connecteurs contre la pollution et la poussière. Le kit empêche également la déconnexion des connecteurs causée par les vibrations pendant l'exposition au vent.

Le kit protège la gaine externe du câble et les connecteurs directement enterrés ou exposés à de sévères conditions environnementales.

FIMO recommande d'utiliser le kit d'étanchéité WPK dans les connexions:

- de Jumper à Antenne
- de Jumper à Câble Coaxial

#### SPÉCIFICATIONS ET BÉNÉFICES

- Installation simple
- Ni outils ni réchauffement au moyen de flamme ne sont requis pour l'installation
- Compatible avec n'importe quel connecteur et câble
- Haute protection contre l'humidité et la saleté
- Absence de déconnexion du connecteur

PICTURE	CODE	ARTICLE	DESCRIPTION	BOX	WEIGHT (g)
	61 1503 0612	WPK 6	n° 6 butyl rolls, 0,05 x 0,6 m n° 2 PVC black rolls, 0,019 x 25 m n° 1 PVC black roll, 0,048 x 8 m	1	740
	61 1503 0312	WPK 3	n° 3 butyl rolls, 0,05 x 0,6 m n° 2 PVC black rolls, 0,019 x 25 m n° 1 PVC black roll, 0,048 x 8 m	1	485
	61 1503 1050	BUT 50	n° 1 butyl roll, 0,05 x 0,6 m	1	76
	61 4801 0002	PVC 19	n° 1 PVC black roll, 0,019 x 25 m	1	68
	61 4801 0003	PVC 19 HP	n° 1 PVC high performance black roll, 0,019 x 20 m	1	55
	61 1503 1148	PVC 48	n° 1 PVC black roll, 0,048 x 8 m	1	69z

# BUT

## Butyl Putty



### MATERIAL

But	Butyl Putty
Colour	Black

#### BUT 6 - Butyl Putty

Butyl pulp  $\varnothing$  6 mm. 8 m roll. To seal contacting surfaces Not hardening, adhesive.

**Description:**

**Operating temperature :** -30/+90°C

**UV resistance :** very good

**Water resistance:** very good

#### BUT 6 - Colle Butylique

*Pâte tréfilée  $\varnothing$  6 mm. Rouleau de 8 m. À utiliser pour sceller les surfaces en contact. Ne durcit pas, adhésif.*

**Caractéristiques:**

**Température de fonctionnement:** -30/+90°C

**Résistance aux UV:** parfaite

**Résistance à l'eau:** parfaite

CODE	ARTICLE	DESCRIPTION	LENGHT	BAG	BOX	WEIGHT
61 3402 0056	BUT 6	Butyl putty $\varnothing$ 6 mm for sealing	8 m	1	10	260



### MATERIAL

<b>Housing material</b>	PC/PP Alloy
<b>Sealing material</b>	High Quality Silicon Gel
<b>Plastic Parts</b>	UV Resistant
<b>Waterproof</b>	IP68
<b>Colour</b>	Black

### WPE- Waterproofing Enclosure For Coaxial Cable Applications

The WPE is a gel closure sealing system that provides a reliable sealing of coaxial connectors used at the transition between:

- JUMPER and ANTENNA
- JUMPER and FEEDER CABLE exposed to the outside environment.

The housing contains an innovative gel material and provides an efficient moisture block. The ease of installation and long-term protection makes it reliable and cost effective solution.

### FEATURES & BENEFITS

- Quick and Easy installation
- No need special training
- Easy removable and reusable
- Wraparound and no disconnection of the connector
- No tape, no mastics or tools required for installation and removal

**Operating temperature range:** -40 C° / + 65 C°  
**Storage temperature range:** -40 C° / + 65 C°

### WPE- Système d'Étanchéité pour Connecteurs Pour Applications avec Câbles Coaxiaux

Le WPE sont des systèmes d'étanchéité avec gel qui garantissent l'étanchéité des connecteurs utilisés dans les connexions entre:

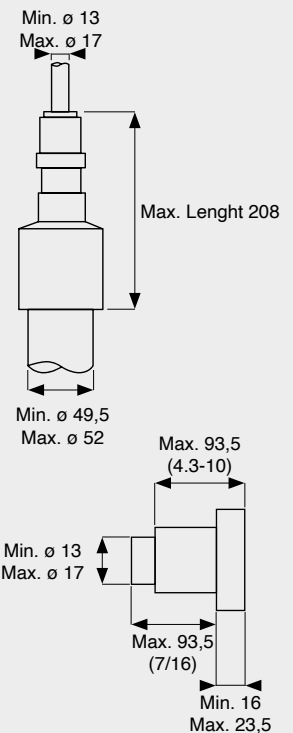
- JUMPER et ANTENNE
- JUMPER et CÂBLE COAXIAL exposés aux agents atmosphériques.

La coquille en plastique renferme un gel qui rend étanche le système. La facilité d'installation et une protection de longue durée font du WPE une solution fiable et avantageuse.

### SPÉCIFICATIONS & BÉNÉFICES

- Installation simple et rapide
- Formation spécifique non nécessaire
- Facilement amovible et réutilisable
- Enveloppe et sans risque de déconnexion du connecteur
- Pour l'installation et l'enlèvement, aucun ruban, mastic, ou outil n'est requis

**Température de fonctionnement:** -40 C° / + 65 C°  
**Température de stockage:** -40 C° / + 65 C°



CODE	ARTICLE	JUMPER	FEEDER	ANTENNA CONNECTOR	BOX	WEIGHT
61 2204 0011	WPE 1/2" JTA 4.3-10	1/2" = 13 - 17	-	4.3/10 = 23mm (max)	-	56
61 2204 0012 S	WPE 1/2" JTA-S	1/2" = 13 - 17	-	7/16 = 26mm (max)	-	80
61 2204 0012	WPE 1/2" JTA	1/2" = 13 - 17	-	7/16 = 26mm (max)	-	120
61 2204 0078	WPE 7/8"	1/2" = 13 - 17	7/8" = 27 - 28	-	-	260
61 2204 0114	WPE 1.1/4"	1/2" = 13 - 17	1.1/4" = 38 - 40	-	-	320
61 2204 0158	WPE 1.5/8"	1/2" = 13 - 17	1.5/8" = 49 - 52	-	-	400



## MATERIAL

Tube	Silicone / EPDM rubber*
Colour	Black
Waterproof	IP68
Tube	UV Resistance

\* TEF 1.5/8": EPDM RUBBER

## TEF - Cold Shrink Tube

TEF cold shrink tubes are a series of open-ended tubular silicone/EPDM rubber sleeves, pre-expanded on a removable core for easy installation. After the core is removed, the tube shrinks to its original diameter guaranteeing a perfect sealing on connectors. In applications where the different cable diameter cannot be covered with the tube range, a special cushion is included in the package. The rubber cushion is used to increase the smaller cable diameter and assure the sealing of the cold shrink tube.

## Application

Sealing of feeder connections. TEF offers a timesaving and easy way to secure a waterproof protection. No tools or heating are requested for installation. The shrinking process is done by simply unwinding the removable core.

## TEF - Tubulaires Rétractables à Froid

Les tubulaires rétractables à froid TEF sont une série de manchons en silicone EPDM ouverts aux extrémités, pré-expansés sur un cylindre amovible pour une installation facile. Après l'extraction du cylindre, le manchon se rétracte jusqu'à son diamètre original pour assurer un parfait d'étanchéité des connecteurs. Dans les applications où la différence des diamètres des câbles ne peut pas être couverte par l'excursion du manchon, un ruban en caoutchouc expansé est inclus dans le paquet.

La ruban en caoutchouc expansé est employé pour augmenter le diamètre du plus petit câble pour garantir le d'étanchéité du tubulaire rétractable à froid.

## Applications:

D'étanchéité de connexions. Les TEF offrent une solution rapide et sûre pour une protection étanche. L'installation ne requiert ni outils ni réchauffement.

\*\*For smaller diameter cables, use the included round rubber cushion

CODE	ARTICLE	COLD SHRINK TUBE FOR	RUBBER CUSHION	OPERATING TEMPERATURE	ø D ORIGINAL	L ORIGINAL	L SHRINKED	ø d RANGE	BOX
61 2205 0013	TEF S	Ret Cable to antenna	Not included	-55° / + 200° C	28	90 mm	110 mm	7 - 22	20
61 2205 0014	TEF 1/2" S	3/8" or 1/2" to antenna or RRU	Not included	-55° / + 200° C	40	115 mm	145 mm	10.5 – 34.0	20
61 2205 0011	TEF 1/2" C	3/8" or 1/2" to antenna or RRU	Not included	-55° / + 200° C	45	125 mm	170 mm	10.5 – 39.0	20
61 2205 0012	TEF 1/2"	3/8" or 1/2" to antenna or RRU	Not included	-55° / + 200° C	45	170 mm	200 mm	10.5 – 39.0	20
61 2205 0078	TEF 7/8"	3/8" or 1/2" to 7/8"	Not included	-55° / + 200° C	40	200 mm	240 mm	10.5– 34.0	20
61 2205 0078.01	TEF 7/8" M	3/8" or 1/2" to 7/8"	Not included	-55° / + 200° C	53	230 mm	260 mm	13.0 – 46.0	20
61 2205 0158*	TEF 1.5/8"	1/2" to 1.1/4" or 1.5/8" 5/8" to 1.1/4" or 1.5/8"	included	-40° / + 200° C	70	270 mm	330 mm	32.0** – 63.0	20

TEF Cold Shrink Tubes MUST be installed within one year from manufacturing date reported on product label.

## Heat-shrinking Tubes

### MWT - Heat-shrinking Tubes For the Protection of Cable Joints

Applied through heating with open flame or hot air generator. Excellent protection of cables against humidity.

### MWT - Tubulaires Thermorétractables Pour la Protection des Joints

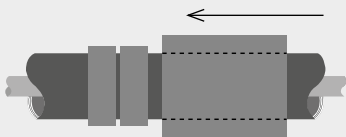
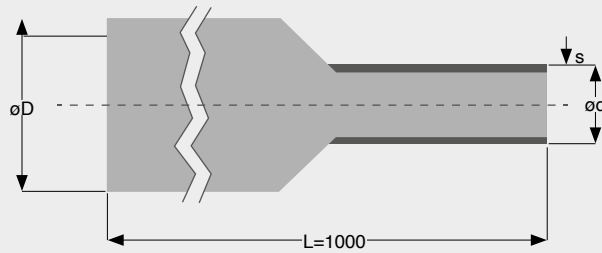
On l'applique en le réchauffant au moyen de flamme nue ou d'un générateur d'air chaud. Excellente protection des câbles contre l'humidité.



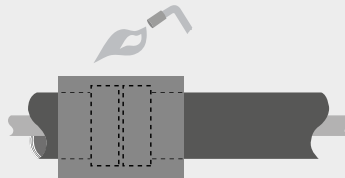
#### MATERIAL

Reticulated Polyolefine

Internal Thermo-Sensitive Adhesive



Cut off a section,  
slide on cable and set it in position



Heat the section



Cover is waterproof when  
the operation is completed.

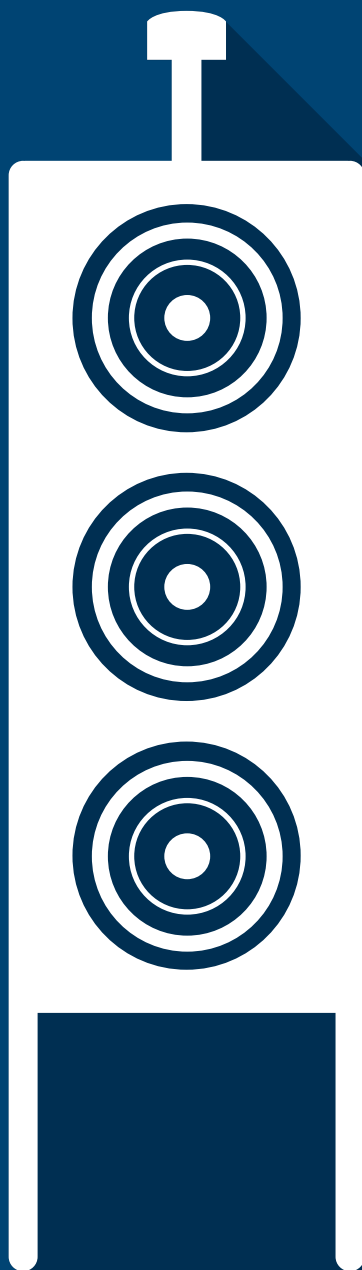
CODE	ARTICLE	D	ød	FOR COAXIAL CABLES	s	BOX	WEIGHT
61 2202 1003	MWT- M 10/ 3	10	3	RG223 - RG59 -RG8	2.0	10	10
61 2202 1605	MWT- M 16/ 5	16	5	RG213 - RG214 -1/4"	2.0	10	10
61 2202 2508	MWT- M 25/ 8	25	8	1/2" - 3/8"	2.0	10	20
61 2202 3212	MWT- M 35/ 12	35	12	5/8" - 7/8"	2.0	10	30
61 2202 5016	MWT- M 50/ 16	50	16	1.1/8" - 1.1/4"	2.0	10	30
61 2202 6319	MWT- M 63/ 19	63	19	1.5/8"	2.0	10	30
61 2202 7522	MWT- M 75/ 22	75	22	2.1/4"	2.0	10	40
61 2202 8525	MWT- M 85/ 25	85	25	3"	2.0	10	40
61 2202 1534	MWT- M 115/ 34	115	34	5"	2.0	10	50





# Tables for Cable Clamps

Product Catalogue



## Nominal Calibrated Saddle Size Tables

DIMENSIONS	SADDLES	6	7	8	9	9M	10	11	13	1/2"S (14)	3/8" (16)	1/2" (17)	
	BOWS	L=12 (*)						L=22 (*)					
	SADDLES DIAMETER	5-6		7-8	8-9	9-10	10-11	10-11	12-13	13-14	15-16	16-17	
SUITABLE FOR CABLES	<b>ACOME</b>	-	-	HPL 50-1/4SF FSJ1-50A 1/4"	-	HPL 50-1/4F	HPL 50-3/8 XF HFR HPL 50-3/8SF FSJ2-50 3/8"	HPL 50-3/8 XF HFR HPL 50-3/8SF FSJ2-50 3/8"	-	HPL 50-1/2SF HPL 50-1/2SF HFR	-	HPL 50-1/2F HPL 50-1/2RM	
	<b>COMMSCOPE</b>	-	-	FSJ1-50A 1/4" FSJ1RK-50B 1/4" PTS1-50-P 1/4"	LDF1-50 1/4" LDF1RK-50 1/4"	-	LDF2-50 3/8" LDF2RK-50 3/8" FSJ2-50 3/8" FSJ2RK-50 3/8" PTS2-50-P 3/8"	LDF2-50 3/8" LDF2RK-50 3/8" FSJ2-50 3/8" FSJ2RK-50 3/8" PTS2-50-P 3/8"	-	FSJ4-50B 1/2"	LDF4-50A 1/2"	-	
	<b>EUPEN</b>	-	-	5042 1/4"	-	5062 1/4"	5082 3/8"	-	-	5092 1/2"	5192 1/2"	5128 1/2"	
	<b>DRAKA</b>	-	-	RFF 1/4"-50	-	RFA 1/4"-50	RFA 3/8"-50 RFF 3/8"-50	RFA 3/8"-50 RFF 3/8"-50	-	RFF 1/2"-50	RFX 1/2"-50	RFA 1/2"-50	
	<b>H+S</b>	-	-	SUCOFEED 1/4 HF FR SUCOFEED 1/4 HF SUCOFEED 1/4 HFX	-	-	SUCOFEED 3/8 HF FR SUCOFEED 3/8 HF	SUCOFEED 3/8 HF FR SUCOFEED 3/8 HF	-	SUCOFEED 1/2 HF SUCOFEED 1/2 HF FR	SUCOFEED 1/2 LW A SUCOFEED ED 1/2 FR	SUCOFEED 1/2 PWA SUCOFEED 1/2	
	<b>RFS</b>	-	-	SCF14-50J SCF14-50JN LCF14*50J	-	-	SCF38-50J LCF14-50J LCF38-50J	SCF38-50J LCF14-50J LCF38-50J	-	SCF12-50J	-	LCF12-50J	
	<b>LEONI</b>	-	-	SLINK 1/4" S	-	SLINK 1/4" R	SLINK 3/8" R SLINK 3/8" S	SLINK 3/8" R SLINK 3/8" S	-	SLINK 1/2" S	SLINK 1/2" R	-	
	<b>LS</b>	-	-	HFSC 6D 1/4"	HFC 6D 1/4"	-	HFSC 10D 3/8"	HFSC 10D 3/8"	-	HFSC 12D 1/2"	HFASC 12D	LHF 12D 1/2" HFC 12D 1/2" RFCX 12D 1/2" RFACX 12D 1/2" HFAC 12D 1/2"	
	<b>HANSEN</b>	RF195 RF200 RF240	-	5D-FB RF300	RF 50 1/4" RF 50Z 1/4"	7D-FB	RF 50 3/8" RF 50 3/8" S RF 50Z 3/8" S RF 50Z 3/8" 8D-FB RF400	RF 50 3/8" RF 50 3/8" S RF 50Z 3/8" S RF 50Z 3/8" 8D-FB RF400	10D-FB RF500	RF 50 1/2"S 10D-FB	12D-FB	-	
	<b>VARIOUS</b>	RG223/U RG58C/U LMR 240	-	RG59 BELDEN 9248 LMR 300	-	-	RG8A/U RG213/U RG214/U BELDEN 9913 LMR 400	RG8A/U RG213/U RG214/U BELDEN 9913 LMR 400	-	-	RF600	-	

(\*)= CLAMPS SRF

DIMENSIONS	SADDLES	5/8"(23)	7/8"S (27)	7/8"S(28)	7/8"(28)	7/8"M(30)	1.1/4"(40)	1.5/8"(52)	2.1/4"(60)	62	3"(74)	3"M(77)	
	BOWS	L=34 (*)				L=46 (*)		L=58 (*)	L=70 (*)		L=80 (*)		
	SADDLES DIAMETERS	21 - 23	26 - 27	27 - 28	29 - 30	36 - 38	39 - 40	50 - 52	59 - 60	60 - 62	72 - 74	74 - 76	
SUITABLE FOR CABLES	ACOME	-	-	HPL 50-7/8 F	-	-	HPL 50-1-1/4F	HPL 50-1-5/8F	-	-	-	-	
	COMMSCOPE	LDF4.5-50 5/8"	-	AVA5-50 7/8" AVA5-50FX 7/8" AVA5RK-50 7/8"	-	-	AVA6-50 1-1/4" AVA6P-50-42 1-1/4"	AVA7-50 1-5/8" AVA7-50 RK 1-5/8"	-	-	-	HJ8-50B 3"	
	EUPEN	5168 5/8"	-	55228A 7/8"	-	-	5328A 1.1/4"	5438A 1.5/8"	-	-	-	-	
	DRAKA	-	-	RFA 7/8"-50 RFE 7/8"-50 RFX 7/8"-50 RFXT 7/8"-50 MBHF	-	-	RFA 1 1/4"- 50 RFX 1 1/4"- 50 RFXT 1 1/4"- 50 MBHF	RFA 1 5/8"- 50 RFX 1 5/8"- 50	RFA 2 1/4"- 50	-	-	-	-
	H + S	-	-	SUCOFEED 7/8 LW LA SUCOFEED 7/8 HF A SUCOFEED 7/8 FR SUCOFEED 7/8 SUCOFEED 7/8 LA FRA SUCOFEED 7/8 LA FRA	-	-	SUCOFEED 1 1/4 HF A SUCOFEED 1 1/4 FR A SUCOFEED 1 1/4	SUCOFEED 1 5/8 LW A SUCOFEED 1 5/8 LA A SUCOFEED 1 5/8	-	-	-	-	
	RFS	-	-	LCF78-50JA HCA78-50J	-	HCA118-50J	LCFS114-50	LCF158-50 HCA158-50J	-	HCA214-50J	-	HCA300- 50J	
	LEONI	-	-	SLINK 7/8" R	-	-	SLINK 1-1/4" R	SLINK 1-5/8" R	-	-	-	-	
	LS	-	-	LHF 22D 7/8" HFC 22D 7/8" HFSC 22D 7/8" RFCX 22D 7/8" RFACX 22D 7/8" HFAC 22D 7/8"	-	HFAC 33D 1.1/4"	LHF 33D 1.1/4" HFC 33D 1.1/4" RFCX 33D 1.1/4"	LHF 42D 1.5/8" HFC 42D 1.5/8" RFCX 42D 1.5/8" HFAC 42D 1.5/8"	-	-	-	-	
	HANSEN	-	-	RF50 7/8" L RF50 7/8" LAL RF50Z 7/8" LAL RF50Z 7/8" L RF50 7/8" S RF50Z 7/8" S	-	-	RF50 1.1/4"	RF50 1.5/8"	-	-	-	-	
	VARIOUS	-	-	-	-	-	-	-	-	-	-	-	

(\*)= CLAMPS SRF









	CABLE TYPE	NOMINAL SIZE	CABLE CLAMPS RF																								
			6	7	8	9	9M	10	11	13	1/2"S (14)	3/8" (16)	1/2" (17)	5/8" (23)	7/8"S (27)	7/8" (28)	7/8"M (30)	1.1/8" (38)	1.1/4" (40)	1.5/8" (52)	2.1/4" (60)	62	3" (74)	3"M (77)			
LS	HFAC 33D 1.1/4"	37																x									
	LHF 33D 1.1/4"	40																	x								
	HFC 33D 1.1/4"	40																	x								
	RFCX 33D 1.1/4"	40																	x								
	LHF 42D-U 1.5/8"	50																			x						
	LHF 42D 1.5/8"	50																			x						
	HFC 42D 1.5/8"	50																			x						
	RFCX 42D 1.5/8"	50																			x						
	HFAC 42D 1.5/8"	50																			x						
HANSEN	RF195	5	x																								
	RF200	5	x																								
	RF240	6	x																								
	5D-FB	8			x																						
	RF300	8			x																						
	RF 50 1/4"	9				x																					
	RF 50Z 1/4"	9				x																					
	7D-FB	10					x																				
	RF 50 3/8"	11						x																			
	RF 50 3/8" S	11						x																			
	RF 50Z 3/8" S	11						x																			
	RF 50Z 3/8"	11						x																			
	8D-FB	11						x																			
	RF400	11						x																			
	10D-FB	13							x	x																	
	RF500	13							x	x																	
	RF 50 1/2"S	14								x																	
	12D-FB	16									x																
	RF50 7/8" L	28																			x						
	RF50 7/8" LAL	28																			x						
RF50Z 7/8" LAL	28																			x							
RF50Z 7/8" L	28																			x							
RF50 7/8" S	28																			x							

CABLE TYPE	NOMINAL SIZE	CABLE CLAMPS RF																						
		6	7	8	9	9M	10	11	13	1/2"S (14)	3/8" (16)	1/2" (17)	5/8" (23)	7/8"S (27)	7/8" (28)	7/8"M (30)	1.1/8" (38)	1.1/4" (40)	1.5/8" (52)	2.1/4" (60)	62	3" (74)	3"M (77)	
RF50Z 7/8" S	28														x									
RF50 1.1/4"	40																x							
RF50 1.5/8"	50																	x						

# Radiating Cable Clamps

TABLES FOR CABLE CLAMPS  
PRODUCT CATALOGUE

## RAW · RAR · RAX | Cross Reference Tables

	CABLE TYPE	NOMINAL Ø	CABLE CLAMPS RAW - RAX - RAR										
			Ø 15,5 - 17	Ø 26,5 - 28	Ø 28 - 29,5	Ø 38,5 - 40	Ø 40,5 - 42	Ø 41 - 42,5	Ø 48,5 - 50,5	Ø 50,5 - 52			
			1/2"	7/8"	7/8" M	1.1/4"	1.1/4" M	1.1/4" M+	1.5/8"	1.5/8" M			
COMMSCOPE	1/2" RCT4-WBC-1X-RNA	16	x										
	RF50Z 7/8" S	28											
	7/8"	RCT5-CP-1A-RNA	28		x								
		RCT5-LT-1A-RNA	28		x								
		RCT5-LTC-2A-RNA	28		x								
		RCT5-LTC-2A-RNAM	28		x								
		RCT5-WBC-1X-RNA	28		x								
	1.1/4"	RCT6-CPUS-1A-RNA	39				x						
		RCT6-LT-1A-RNA	39				x						
		RCT6-LTC-4A-RNA	39				x						
		RCT6-LTC-5A-RNA	39				x						
		RCT6-LTC-5A-RNAM	39				x						
		RCT6-S-1A-RNA	39				x						
		RCT6-WBC-1X-RNA	39				x						
	1.5/8"	RCT7-C-2A-RNA	50									x	
		RCT7-CP-1A-RNA	50									x	
		RCT7-CPUS-4A-RNA	50									x	
		RCT7-LTC-4A-RNA	50									x	
		RCT7-LTC-4A-RNAM	50									x	
		RCT7-WBC-1X-RNA	50									x	
RCT7-WBC-2A-RNAM		50									x		
RCT7-WBC-3A-RNA		50									x		
RCT7-WBC-4A-RNA		50									x		
EUPEN	1/2" CMC 12	15,5	x										
	RMC 12-B	15,5	x										
	RMC 12	15,5	x										
	RMC 12-EH	15,5	x										
	RMC 12-T	15,5	x										
	RMC 12-CL	15,5	x										
	RMC 12-CH	15,5	x										
	5/8" RMC 58	21	Not Available										
	RMC 58-T	21	Not Available										
	7/8"	LSC 78	27		x								
		RMC 78	27		x								
		RMC 78-T "A" Series	27		x								
		RMC 78-B "A" Series	27		x								
		RMC 78-CL "A" Series	27		x								
	1.1/4"	RMC 78-G "A" Series	27		x								
		RMC 114 "A" Series	38				x						
		RMC 114-T "A" Series	38				x						
		RMC 114-B "A" Series	38				x						
	1.5/8"	RMC 114-G "A" Series	38				x						
		RMC114-B-HLFRB/D	42						x				
RMC158-E-HLFRB/D		53											
RMC 158 "A" Series		48									x		
RMC 158-T "A" Series		48									x		
1.5/8"	RMC 158-B "A" Series	48									x		
	RMC 158-E "A" Series	48									x		
	RFX 1/2"-50	16	x										
	RFX 7/8"-50	28		x									
DRAKA	7/8" RFXT 7/8"-50 MBHF	28		x									
	1.1/4" RFX 1 1/4"-50	39				x							
	1.5/8" RFXT 1 1/4"-50 MBHF	39				x							
	RFX 1 5/8"-50	50									x		
RFS	1/2" RLK12-50CPR	15											
	RLK12-50JFLA	15											
	RLK12-50JFNA	15											
	RLKU12-50CPR	15											
	RLKU12-50JFLA	15											
	RLKU12-50JFNA	15											
	RLKW12-50CPR	15											
RLKW12-50JFLA	15												

		CABLE TYPE	NOMINAL Ø	CABLE CLAMPS RAW - RAX - RAR							
				Ø 15,5 - 17	Ø 26,5 - 28	Ø 28 - 29,5	Ø 38,5 - 40	Ø 40,5 - 42	Ø 41 - 42,5	Ø 48,5 - 50,5	Ø 50,5 - 52
				1/2"	7/8"	7/8" M	1.1/4"	1.1/4" M	1.1/4" M+	1.5/8"	1.5/8" M
RFS	7/8"	RLKW78-50JFNA	28,5			x					
		RLKW78-50JFLA	28,5			x					
		RLKW78-50CPR	28,5			x					
		RLKU78-50JFNA	28,5			x					
		RLKU78-50JFLA	28,5			x					
		RLKU78-50CPR	28,5			x					
		RLK78-50JFNA	28,5			x					
		RLK78-50JFLA	28,5			x					
	1.1/4"	RLK78-50CPR	28,5			x					
		RLK114-50CPR	38				x				
		RLK114-50JFLA	38				x				
		RLK114-50JFNA	38				x				
		RLKL114-50JFLAD	38				x				
		RLKL114-50JFNAD	38				x				
		RLKU114-50CPRH	38				x				
		RLKU114-50JFLAH	38				x				
		RLKU114-50JFNAH	38				x				
		RLKW114-50CPR	38				x				
		RLKW114-50JFLA	38				x				
		RLKW114-50JFNA	38				x				
1.5/8"	RAY158-50CPR	48							x		
	RAY158-50JFLA	48							x		
	RAY158-50JFNA	48							x		
	RAYA158-50CPR	48							x		
	RAYA158-50JFLA	48							x		
	RAYA158-50JFNA	48							x		
	RCF158-50JFLA	50							x		
	RCF158-50JFNA	50							x		
	RLK158-50CPR	48							x		
	RLK158-50JFLA	48							x		
	RLK158-50JFNA	48							x		
	RLKU158-50CPRH	48							x		
	RLKU158-50JFLA	48							x		
	RLKU158-50JFLAH	48							x		
RLKU158-50JFNAH	48							x			
TRILOGY	1/2"	AR012J50	15	Not avail							
		AR012FX50	15	Not avail							
		AR012R50	16,6	x							
		AQ012J50	16	x							
		AQC012J50	16	x							
	7/8"	AR078J50	28			x					
		AR078FX50	28			x					
		AR078FV50	28			x					
		AR078FV50-3B	28			x					
		AR078FV50-3C	28			x					
		AR078FV50-3D	28			x					
		AR078R50	29			x					
	1.1/4"	AR114J50	41				x				
		AR114FX50	41				x				
		AR114FV50	41				x				
		AR114FV50-2B	41				x				
		AR114FV50-2C	41				x				
		AR114FV50-2D	41				x				
	AR114R50	42,3						x			
	1.5/8"	AR158J50	51							x	
AR158FX50		51							x		
AR158FV50		51							x		
AR158FV50-1B		51							x		
AR158FV50-1C		51							x		
AR158FV50-1D		51							x		
AR158R50	52							x			

		CABLE TYPE	NOMINAL Ø	CABLE CLAMPS RAW - RAX - RAR						
				Ø 15,5 - 17 1/2"	Ø 26,5 - 28 7/8"	Ø 28 - 29,5 7/8" M	Ø 38,5 - 40 1.1/4"	Ø 40,5 - 42 1.1/4" M	Ø 41 - 42,5 1.1/4" M+	Ø 48,5 - 50,5 1.5/8"
LS	7/8"	RFCL 22D	30			x				
	1.1/4"	RFCL 33D	38				x			
	1.5/8"	RFCL 42D	50						x	
HENSEN	1/2"	CMC 50D-12	16	x						
		CMC 50R-9	16	x						
		CMC 50S-12	16	x						
		CMC 75R-9	16	x						
		RMC 50L-12	16	x						
		RMC 50LM-12	16	x						
		RMC 50MH-12	16	x						
HENSEN	7/8"	CMC 50D-78	27		x					
		CMC 50S-78	27		x					
		RMC 50L-78	27		x					
		RMC 50L-78L	27		x					
		RMC 50LM-78	27		x					
		RMC 50LM-78L	27		x					
		RMC 50MH-78	27		x					
HENSEN	1.1/4"	RMC 50MH-78L	27		x					
		CMC 50D-78L	28		x					
		CMC 50S-78L	28		x					
		CMC 50D-114	39				x			
		CMC 50S-114	39				x			
		CMC 50D-114L	40				x			
		RMC 50L-158	48						x	
HENSEN	1.5/8"	RMC 50L-158L	48						x	
		RMC 50LM-158	48						x	
		RMC 50LM-158L	48						x	
		RMC 50LMH-158L	48						x	
		RMC 50MH-158	48						x	
		RMC 50MH-158L	48						x	
		CMC 50D-158	50						x	
CMC 50D-158L	50						x			
		CMC 50S-158	50					x		

RAC | Cross Reference Tables

		CABLE TYPE	NOMINAL Ø	CABLE CLAMPS RAC						
				Ø 15 - 18 RAC 1/2"	Ø 20 - 23 RAC 5/8"	Ø 27 - 29 RAC 7/8"	Ø 29 - 32 RAC 7/8" M	Ø 38 - 40 RAC 1.1/4"	Ø 40 - 43 RAC 1.1/4" M	Ø 43 - 47 RAC 1.1/4" R
LS	1/2"	RCT4-WBC-1X-RNA	16	x						
		RF50Z 7/8" S	28			x				
HENSEN	7/8"	RCT5-CP-1A-RNA	28			x				
		RCT5-LT-1A-RNA	28			x				
		RCT5-LTC-2A-RNA	28			x				
		RCT5-LTC-2A-RNAM	28			x				
		RCT5-WBC-1X-RNA	28			x				
COMMSCOPE	1.1/4"	RCT6-CPUS-1A-RNA	39					x		
		RCT6-LT-1A-RNA	39					x		
		RCT6-LTC-4A-RNA	39					x		
		RCT6-LTC-5A-RNA	39					x		
		RCT6-LTC-5A-RNAM	39					x		
		RCT6-S-1A-RNA	39					x		
		RCT6-WBC-1X-RNA	39					x		
COMMSCOPE	1.5/8"	RCT7-C-2A-RNA	50							x
		RCT7-CP-1A-RNA	50							x
		RCT7-CPUS-4A-RNA	50							x
		RCT7-LTC-4A-RNA	50							x
		RCT7-LTC-4A-RNAM	50							x
		RCT7-WBC-1X-RNA	50							x
		RCT7-WBC-2A-RNAM	50							x
RCT7-WBC-3A-RNA	50							x		
		RCT7-WBC-4A-RNA	50						x	



		CABLE TYPE	NOMINAL Ø	CABLE CLAMPS RAC								
				Ø 15,5 - 17	Ø 26,5 - 28	Ø 28 - 29,5	Ø 38,5 - 40	Ø 40,5 - 42	Ø 41 - 42,5	Ø 48,5 - 50,5	Ø 50,5 - 52	
				RAC 1/2"	RAC 7/8"	RAC 7/8" M	RAC 1.1/4"	RAC 1.1/4" M	RAC 1.1/4" M+	RAC 1.5/8"	RAC 1.5/8" M	
RFS	1.5/8"	RAYA158-50JFNA	48								X	
		RCF158-50JFLA	50								X	
		RCF158-50JFNA	50								X	
		RLK158-50CPR	48								X	
		RLK158-50JFLA	48								X	
		RLK158-50JFNA	48								X	
		RLKU158-50CPRH	48								X	
		RLKU158-50JFLA	48								X	
		RLKU158-50JFLAH	48								X	
		RLKU158-50JFNA	48								X	
RLKU158-50JFNAH	48								X			
TRIOLOGY	1/2"	AR012J50	15									
		AR012FX50	15									
		AR012R50	16,6	x								
	7/8"	AQ012J50	16	x								
		AR078J50	28			x						
		AR078FX50	28			x						
		AR078FV50	28			x						
		AR078FV50-3B	28			x						
		AR078FV50-3C	28			x						
		AR078FV50-3D	28			x						
AR078R50	29			x								
1.1/4"	AR114J50	41					x					
	AR114FX50	41					x					
	AR114FV50	41					x					
	AR114FV50-2B	41					x					
	AR114FV50-2C	41					x					
	AR114FV50-2D	41					x					
AR114R50	42,3					x						
1.5/8"	AR158J50	51									x	
	AR158FX50	51									x	
	AR158FV50	51									x	
	AR158FV50-1B	51									x	
	AR158FV50-1C	51									x	
	AR158FV50-1D	51									x	
LS	7/8"	AR158R50	52									
	1.1/4"	RFCL 22D	30				x					
	1.5/8"	RFCL 33D	38									
HENSEN	1/2"	RFCL 42D	50								x	
		CMC 50D-12	16	x								
		CMC 50R-9	16	x								
		CMC 50S-12	16	x								
		CMC 75R-9	16	x								
		RMC 50L-12	16	x								
	7/8"	RMC 50LM-12	16	x								
		RMC 50MH-12	16	x								
		CMC 50D-78	27		x							
		CMC 50S-78	27		x							
		RMC 50L-78	27		x							
		RMC 50L-78L	27		x							
		RMC 50LM-78	27		x							
		RMC 50LM-78L	27		x							
		RMC 50MH-78	27		x							
		RMC 50MH-78L	27		x							
	1.1/4"	CMC 50D-78L	28		x							
		CMC 50S-78L	28		x							
		CMC 50D-114	39				x					
		CMC 50S-114	39				x					
1.5/8"	CMC 50D-114L	40				x						
	RMC 50L-158	48								x		
	RMC 50L-158L	48								x		
	RMC 50LM-158	48								x		
	RMC 50LM-158L	48								x		
	RMC 50LMH-158L	48								x		
	RMC 50MH-158	48								x		
	RMC 50MH-158L	48								x		
CMC 50D-158	50								x			
CMC 50D-158L	50								x			
CMC 50S-158	50								x			











## **GENERAL INFORMATION**

### **Products developments and improvements**

Figures, drawings, dimensions and technical information included in our catalogue are valid at the time of printing.

The continuous technical evolution may require developments intended to improve the product.

Fi.Mo.Tec S.p.A. reserves the right to modify the technical specifications without prior notice, according to the technological progress.

Possible misprints will in no case lead to disputes for incidental damage caused to persons or things.