

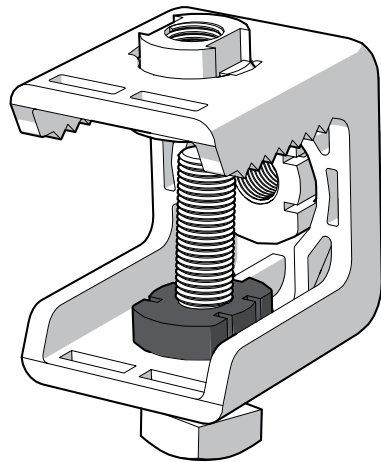
MDM P

Plastic Universal Angle Adaptor

Copyright © Fi.Mo.Tec. S.p.A.
www.fimoworld.com

IST. 094 - REV. 0 - 09/20

INSTALLATION INSTRUCTIONS



⚠️ WARNINGS!

Installation of products must be performed by qualified, trained and experienced personnel. Installation personnel must be correctly and safely equipped. Mounting instructions and warnings must be read prior to installation. Warnings alert you to possible dangers about improper use of product. Failure to observe warnings may result in injury or death to you or others.



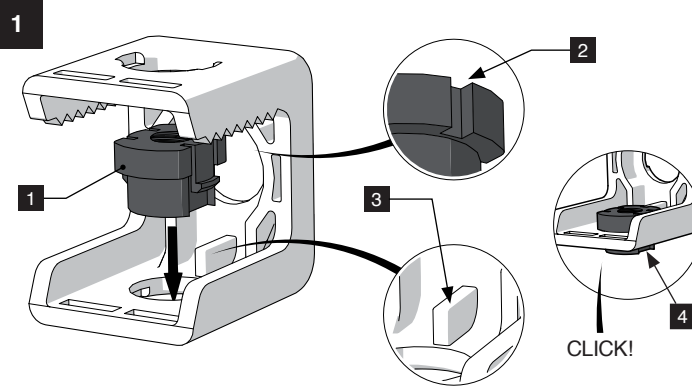
Fi.Mo.Tec. S.p.A. is certificated ISO 9001 and RoHS DIRECTIVES compliant.



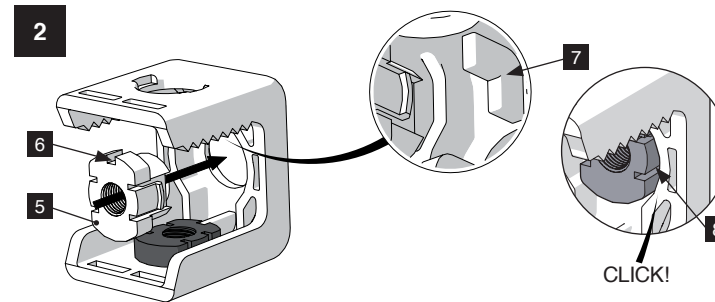
All rights reserved. Passing on and copying of this document, use and communication of its contents not permitted without Fi.Mo.Tec. S.p.A. prior consent.



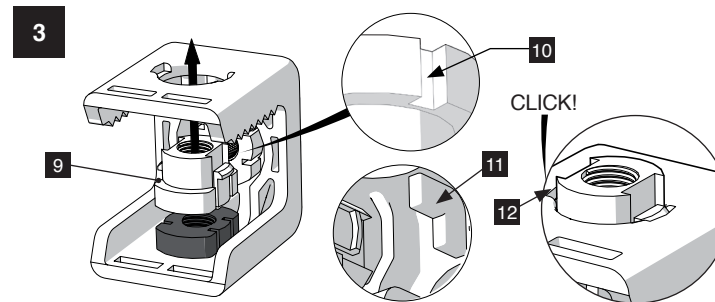
MDM 3/8" P



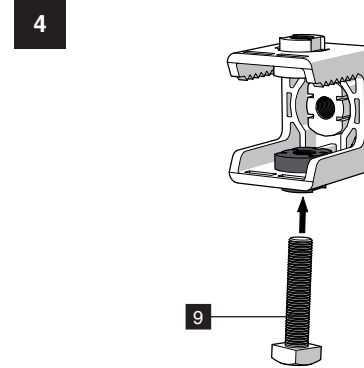
Plug the insert ISP 3/4" - 3/8" O (1) keeping the notch (2) in correspondence of anti-rotation rib (3) till lock position (4). For correct lock of insert, push axially in the hole. To facilitate insert locking, eventually apply a soft tap with a small tool.



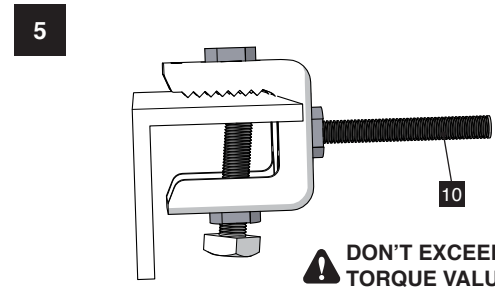
Plug the insert ISP 3/4" - 3/8" V (5) keeping the notch (6) in correspondence of anti-rotation rib (7) till lock position (8). For correct lock of insert, push axially in the hole. To facilitate insert locking, eventually apply a soft tap with a small tool.



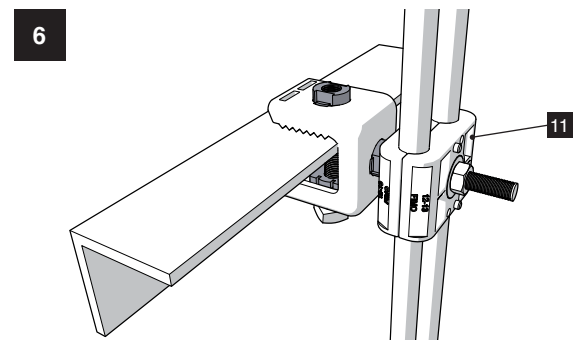
Plug the insert ISP 3/4" - 3/8" V (9) keeping the notch (10) in correspondence of anti-rotation rib (11) till lock position (12). For correct lock of insert, push axially in the hole. To facilitate insert locking, eventually apply a soft tap with a small tool.



Fasten the plastic screw (9) into insert ISP 3/4" - 3/8" O.



Place MDM P on the support and tighten the screw 0,8-1 Nm MAX. Fasten threaded rod (10) into insert ISP 3/4" - 3/8" V.



Install cable blocks (11) as per relevant mounting instructions.

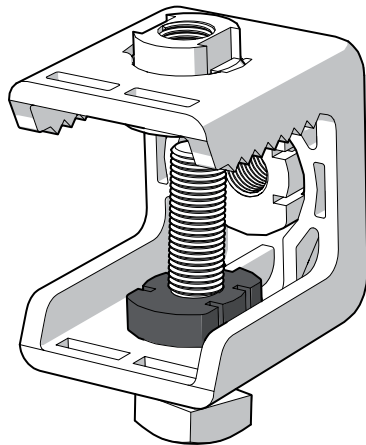
MDM P

Plastic Universal Angle Adaptor

Copyright © Fi.Mo.Tec. S.p.A.
www.fimoworld.com

IST. 094 - REV. 0 - 09/20

INSTALLATION INSTRUCTIONS



⚠️ WARNINGS!

Installation of products must be performed by qualified, trained and experienced personnel. Installation personnel must be correctly and safely equipped. Mounting instructions and warnings must be read prior to installation. Warnings alert you to possible dangers about improper use of product. Failure to observe warnings may result in injury or death to you or others.



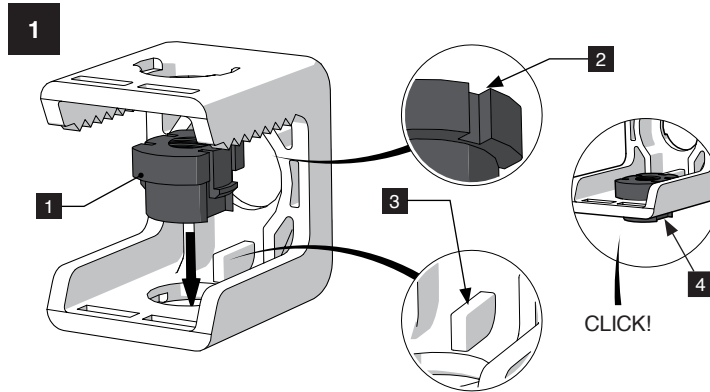
Fi.Mo.Tec. S.p.A. is certificated ISO 9001 and RoHS DIRECTIVES compliant.



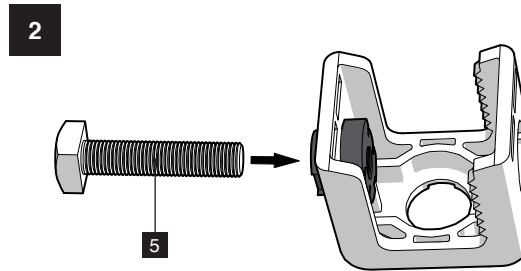
All rights reserved. Passing on and copying of this document, use and communication of its contents not permitted without Fi.Mo.Tec. S.p.A. prior consent.



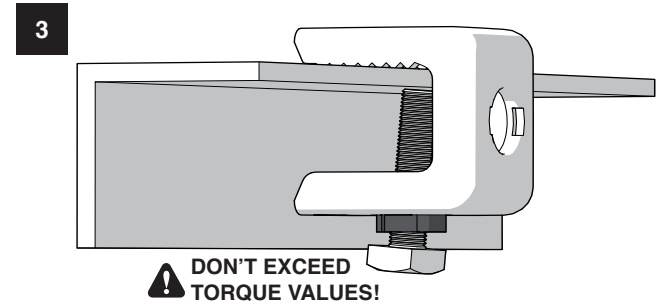
MDM 2x3/4" P



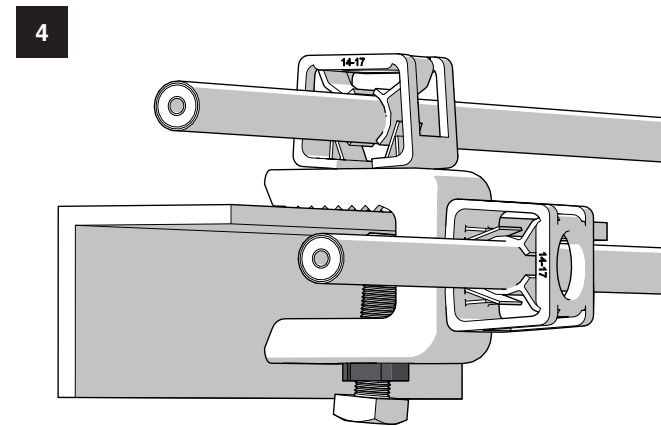
Plug the insert ISP 3/4" - 3/8" O (1) keeping the notch (2) in correspondence of anti-rotation rib (3) till lock position (4). For correct lock of insert, push axially in the hole. To facilitate insert locking, eventually apply a soft tap with a small tool.



Fasten the plastic screw (5) into insert ISP 3/4" - 3/8" O

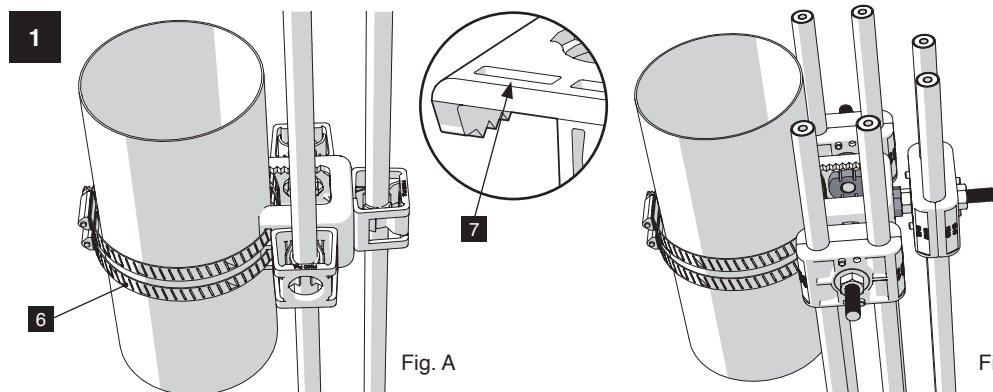


Place MDM P on the support and tighten the screw 0,8-1 Nm MAX.



Plug SIC P / SIC H snap-in clamps into 3/4" holes.

MDM 3x3/4" P



Insert a tie wrap / hose clamp (6) in each slot (7) then tighten the MDM P to the pole with the tie wraps.

Fig. A

Fig. B