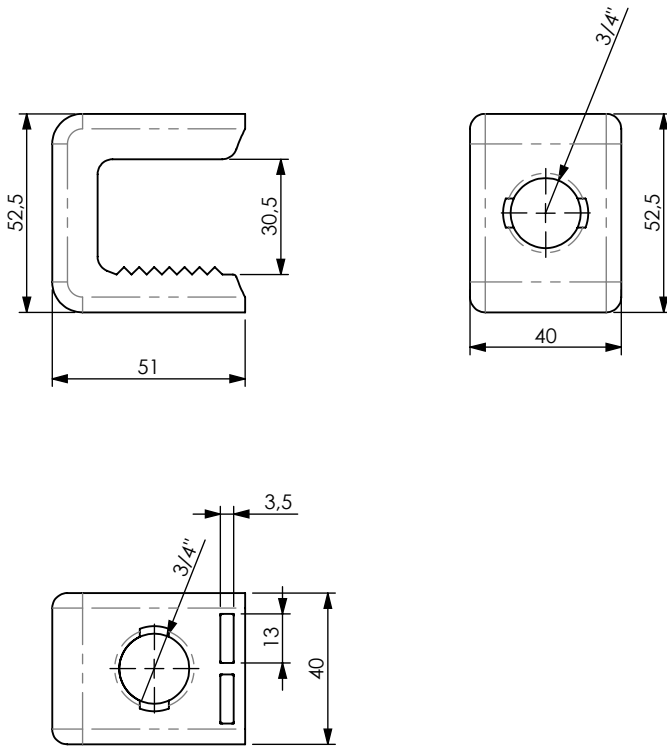


# PRODUCT DATA SHEET



## A) SPECIFICATIONS

Material:  
Glass reinforced P.A.  
U.V. Resistant  
Halogen Free

## B) RESISTANCE TESTS

Operating temperature: -30°C +120°C

## C) PACKAGING INFORMATION

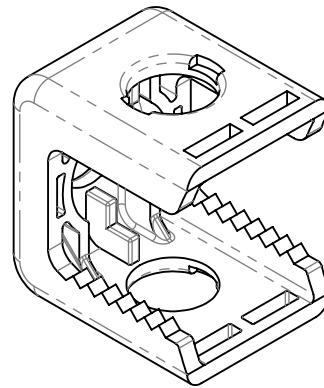
Packing in boxes.  
Label indicating:  
product code, article, quantity,  
production batch,  
FIMO logo and figure.  
( Customer code on request ).

## D) INSTALLATION TORQUE

Tighten screw 0.8-1Nm Max

## E) MOUNTING INSTRUCTIONS

On request



code	<b>6125233019</b>
article	MDM 3x3/4\"P

100	0.22kg.

RI	DATE	DR	DATE	AP	Description:  MDM 3x3/4\"P=Plastic Universal Angle Adaptor 3 holes 3/4\"
02					
01					
00	27/02/24	G.S.	27/02/24	A.V.	
1 <sup>ST</sup> EMISSION					
<p><i>Use:</i> Heavy Duty monobloc bidirectional plastic clamp available with three 3/4\" holes and slots for the installation with two plastic tie wraps to various structures like poles and pylons.</p>					