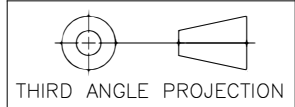
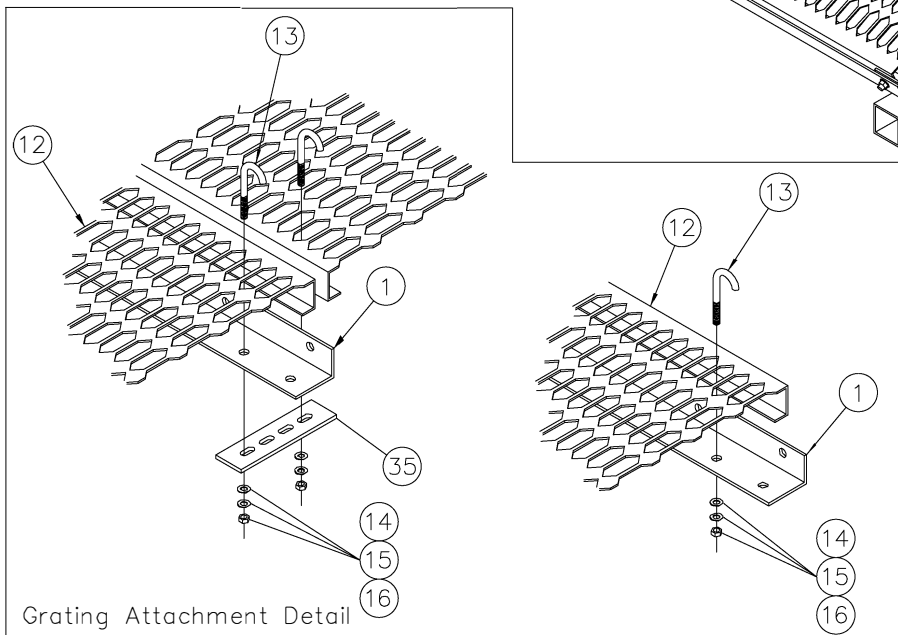


REVISIONS

REV.	ECO	DESCRIPTION	BY	DATE
A	MTW	INITIAL RELEASE	ACG	10/17/11

ITEM	PART NUMBER	DESCRIPTION	QTY
1		Angle, Gripstrut, 74" Long	9
2		Angle, Incline, 37.5" Long	4
3		Angle, Horizontal, 49.5" Long	2
4		Plate, Tube Mount, 7 x 14" Plate	2
5		Plate, Bottom Angle Connector, 1/4" Plate	4
6		Plate, Side Angle Connector, 1/4" Plate	4
7		Sq Tube, 120" Long	1
8		Plate-Guy Wire, 4.5" Plate	3
9		Corner Clip Angle, 3 x 3	4
10		Cross Pipe Plate	1
11		Half Clamp, Medium	3
12		Grating, 24" x 2" x 72" Long	4
*		Grating, 12" x 2" x 72" Long	2
13		J-BOLT-3/8"	24
14		3/8" HEX NUT	24
15		3/8" LOCK WASHER	24
16		3/8" FLAT WASHER	24
17		1/2" Sq U-Bolt for 3" Sq Tube, Grade 5	6
18		Threaded Rod, 1/2" x 8", HDG	2
19		Bolt, 1/2" x 1-1/2" (A325) HH HDG	58
20		Nut, Hex, 1/2" HDG	74
21		Flat Washer, 1/2" HDG	74
22		Lock Washer, 1/2" HDG	74
23		Threaded Rod, 5/8" x 8", HDG	4
24		Nut, Hex, 5/8" HDG	8
25		Flat Washer, 5/8" HDG	8
26		Lock Washer, 5/8" HDG	8
27		Guy Wire	100'
28		Shackle	3
29		Thimble	6
30		Cable Clip	12
31		Jaw/Eye Turnbuckle	3
32		Angle, Incline Brace, 80.41" Long	2
33		Angle, Horizontal Brace, 84.03" Long	1
34		Shim Plate	2
35		Plate for Securing Grating	6



ALL DIMENSIONS ARE IN INCHES U.O.S.
 TOLERANCES UNLESS OTHERWISE SPECIFIED:
 .X = ±.06 ANGLES ±2'
 .XX = ±.03 FRACTIONS ±1/32
 .XXX = ±.010
 REMOVE BURRS AND BREAK EDGES .005
 DO NOT SCALE THIS PRINT

DRAWN BY: ACG
 CHECKED BY: CC
 REVISION: A

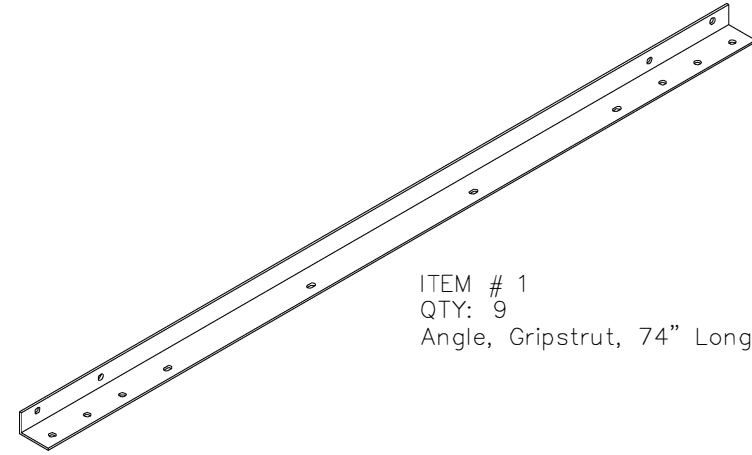
DATE: 10/17/11
 SHEET: 1 OF 3
 SCALE: NTS

MATERIAL: A36, A500
 FINISH: Galv A123

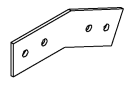
PART NUMBER: FM-MIS8C
 DESCRIPTION: 8' ICE SHIELD, CURVED DESIGN
 Drawing Type: Assembly Drawing

REVISIONS				
REV.	ECO	DESCRIPTION	BY	DATE
A	MTW	INITIAL RELEASE	ACG	10/17/11

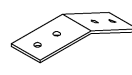
ITEM	PART NUMBER	DESCRIPTION	QTY
1		Angle, Gripstrut, 74" Long	9
2		Angle, Incline, 37.5" Long	4
3		Angle, Horizontal, 49.5" Long	2
4		Plate, Tube Mount, 7 x 14" Plate	2
5		Plate, Bottom Angle Connector, 1/4" Plate	4
6		Plate, Side Angle Connector, 1/4" Plate	4
7		Sq Tube, 120" Long	1
8		Plate-Guy Wire, 4.5" Plate	3
9		Corner Clip Angle, 3 x 3	4
10		Cross Pipe Plate	1
11		Half Clamp, Medium	3
12		Grating, 24" x 2" x 72" Long	4
*		Grating, 12" x 2" x 72" Long	2
13		J-BOLT-3/8"	24
14		3/8" HEX NUT	24
15		3/8" LOCK WASHER	24
16		3/8" FLAT WASHER	24
17		1/2" Sq U-Bolt for 3" Sq Tube, Grade 5	6
18		Threaded Rod, 1/2" x 8", HDG	2
19		Bolt, 1/2" x 1-1/2" (A325) HH HDG	58
20		Nut, Hex, 1/2" HDG	74
21		Flat Washer, 1/2" HDG	74
22		Lock Washer, 1/2" HDG	74
23		Threaded Rod, 5/8" x 8", HDG	4
24		Nut, Hex, 5/8" HDG	8
25		Flat Washer, 5/8" HDG	8
26		Lock Washer, 5/8" HDG	8
27		Guy Wire	100'
28		Shackle	3
29		Thimble	6
30		Cable Clip	12
31		Jaw/Eye Turnbuckle	3
32		Angle, Incline Brace, 80.41" Long	2
33		Angle, Horizontal Brace, 84.03" Long	1
34		Shim Plate	2
35		Plate for Securing Grating	6



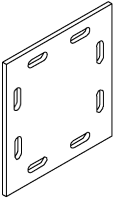
ITEM # 1
QTY: 9
Angle, Gripstrut, 74" Long



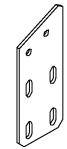
ITEM # 6
QTY: 4
Plate, Side Angle Connector, 1/4" Plate



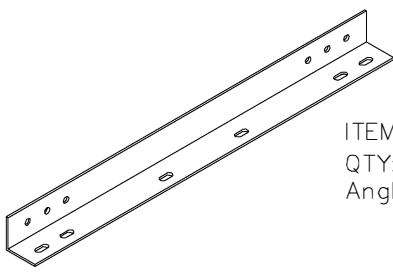
ITEM # 5
QTY: 4
Plate, Bottom Angle Connector, 1/4" Plate



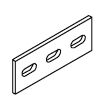
ITEM # 10
QTY: 1
Cross Pipe Plate



ITEM # 4
QTY: 2
Plate, Tube Mount, 7 x 14" Plate



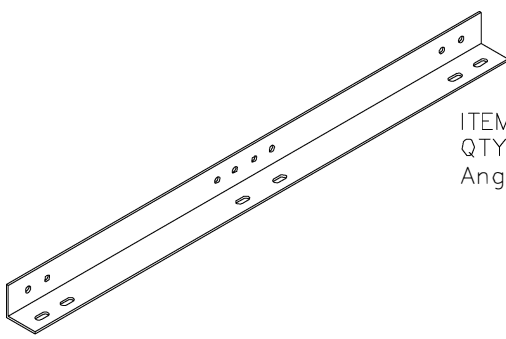
ITEM # 2
QTY: 4
Angle, Incline, 37.5" Long



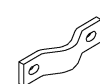
ITEM # 34
QTY: 2
Shim Plate



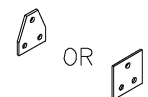
ITEM # 9
QTY: 4
Corner Clip Angle, 3 x 3



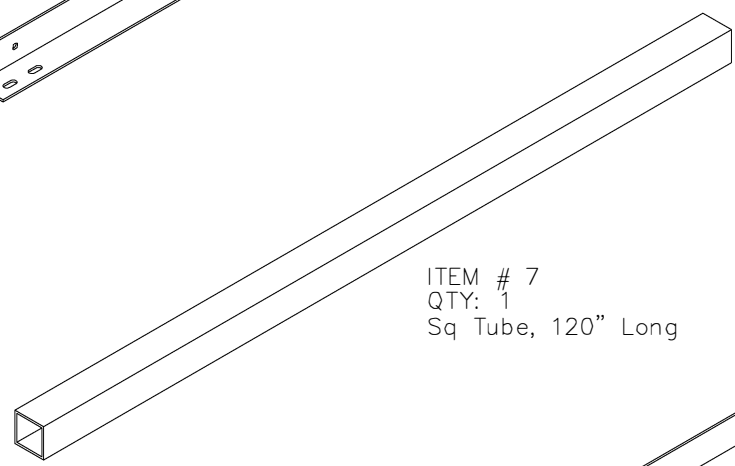
ITEM # 3
QTY: 2
Angle, Horizontal, 48.5" Long



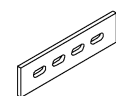
ITEM # 11
QTY: 3
Half Clamp, Medium



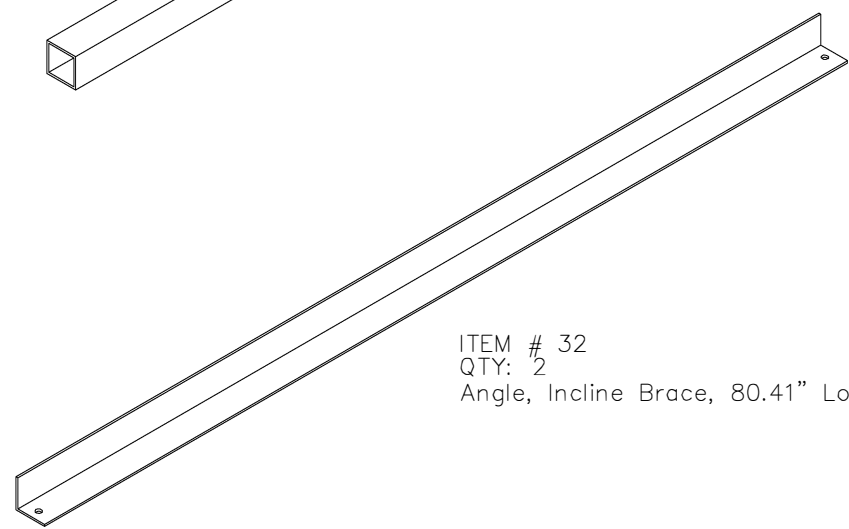
ITEM # 8
QTY: 3
Plate-Guy Wire, 4.5" Plate



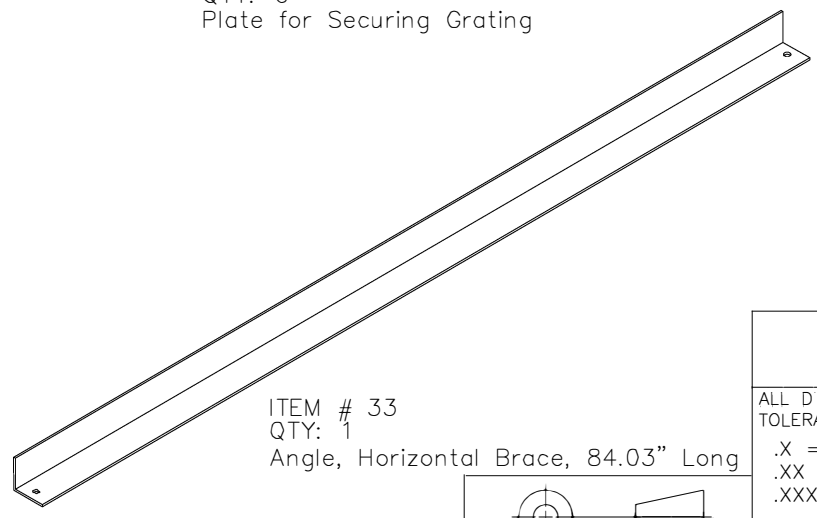
ITEM # 7
QTY: 1
Sq Tube, 120" Long



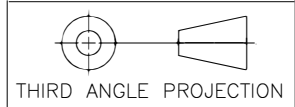
ITEM # 35
QTY: 6
Plate for Securing Grating



ITEM # 32
QTY: 2
Angle, Incline Brace, 80.41" Long



ITEM # 33
QTY: 1
Angle, Horizontal Brace, 84.03" Long



ALL DIMENSIONS ARE IN INCHES UNLESS OTHERWISE SPECIFIED: .X = ±.06 ANGLES ±2' .XX = ±.03 FRACTIONS ±1/32 .XXX = ±.010 REMOVE BURRS AND BREAK EDGES .005 DO NOT SCALE THIS PRINT	DRAWN BY: ACG	DATE: 10/17/11	PART NUMBER: FM-MIS8C
	CHECKED BY: CC	SHEET: 3 OF 3	DESCRIPTION: 8' ICE SHIELD, CURVED DESIGN
	REVISION: A	SCALE: NTS	Drawing Type: Assembly Drawing
		MATERIAL: A36, A500	
	FINISH: Galv A123		

