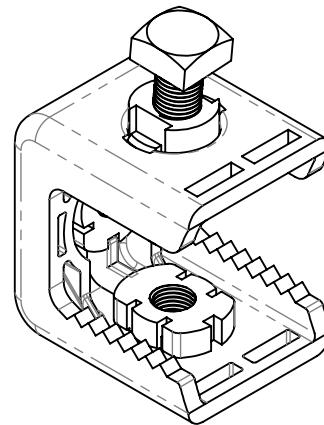
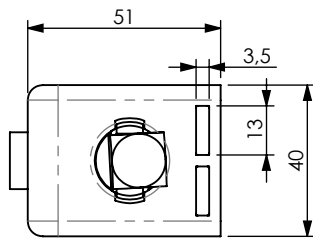
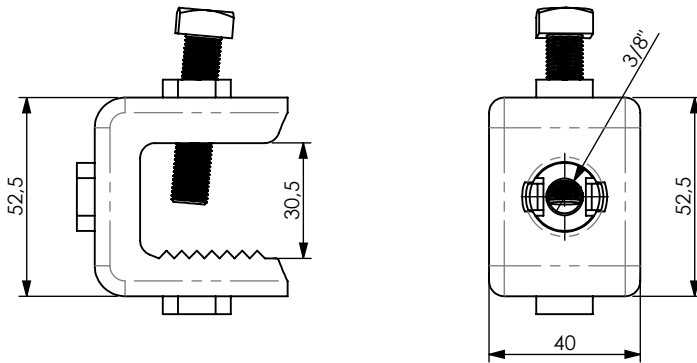


PRODUCT DATA SHEET



A) SPECIFICATIONS

Material:
Glass reinforced P.A.
U.V. Resistant
Halogen Free

B) RESISTANCE TESTS

Operating temperature: -30°C +120°C

C) PACKAGING INFORMATION

Packing in boxes.
Label indicating:
product code, article, quantity,
production batch,
FIMO logo and figure.
(Customer code on request).

D) INSTALLATION TORQUE

Tighten screw 0.8-1Nm Max

E) MOUNTING INSTRUCTIONS

On request

code	6125233038
article	MDM 3/8\"P

100	0.045kg.

RI	DATE	DR	DATE	AP	Description: MDM 3/8\"P=Plastic Universal Angle Adaptor 2 reduction 3/8\" and locking screw
02					
01					
00	27/02/24	G.S.	27/02/24	A.V.	
1 ST EMISSION					Use: Heavy Duty monobloc bidirectional plastic clamp available with three 3/4\" holes and slots for the installation with two plastic tie wraps to various structures like poles and pylons.