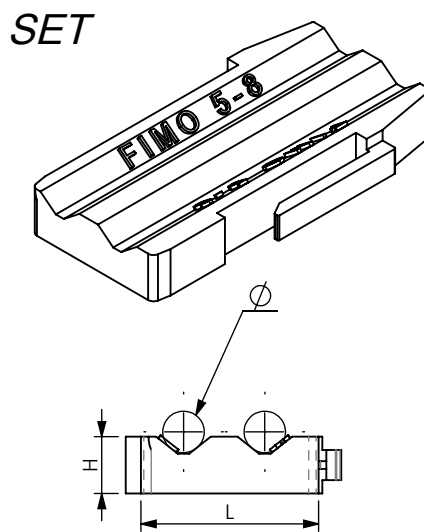
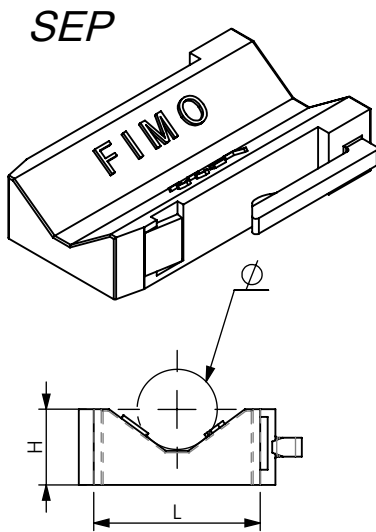


# PRODUCT DATA SHEET



**A) SPECIFICATIONS**  
P.A. U.V. resistant

**B) RESISTANCE TESTS**  
Operating temperature:  
-30°C + 120°C

**C) PACKAGING INFORMATION**  
Packing in boxes.  
Label indicating:  
product code, article, quantity,  
production batch,  
FIMO logo and figure.  
( Customer code on request ).

**D) MOUNTING INSTRUCTIONS**  
On request

CODE	ARTICLE	Ø CABLES	L	H	BOX	WEIGHT
60 3304 1230	SEP 12	6 - 12	12	7	100	3.5
60 3304 1625	SEP 25/16	9 - 16	22	10	100	5,5
60 3304 2230	SEP 22	12 - 22	22	10	100	5.5
60 3304 3430	SEP 34	22 - 34	34	13	100	9
60 3304 4630	SEP 46	34 - 46	46	15	50	16
60 3304 5830	SEP 58	46 - 58	58	19	50	21.5
60 3304 7030	SEP 70	58 - 70	70	19	50	22.5
60 3304 8030	SEP 80	70 - 80	80	20	25	28
60 3304 0825	SET 8x2	5 - 8	22	7.5	100	7.6
61 3304 2246	SET 46/22	10 - 22	46	10	100	12.1
61 3304 0746	SET 46/7	5 - 8	46	10	100	9.4

RI	DATE	DR	DATE	AP	Description:  <b>SEP-SET - "V" profile saddles</b>  The SEP saddles of OX cable clamps, have a large "V" Profile, that allows the fastening of a large range of cables and pipes..
02					
01	27/02/18	G.S.	27/02/18	A.V.	
		UPDATE			
00	15/12/16	G.S.	15/12/16	A.V.	
1 <sup>ST</sup> EMISSION					