

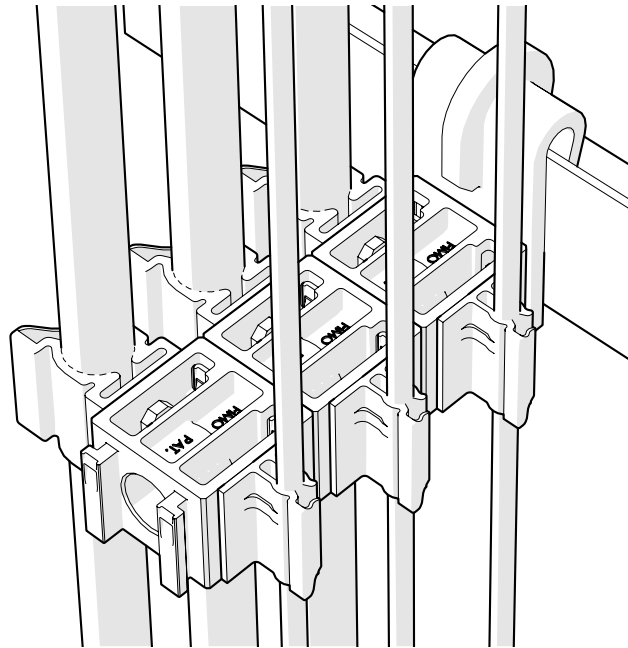
SDA

No Tools Cable Clamps

Copyright © Fi.Mo.Tec. S.p.A.
www.fimoworld.com

IST. 056 - REV. 0 - 12/16

INSTALLATION INSTRUCTIONS



⚠️ WARNINGS!

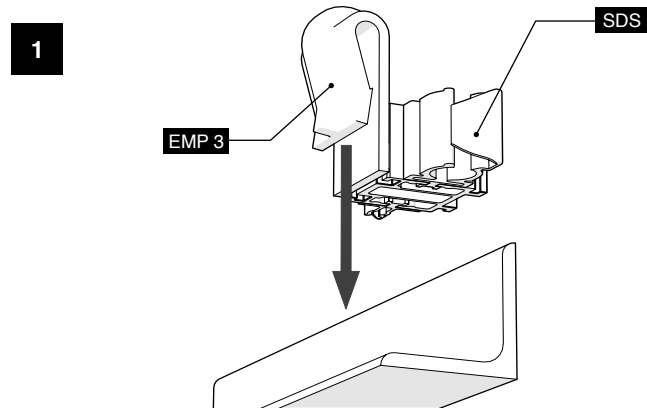
Installation of products must be performed by qualified, trained and experienced personnel. Installation personnel must be correctly and safely equipped. Mounting instructions and warnings must be read prior to installation. Warnings alert you to possible dangers about improper use of product. Failure to observe warnings may result in injury or death to you or others.



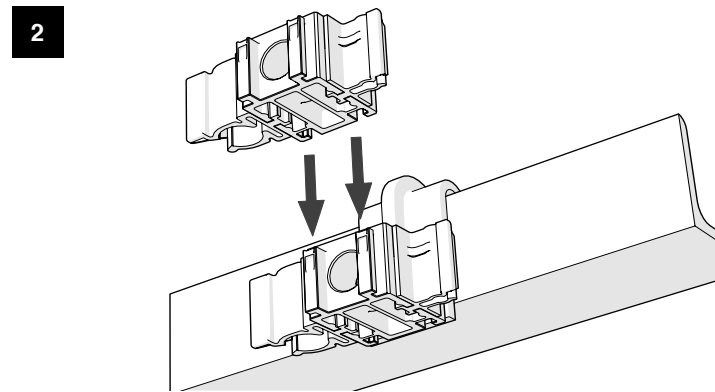
Fi.Mo.Tec. S.p.A.
is certificated ISO 9001
and RoHS DIRECTIVES
compliant.



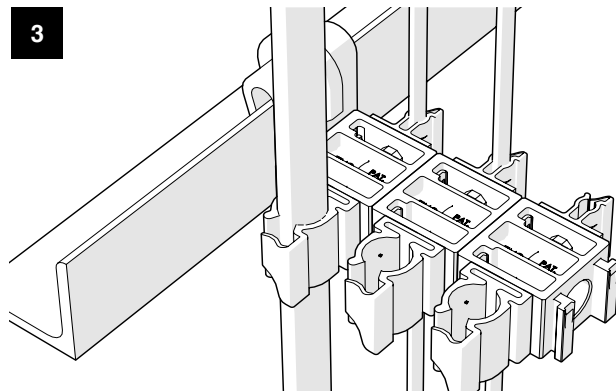
All rights reserved.
Passing on and copying of
this document, use and com-
munication of its contents
not permitted without Fi.Mo.
Tec. S.p.A. prior consent.



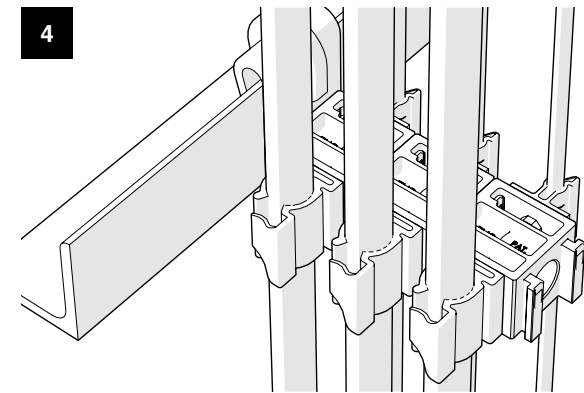
1 Insert the EMP 3 Snap-in clamp on the structure.



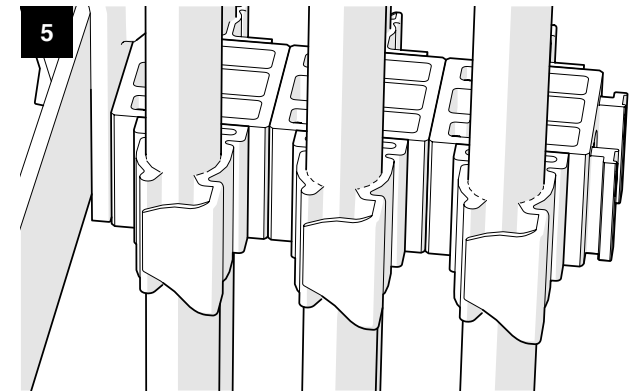
2 Add further SDS saddles as per necessity (max 6 saddles).



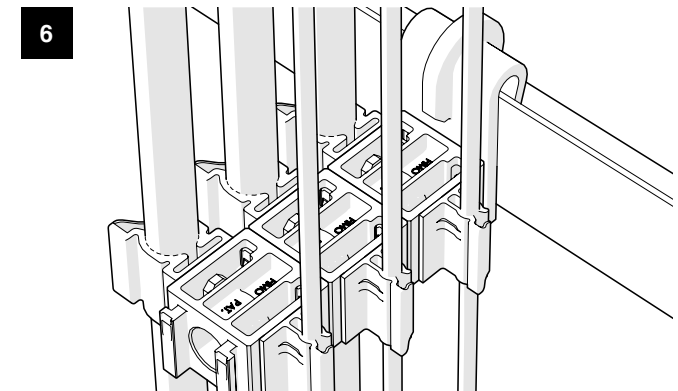
3 Insert the cables in the housing, starting from first saddle



4 Add all the cables



5 Verify correct position of security clip.



6 Easy installation finished in few seconds!