

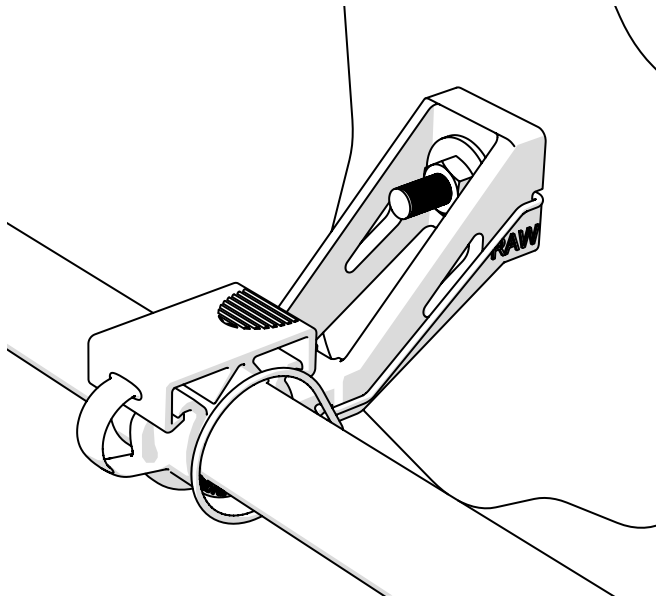
RAW+MF/MFI

Cable Clamps for Radiating Cables

Copyright © Fi.Mo.Tec. S.p.A.
www.fimoworld.com

IST. 043 - REV. 0 - 02/15

INSTALLATION INSTRUCTIONS



⚠️ WARNINGS!

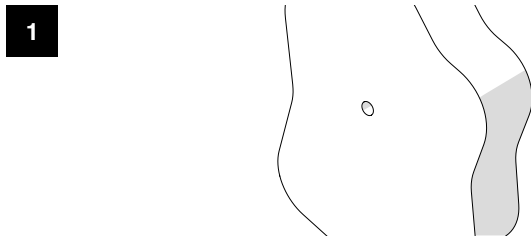
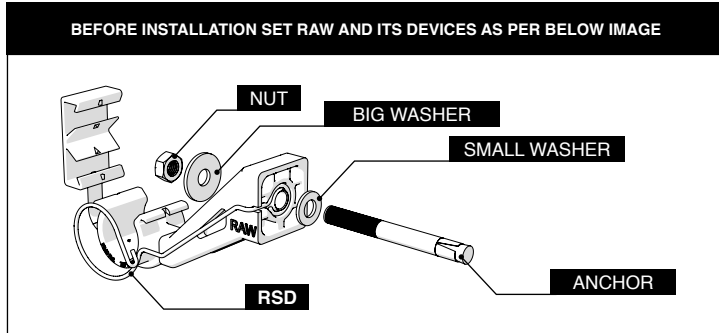
Installation of products must be performed by qualified, trained and experienced personnel. Installation personnel must be correctly and safely equipped. Mounting instructions and warnings must be read prior to installation. Warnings alert you to possible dangers about improper use of product. Failure to observe warnings may result in injury or death to you or others.



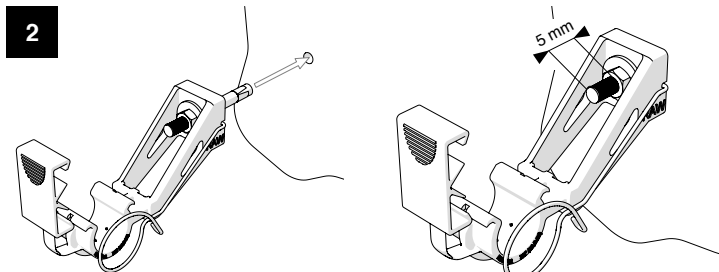
Fi.Mo.Tec. S.p.A. is certified ISO 9001 and RoHS DIRECTIVES compliant.



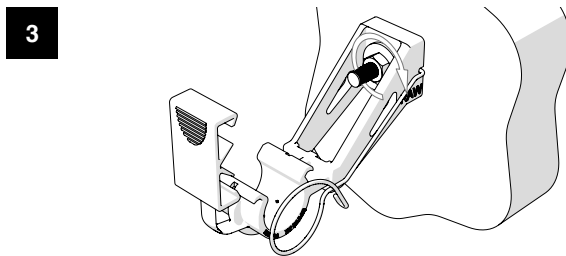
All rights reserved. Passing on and copying of this document, use and communication of its contents not permitted without Fi.Mo.Tec. S.p.A. prior consent.



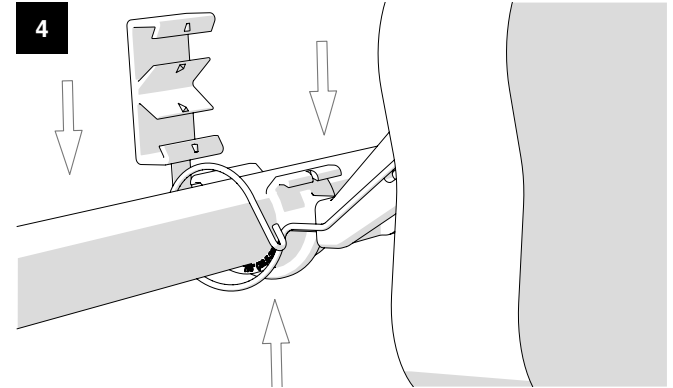
Drill a Ø 6-8mm hole in accordance with anchor MF/MFI Ø - Clean the hole



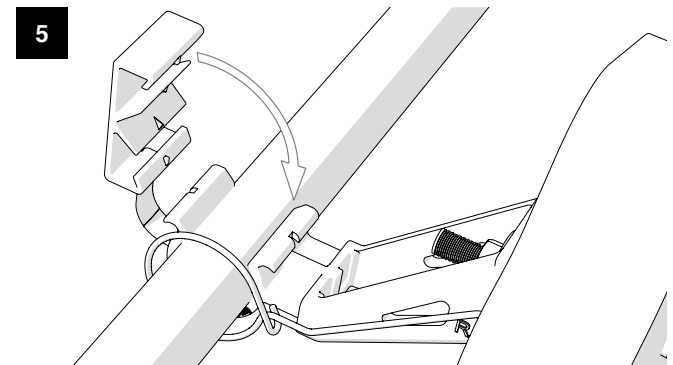
Insert the MF/MFI anchor in the hole with the RAW clamp, leaving 5mm prominent from nut. If necessary use a hammer to facilitate insertion



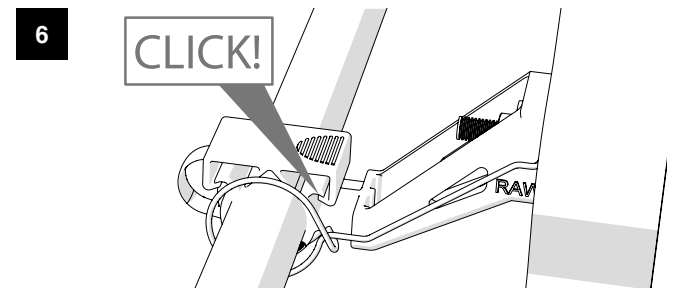
Tighten the nut (4-5 Nm) for complete lock



Insert cable into RSD security device*, and then insert cable into RAW clamp contrasting from below



Close RSD around the cable*, place RAW outer bracket end



Close RAW bracket over cable with a CLICK! at inner end

*Where RSD provided

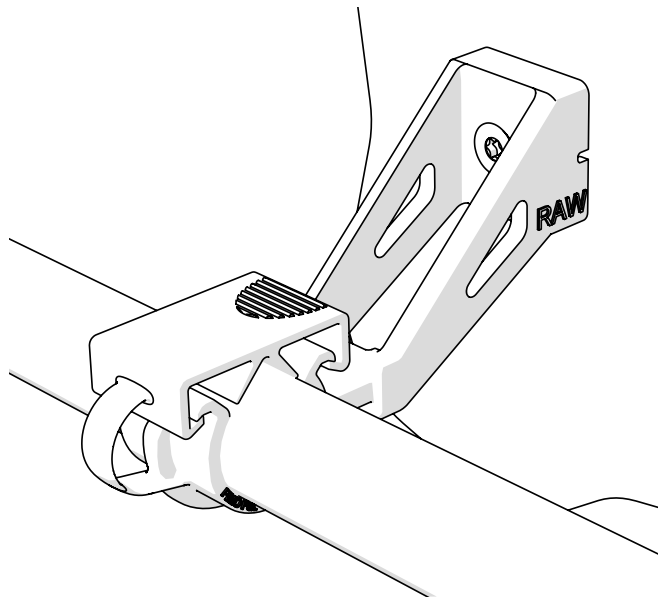
RAW+R8-80/R10-80

Cable Clamps for Radiating Cables

Copyright © Fi.Mo.Tec. S.p.A.
www.fimoworld.com

IST. 043 - REV. 0 - 02/15

INSTALLATION INSTRUCTIONS



⚠ WARNINGS!

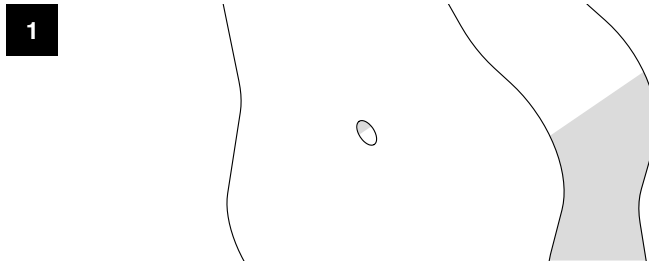
Installation of products must be performed by qualified, trained and experienced personnel. Installation personnel must be correctly and safely equipped. Mounting instructions and warnings must be read prior to installation. Warnings alert you to possible dangers about improper use of product. Failure to observe warnings may result in injury or death to you or others.



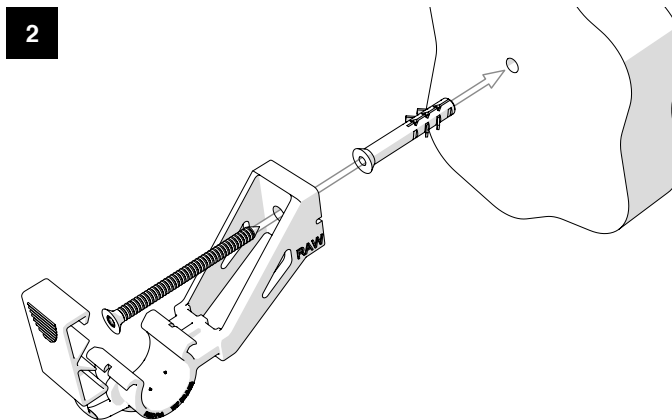
Fi.Mo.Tec. S.p.A. is certificated ISO 9001 and RoHS DIRECTIVES compliant.



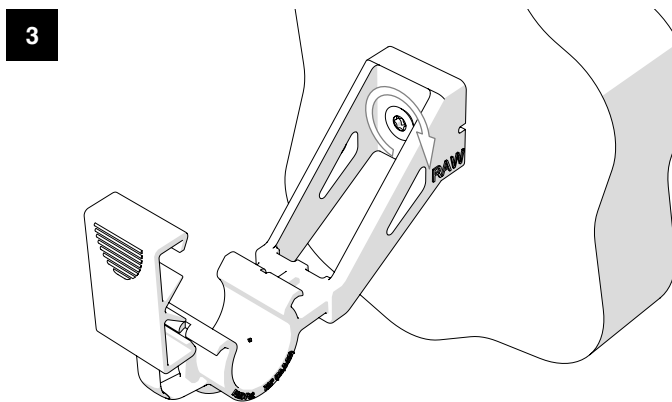
All rights reserved. Passing on and copying of this document, use and communication of its contents not permitted without Fi.Mo.Tec. S.p.A. prior consent.



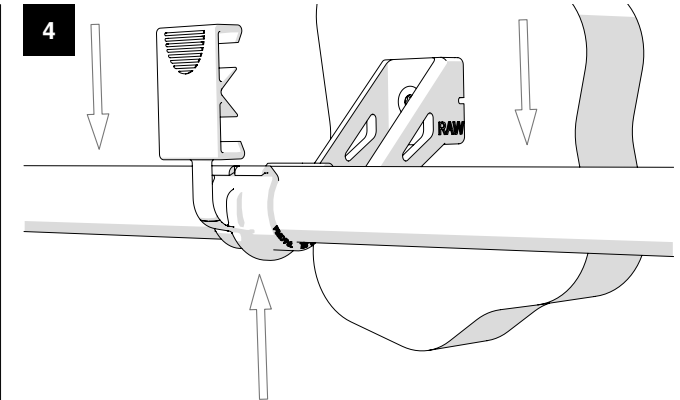
1 Drill a Ø 8-10mm hole in accordance with plug Ø - Clean the hole



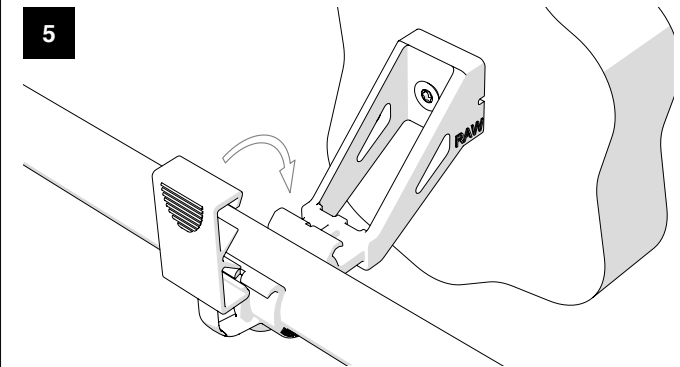
2 Insert R8-80 / R10-80 plug in the hole



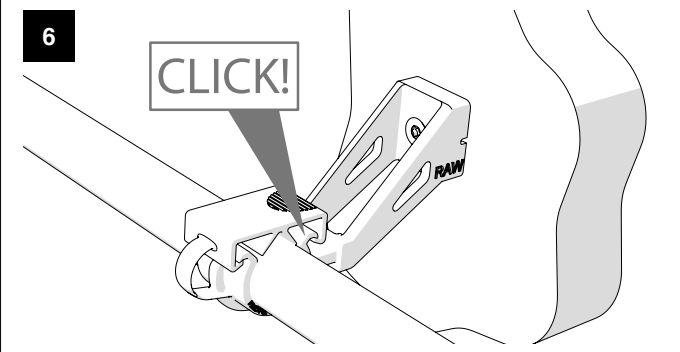
3 Tighten the screw (4-5 Nm) for complete lock



4 Insert cable into RAW clamp contrasting from below



5 Place RAW outer bracket end



6 Close RAW bracket over cable with a **CLICK!** at inner end