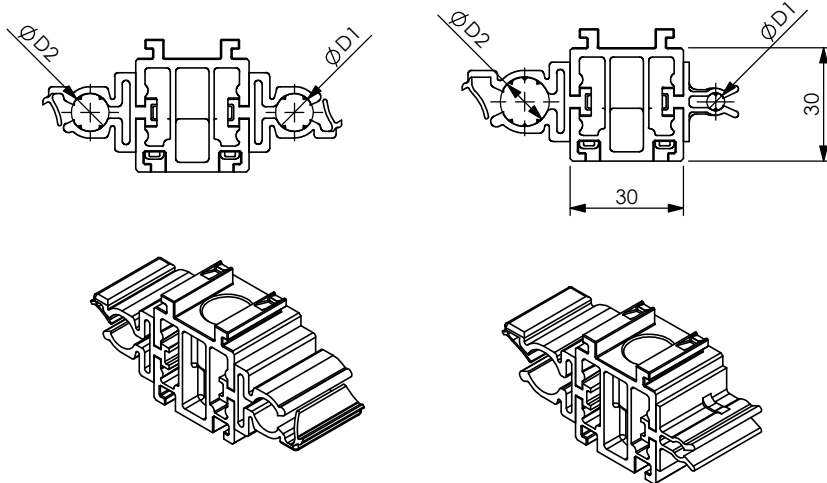


PRODUCT DATA SHEET



A) SPECIFICATIONS

P.A. U.V. resistant
(-30 +120°C)

B) RESISTANCE TESTS

Operating temperature: -30 +120°C
Installation temperature: 0 +70°C

C) PACKAGING INFORMATION

Packing in boxes.
Label indicating:
product code, article, quantity,
production batch,
FIMO logo and figure.
(Customer code on request).

D) MOUNTING INSTRUCTIONS

On request

SDS M					
CODE	ARTICLE	Ø D1	Ø D2	BOX	WEIGHT
Standard Line					
6133160207	SDS M 1x7+1x7	5 - 7	5 - 7	20	22
6133160210	SDS M 1x10+1x10	7 - 10	7 - 10	20	22
6133160211	SDS M 1x11+1x11	8 - 11	8 - 11	20	22
6133160213	SDS M 1x13+1x13	10 - 13	10 - 13	20	22
6133160216	SDS M 1x16+1x16	13 - 16	13 - 16	20	22
6133160217	SDS M 1x17+1x17	14 - 17	14 - 17	20	22
6133160220	SDS M 1x20+1x20	17 - 20	17 - 20	20	22
Hybrid Saddles					
6133162007	SDS M 1x20+1x7	17 - 20	5 - 7	20	22
6133162010	SDS M 1x20+1x10	17 - 20	7 - 10	20	22
6133162011	SDS M 1x20+1x11	17 - 20	8 - 11	20	22
6133162013	SDS M 1x20+1x13	17 - 20	10 - 13	20	22
6133162017	SDS M 1x20+1x17	17 - 20	14 - 17	20	22
6133161707	SDS M 1x17+1x7	14 - 17	5 - 7	20	22
6133161710	SDS M 1x17+1x10	14 - 17	7 - 10	20	22
6133161711	SDS M 1x17+1x11	14 - 17	8 - 11	20	22
6133161713	SDS M 1x17+1x13	14 - 17	10 - 13	20	22
6133161307	SDS M 1x13+1x7	10 - 13	5 - 7	20	22
6133161310	SDS M 1x13+1x10	10 - 13	7 - 10	20	22
6133161311	SDS M 1x13+1x11	10 - 13	8 - 11	20	22
6133161110	SDS M 1x11+1x10	8 - 11	7 - 10	20	22
6133161107	SDS M 1x11+1x7	8 - 11	5 - 7	20	22
6133161007	SDS M 1x10+1x7	7 - 10	5 - 7	20	22
6133163535	SDS M 3x4.5+3x4.5	3 - 4.5	3 - 4.5	20	22

RI	DATE	DR	DATE	AP	Description: SDS M No-tools stackable double saddle. Fixing of fiber optic and power cables without the use of threaded bars, washers and nuts
02	20/10/21	G.S.	20/10/21	A.V.	
01	18/10/18	G.S.	18/10/18	A.V.	
00	09/05/2017	E.B.	09/05/2017	A.V.	
1 ST EMISSION					

