

PRODUCT DATA SHEET

A) SPECIFICATIONS

- 1 SEB double saddle P.P. black
- 2 Threaded bar - BFI M8 (SS)
- 3 Washers (SS)
- 4 Hexagonal Nuts M8 (SS)
- 5 PRUC - pressure plate (SS)

B) RESISTANCE TESTS

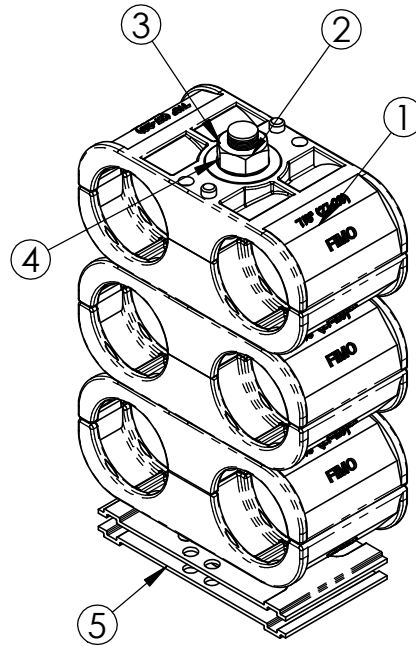
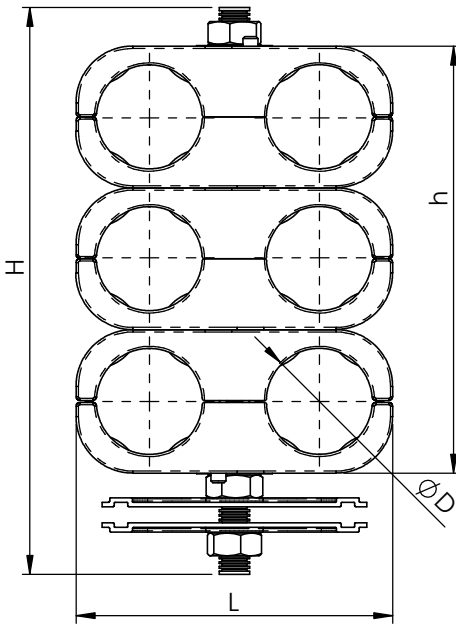
- UV Test BS-ISO 105-B06
- Vibration test conforming to UNI 60068-2-6
- Operating temperature: -30°C +120°C

C DELIVERY MODALITIES

- Packing in boxes.
- Label indicating:
product code, article, quantity,
production batch,
FIMO logo and figure.
(Customer code on request).

D) MOUNTING INSTRUCTIONS



on request



CODE	ARTICLE	ø D	L	h	H	BOX	WEIGHT
61 1587 0608	UML 6x8	7 - 8	51	60	100	20	166
61 1587 0609	UML 6x9	8 - 9	51	60	100	20	166
61 1587 0611	UML 6x11	10 - 11	51	60	100	20	166
61 1587 0613	UML 6x13	12 - 13	60	81	125	20	207
61 1587 0614	UML 6x1/2" S*	13 - 14	60	81	125	20	207
61 1587 0612	UML 6x1/2" (17)	16 - 17	60	81	125	20	207
61 1587 0658	UML 6x5/8" (23)	21 - 23	84	111	150	20	292
61 1587 0678	UML 6x7/8" (28)	27 - 28	84	111	150	20	292
61 1587 6114	UML 6x1.1/4" (40)	39 - 40	108	162	200	20	360
61 1587 6158	UML 6x1.5/8" (52)	50 - 52	133	198	250	20	441

article

UML 6

RI	DATE	DR	DATE	AP	Description:
02					Twin clamps for steel wire-mesh cable trays For 6 coaxial cables, complete with 6 calibrated saddles. For articles see schedule.
01					
00	13/04/16	G.S.	13/04/16	A.V.	
1 ST EMISSION					
					
Use:					Fastening of 6 coaxial cables on wire-mesh cable trays