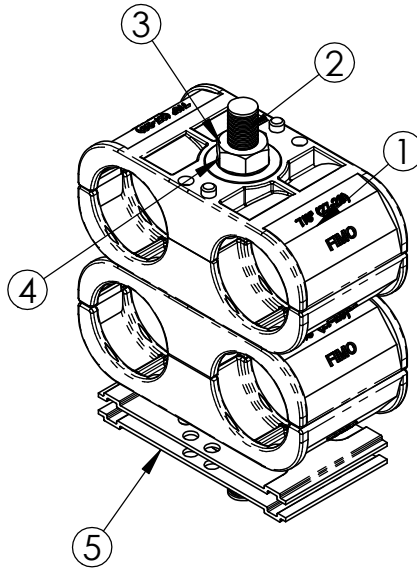
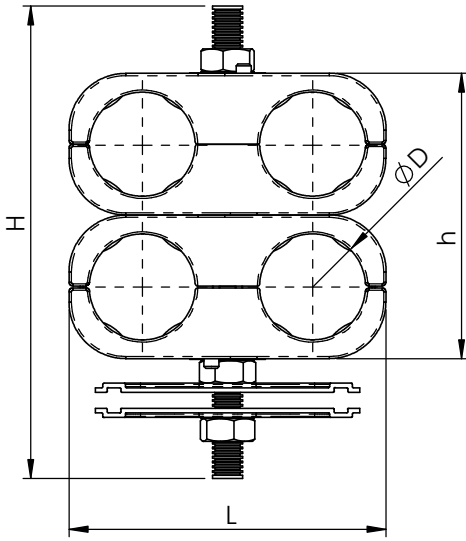


PRODUCT DATA SHEET



A) SPECIFICATIONS

- 1 SEB double saddle P.P. black
- 2 Threaded bar - BFI M8 (SS)
- 3 Washers (SS)
- 4 Hexagonal Nuts M8 (SS)
- 5 PRUC - pressure plate (SS)

B) RESISTANCE TESTS

- UV Test BS-ISO 105-B06
- Vibration test conforming to UNI 60068-2-6
- Operating temperature: -30°C +120°C

C DELIVERY MODALITIES

- Packing in boxes.
- Label indicating:
product code, article, quantity,
production batch,
FIMO logo and figure.
(Customer code on request).

D) MOUNTING INSTRUCTIONS

on request

CODE	ARTICLE	ø D	L	h	H	BOX	WEIGHT
61 1587 0408	UML 4x8	7 - 8	51	40	75	20	135
61 1587 0409	UML 4x9	8 - 9	51	40	75	20	135
61 1587 0411	UML 4x11	10 - 11	51	40	75	20	135
61 1587 0413	UML 4x13	12 - 13	60	54	100	20	162
61 1587 0414	UML 4x1/2" S*	13 - 14	60	54	100	20	162
61 1587 0412	UML 4x1/2" (17)	16 - 17	60	54	100	20	162
61 1587 0458	UML 4x5/8" (23)	21 - 23	84	74	125	20	162
61 1587 0478	UML 4x7/8" (28)	27 - 28	84	74	125	20	234
61 1587 4114	UML 4x1.1/4" (40)	39 - 40	108	108	150	20	279
61 1587 4158	UML 4x1.5/8" (52)	50 - 52	133	132	200	20	279

article **UML 4**

RI	DATE	DR	DATE	AP	Description:
02					Twin clamps for steel wire-mesh cable trays For 4 coaxial cables, complete with 4 calibrated saddles. For articles see schedule.
01					
00	13/04/16	G.S.	13/04/16	A.V.	
1 ST EMISSION					
					Use: Fastening of 4 coaxial cables on wire-mesh cable trays