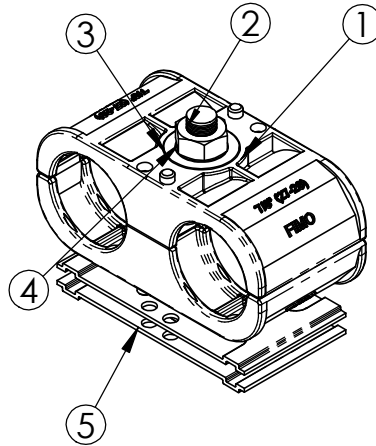
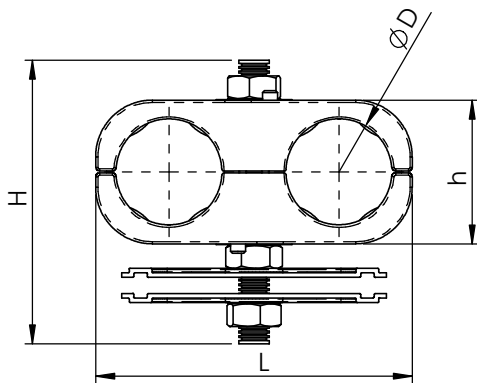


# PRODUCT DATA SHEET



## A) SPECIFICATIONS

- 1 SEB double saddle P.P. black
- 2 Threaded bar - BFI M8 (SS)
- 3 Washers (SS)
- 4 Hexagonal Nuts M8 (SS)
- 5 PRUC - pressure plate (SS)

## B) RESISTANCE TESTS

UV Test BS-ISO 105-B06  
 Vibration test conforming to UNI 60068-2-6  
 Operating temperature: -30°C +120°C

## C) DELIVERY MODALITIES

Packing in boxes.  
 Label indicating:  
 product code, article, quantity,  
 production batch,  
 FIMO logo and figure.  
 ( Customer code on request ).

## D) MOUNTING INSTRUCTIONS

on request

CODE	ARTICLE	Ø D	L	h	H	BOX	WEIGHT
61 1587 0208	UML 2x8	7 - 8	51	20	75	20	112
61 1587 0209	UML 2x9	8 - 9	51	20	75	20	112
61 1587 0211	UML 2x11	10 - 11	51	20	75	20	112
61 1587 0213	UML 2x13	12 - 13	60	27	75	20	125
61 1587 0214	UML 2x1 1/2" S*	13 - 14	60	27	75	20	125
61 1587 0212	UML 2x1 1/2" (17)	16 - 17	60	27	75	20	125
61 1587 0258	UML 2x5/8" (23)	21 - 23	84	37	75	20	166
61 1587 0278	UML 2x7/8" (28)	27 - 28	84	37	75	20	166
61 1587 2114	UML 2x1.1/4" (40)	39 - 40	108	54	100	20	198
61 1587 2158	UML 2x1.5/8" (52)	50 - 52	133	66	125	20	162

article **UML 2**

RI	DATE	DR	DATE	AP	Description:
02					<b>Twin clamps for steel wire-mesh cable trays</b> For 2 coaxial cables, complete with 2 calibrated saddles. For articles see schedule.
01					
00	13/04/16	G.S.	13/04/16	A.V.	
1 <sup>ST</sup> EMISSION					
					Use:  Fastening of 2 coaxial cables on wire-mesh cable trays