

PRODUCT DATA SHEET

A) SPECIFICATIONS

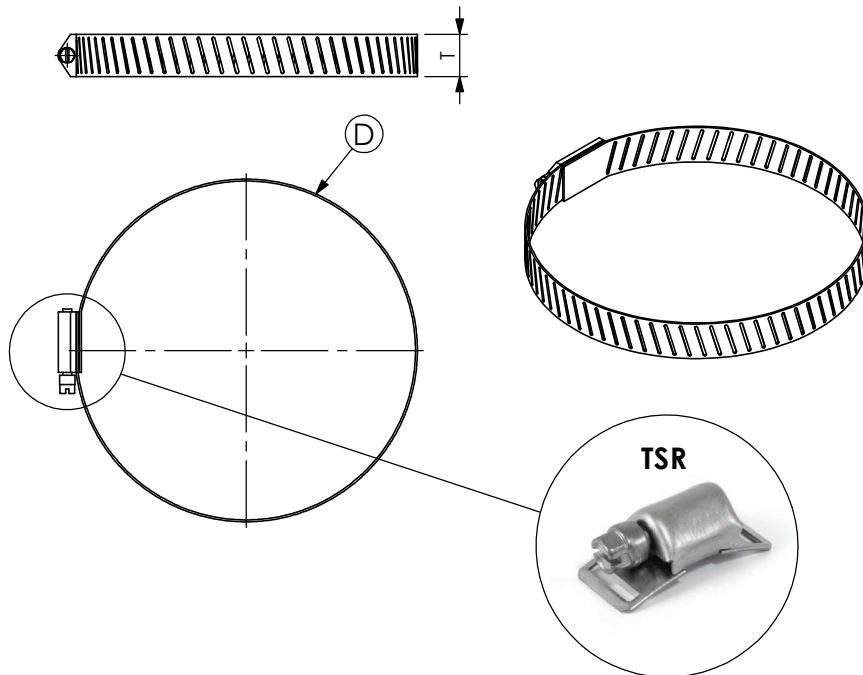
Stainless steel Endless Hose clamps

B) ACCEPTANCE TEST

Visual and dimensional control on samples

C) PACKAGING INFORMATION

Packing in boxes.
Label indicating:
product code, article, quantity,
production batch,
FIMO logo and figure.
(Customer code on request).



CODE	ARTICLE	LENGTH	øD	T	BAG	BOX	WEIGHT
61 9000 5015	FAU 150/14	0,6 m	50 - 150	14	10 FAU + 10 TSR	50	605
61 9000 5080	FAU 800/14	3 m	-	14	1 FAU + 6 TSR	50	330
61 9000 5200	FAU 2000/14	2 m	-	14	10 FAU + 10 TSR	50	1625
61 9000 3725	FAL 14/25	25 m	-	14	1 FAL	1	1600
61 9000 0014	TSR	-	-	14	50 TSR	1	1000

RI	DATE	DR	DATE	AP	Description:
02					FAU/FAL Endless hose clamps
01					
00	29/01/16	G.S.	29/01/16	A.V.	
1 ST EMISSION					
					Use: Steel strip to be cut to measure. Package: steel strip + TSR locking screws.