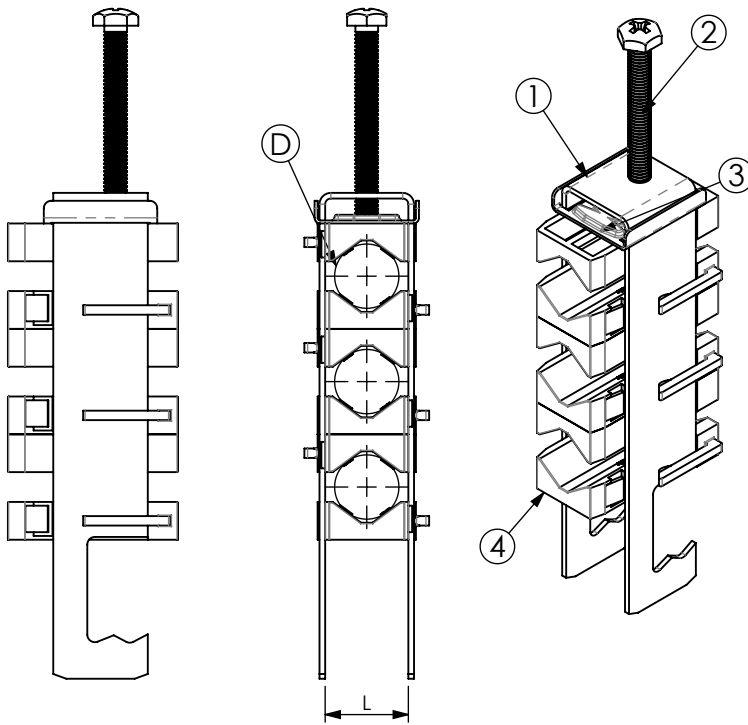


# PRODUCT DATA SHEET



## A) SPECIFICATIONS

- 1 Stainless steel bow
- Hooking on  $\Phi$  8-25 round and 3-25mm flat
- 2 Self-locking pressure screw M6
- 3 Stainless steel sliding pressure plate.
- 4 SEP black P.A. fiberglass saddles

## B) RESISTANCE TESTS

UV Test BS-ISO 105-B06  
 Vibration test conforming to UNI 60068-2-6  
 Operating temperature: -30°C +120°C



## C) PACKAGING INFORMATION

Packing in boxes.  
 Label indicating:  
 product code, article, quantity,  
 production batch,  
 FIMO logo and figure.  
 ( Customer code on request ).

## D) MOUNTING INSTRUCTIONS

IST026

CODE	ARTICLE	N° CABLES	L	ø CABLES	BOX	WEIGHT
60 1516 1099	OX M / 3 x 12	3	12	6 - 12	100	79
60 1516 1110	OX M / 3 x 22	3	22	12 - 17	50	128
60 1516 1111	OX M / 3 x 22	3	22	17 - 22	50	137
60 1516 1112	OX M / 3 x 34	3	34	22 - 26	25	213
60 1516 1113	OX M / 3 x 34	3	34	26 - 34	25	233

RI	DATE	DR	DATE	AP	Description:
02					Stainless cable clamps type OX M For 3 coaxial cables, complete with 6 saddles. For articles see schedule.
01	02/12/2021	G.S.	02/12/2021	A.V.	
UPDATE BOX QUANTITY					
00	29/01/16	G.S.	29/01/16	A.V.	
1 <sup>ST</sup> EMISSION					Use:
					Fastening of 3 coaxial cables. Hooking on $\Phi$ 8-25 round and 3-25mm flat