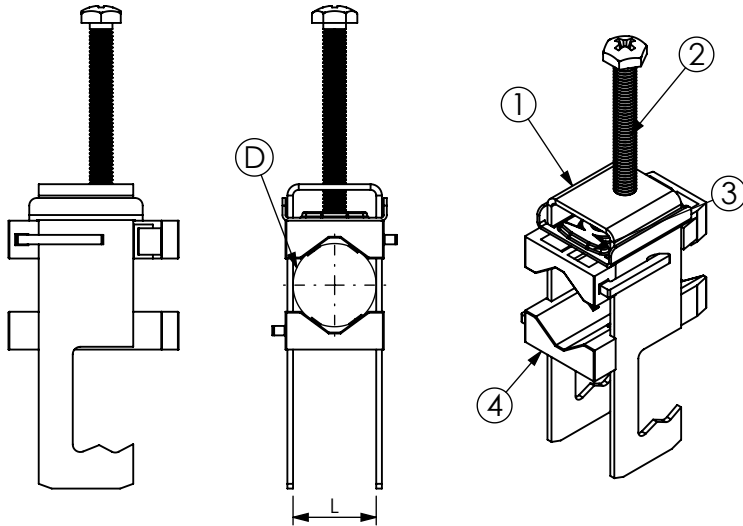


PRODUCT DATA SHEET



A) SPECIFICATIONS

- 1 Stainless steel bow
Hooking on \varnothing 8-25 round and 3-25mm flat
- 2 Self-locking pressure screw M6
- 3 Stainless steel sliding pressure plate.
- 4 SEP black P.A. fiberglass saddles

B) RESISTANCE TESTS

UV Test BS-ISO 105-B06
 Vibration test conforming to UNI 60068-2-6
 Operating temperature: -30°C +120°C

C) PACKAGING INFORMATION

Packing in boxes.
 Label indicating:
 product code, article, quantity,
 production batch,
 FIMO logo and figure.
 (Customer code on request).

D) MOUNTING INSTRUCTIONS

IST026

CODE	ARTICLE	N° CABLES	L	ø CABLES	BOX	WEIGHT
60 1516 1081	OX M / 1 x 12	1	12	6 - 12	100	50
60 1516 1083	OX M / 1 x 22	1	22	12 - 22	100	68
60 1516 1085	OX M / 1 x 34	1	34	22 - 34	50	106
60 1516 1087	OX M / 1 x 46	1	46	34 - 46	50	136
60 1516 1089	OX M / 1 x 58	1	58	46 - 58	50	160
60 1516 1091	OX M / 1 x 70	1	70	58 - 70	50	180

RI	DATE	DR	DATE	AP	Description:
02					Stainless cable clamps type OX M For 1 coaxial cable, complete with 2 saddles. For articles see schedule.
01	02/12/2021	E.N.	02/12/2021	A.V.	
UPDATED BOX QUANTITY					
00	29/01/16	G.S.	29/01/16	A.V.	
1 ST EMISSION					Use:
					Fastening of 1 coaxial cable. Hooking on \varnothing 8-25 round and 3-25mm flat