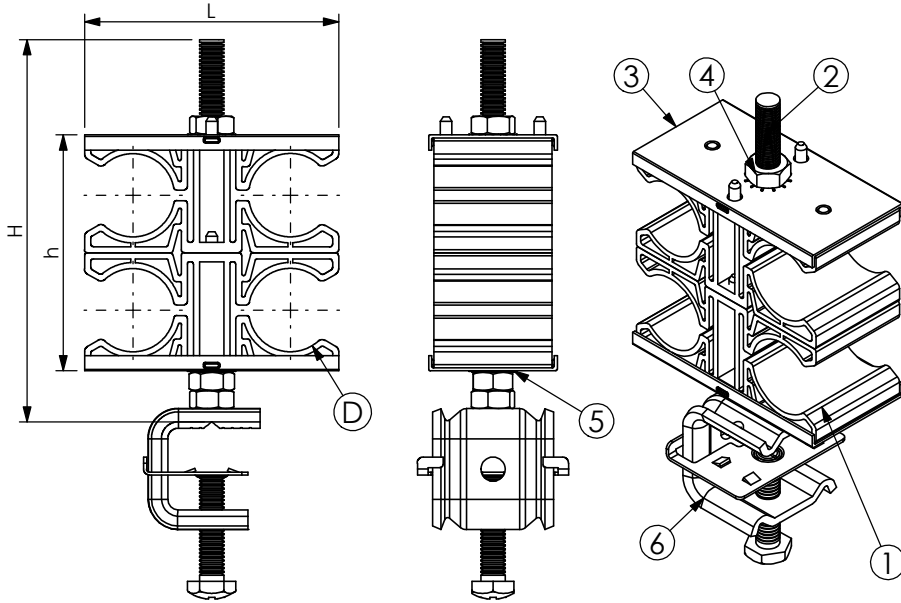


# PRODUCT DATA SHEET



## A) SPECIFICATIONS

- 1 Calibrated twin black saddles made in H.D.P.E
- 2 Stainless steel threaded bar BFI M8
- 3 Stainless steel pressure plate PSAL
- 4 Stainless steel hexagonal nut DAI 8
- 5 Stainless steel flat Washer REI 8
- 6 MCM 8 compact clamp

## B) RESISTANCE TESTS

UV Test BS-ISO 105-B06  
 Vibration test conforming to UNI 60068-2-6  
 Operating temperature: -30°C +120°C

## C) PACKAGING INFORMATION

Packing in boxes.  
 Label indicating:  
 product code, article, quantity,  
 production batch,  
 FIMO logo and figure.  
 ( Customer code on request ).

## D) MOUNTING INSTRUCTIONS

On request

61 1563 4012	LCC/ 4x1/2"	15 - 17	62	100	54	20	270
61 1563 4078	LCC/ 4x7/8"	27 - 29	84	125	79	20	290
61 1563 4114	LCC/ 4x1.1/4"	38 - 40	102	150	103	20	350
61 1563 4158	LCC/ 4x1.5/8"	50 - 52	119	200	125	20	390

RI	DATE	DR	DATE	AP	Description:
02					<b>LCC - LCO+MCM 8 compact clamp</b>  <ul style="list-style-type: none"> <li>• Side Insertion of Cables</li> <li>• Elastic Prefixing</li> <li>• Manual Final Locking</li> </ul>
01					
00	03/11/2015	G.S.	03/11/2015	A.V.	
1 <sup>ST</sup> EMISSION					
					<b>Use:</b>  Fastening of 4 cables on flat, round an angular