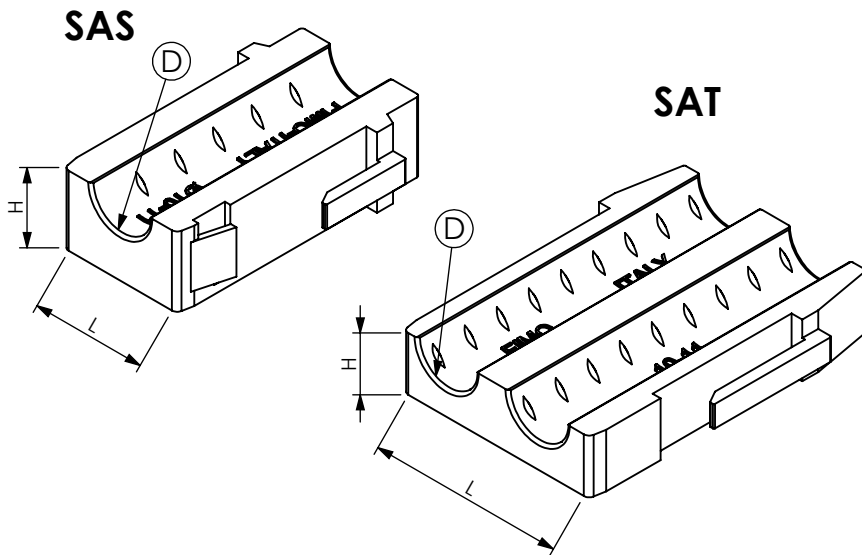


PRODUCT DATA SHEET



A) SPECIFICATIONS

P.A. U.V. resistant

B) RESISTANCE TESTS

Operating temperature: -30°C + 120°C

C) PACKAGING INFORMATION

Packing in boxes.
Label indicating:
product code, article, quantity,
production batch,
FIMO logo and figure.
(Customer code on request).

D) MOUNTING INSTRUCTIONS

On request

CODE	ARTICLE	ø D	L	H	BAG	BOX	WEIGHT
61 3307 3006	SAS 1x6	5 - 6	12	7.5	50	500	4
61 3307 3007	SAS 1x7	6 - 7	12	7.5	50	500	4
61 3307 3008	SAS 1x8	7 - 8	12	7.5	50	500	4
61 3307 3009	SAS 1x9	8 - 9	12	7.5	50	500	3
61 3307 3091	SAS 1x9 M	9 - 10	12	7.5	50	500	3
61 3307 3010	SAS 1x10	10 - 11	12	7.5	50	500	3
61 3307 3011	SAS 1x11	10 - 11	22	13.5	50	500	10
61 3307 1012	SAS 1x12	11 - 12	22	13.5	50	500	10
61 3307 3013	SAS 1x13	12 - 13	22	13.5	50	500	10
61 3307 3014	SAS 1x1/2"S (14)	13 - 14	22	13.5	50	500	10
61 3307 3015	SAS 1x15	14 - 15	22	13.5	50	500	10
61 3307 3038	SAS 1x3/8" (16)	15 - 16	22	13.5	50	500	10
61 3307 3012	SAS 1x1/2" (17)	16 - 17	22	13.5	50	500	8
61 3307 3058	SAS 1x5/8" (23)	21 - 23	34	19	50	500	16
61 3307 3027	SAS 1x7/8"S (27)	26 - 27	34	19	50	500	16
61 3307 3078	SAS 1x7/8" (28)	27 - 28	34	19	50	500	16
61 3307 3178	SAS 1x7/8"M (30)	29 - 30	34	19	50	500	14
61 3307 3118	SAS 1x1.1/8" (38)	36 - 38	46	25.5	50	500	26
61 3307 3114	SAS 1x1.1/4" (40)	39 - 40	46	25.5	50	500	26
61 3307 0148	SAS 1x1.5/8"S (49)	48 - 49	58	32	50	100	34
61 3307 3158	SAS 1x1.5/8" (52)	50 - 52	58	32	50	100	34
61 3307 3060	SAS 1x2.1/4" (60)	59 - 60	70	37.5	50	100	38
61 3307 3062	SAS 1x62	60 - 62	70	37.5	50	100	40
61 3307 3074	SAS 1x3" (72)	72 - 74	80	45	50	100	57
61 3307 3076	SAS 1x3" M (76)	74 - 76	80	45	50	100	59
61 3307 3205	SAT 2x5	4 - 5	22	7	50	500	13
61 3307 3255	SAT 2x5 M	4.5 - 5.5	22	7	50	500	13
61 3307 3206	SAT 2x6	5 - 6	22	7	50	500	13
61 3307 3208	SAT 2x8	7 - 8	22	7	50	500	13
61 3307 3209	SAT 2x9	8 - 9	22	7	50	500	11
61 3307 3211	SAT 2x11	10 - 11	34	10	50	500	10
61 3307 3212	SAT 2x1/2" (17)	16 - 17	46	13	50	500	16
61 3307 3227	SAT 2x7/8"S (27)	26 - 27	70	19	50	100	30
61 3307 3278	SAT 2x7/8" (28)	27 - 28	70	19	50	100	30

RI	DATE	DR	DATE	AP	Description:
02					<p><i>SAS- Single calibrated Saddles</i> <i>SAT- Twin calibrated Saddles</i></p> <p>The SAS and SAT saddles are supplied with the sRF cable clamps and RF Q collars. The internal indentation allows gripping on the cable without compressing nor deforming it. The closure of the cables is calibrated.</p>
01	30/08/21	G.S.	30/08/23	A.V.	
	updated				
00	15/12/16	G.S.	15/12/16	A.V.	
1 ST EMISSION					