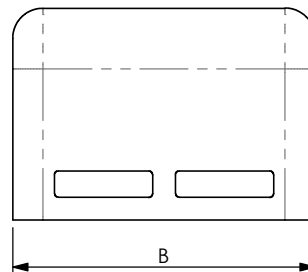
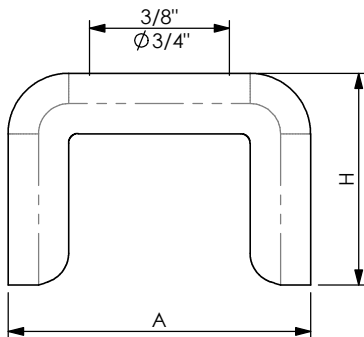


PRODUCT DATA SHEET



MATERIAL

Body	P.A. U.V. Resistant
Colour	Black



CODE	ARTICLE	A	B	H	BAG	BOX	WEIGHT (gr)
61 1807 2819	SHA 28-3/4" P	40	40	28	10	100	15

RI	DATE	DR	DATE	AP	Description:
02					SHA P- Plastic Single Hanger Adaptor Use: SHA P plastic single hanger adaptor is a socle to be applied with two plastic tie wraps to various structures like poles and pylons. Available with a 3/4" hole to be used in combination with SIC P and SIC H snap-in clamps or with ISP 3/4" – 3/8" V reduction insert.
01					
00	17/09/20	G.S.	17/09/20	A.V.	
1 ST EMISSION					